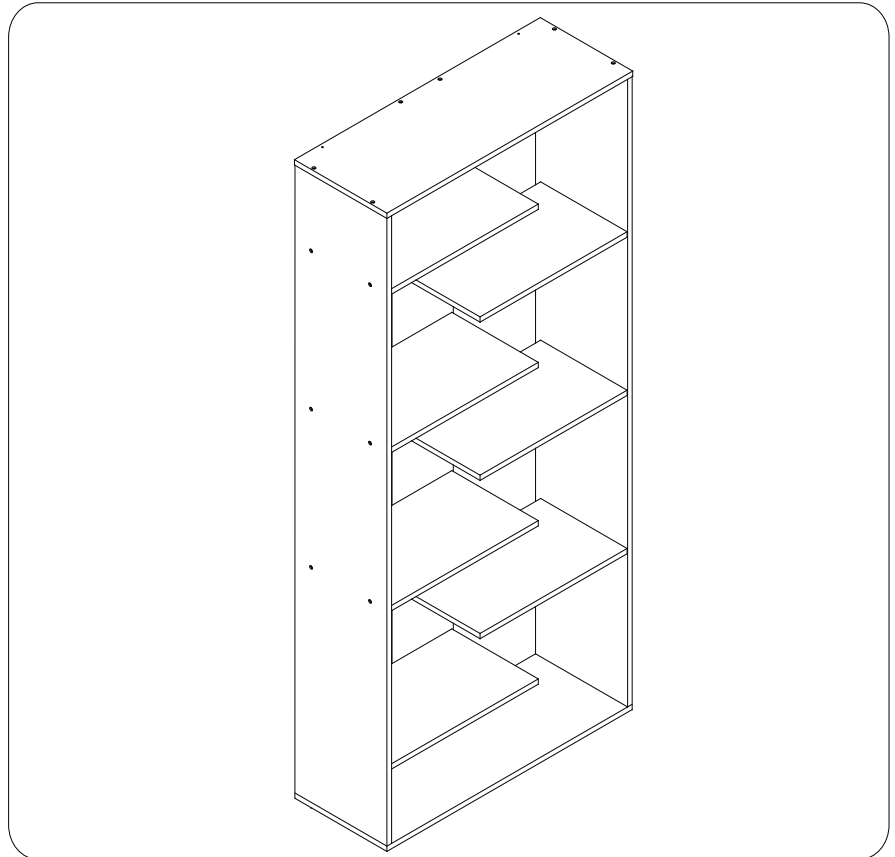



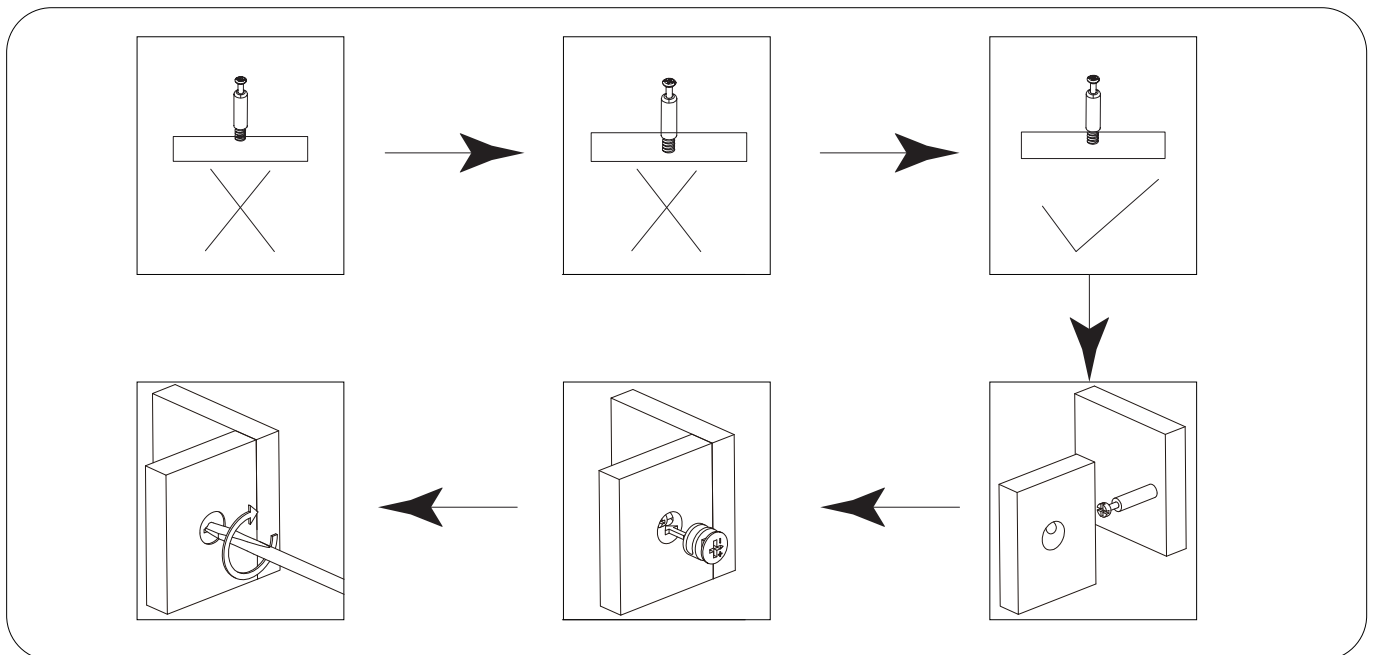
**WARNING:** Any furniture that is not anchored to a wall has the potential to tip over in certain circumstances, i.e. if a child attempts to climb up on the furniture or in the event of an earthquake. Accordingly, we recommend that all furniture is anchored to a wall. We supply a free safety wall bracket with all furniture sold and we recommend these are used to prevent your product tipping. The fixing device provided should fit most wall types, but please note that different wall materials may require different fixing devices from those supplied.

# ASSEMBLY INSTRUCTION

FZ0070022 V.220322.01



 Scanning the QR code to open assembly instructions.





A X1PC



B X1PC



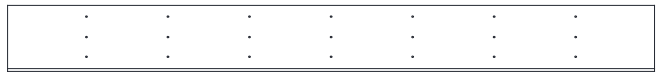
C X1PC



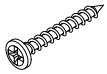



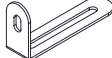


D X1PC



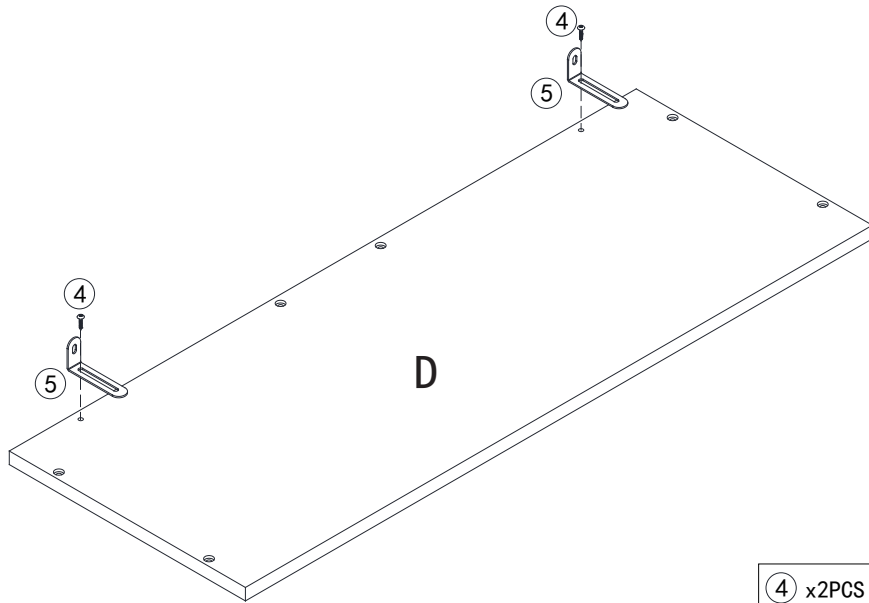
E X7PCS





F X1PC

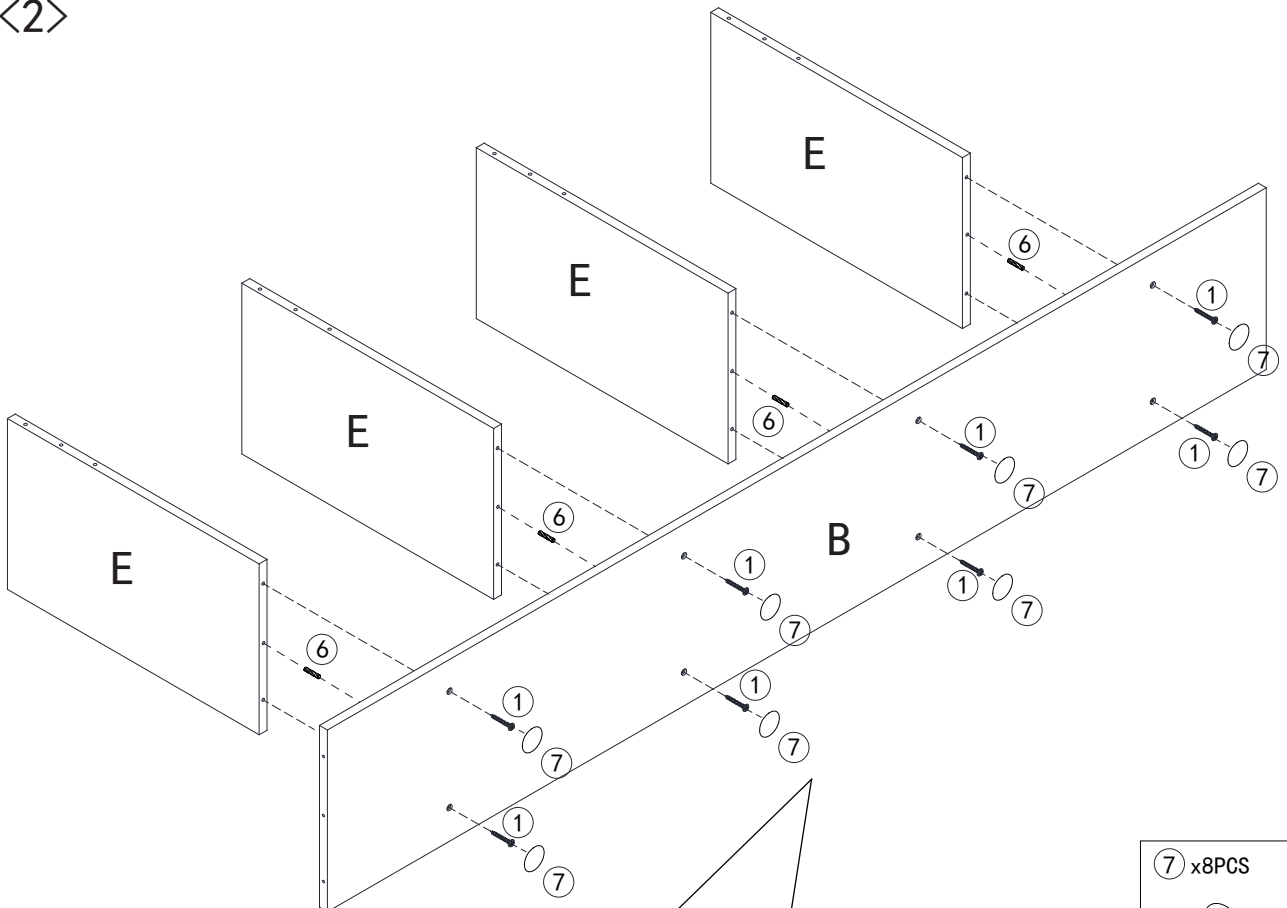
<p>① x33PCS</p>  <p>Ø 5x45mm</p>	<p>② x2PCS</p>  <p>Ø 4x35mm</p>	<p>③ x2PCS</p> 	<p>④ x2PCS</p>  <p>Ø 4x12mm</p>	<p>⑤ x2PCS</p> 	<p>⑥ x25PCS</p>  <p>Ø 6x30mm</p>	<p>⑦ x20PCS</p> 
---	--	--	--	--	--	---

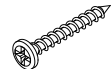


<1>



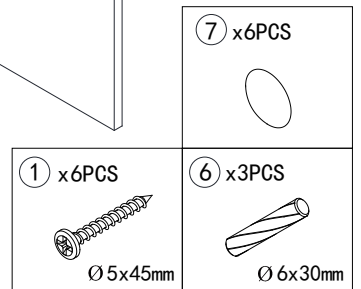
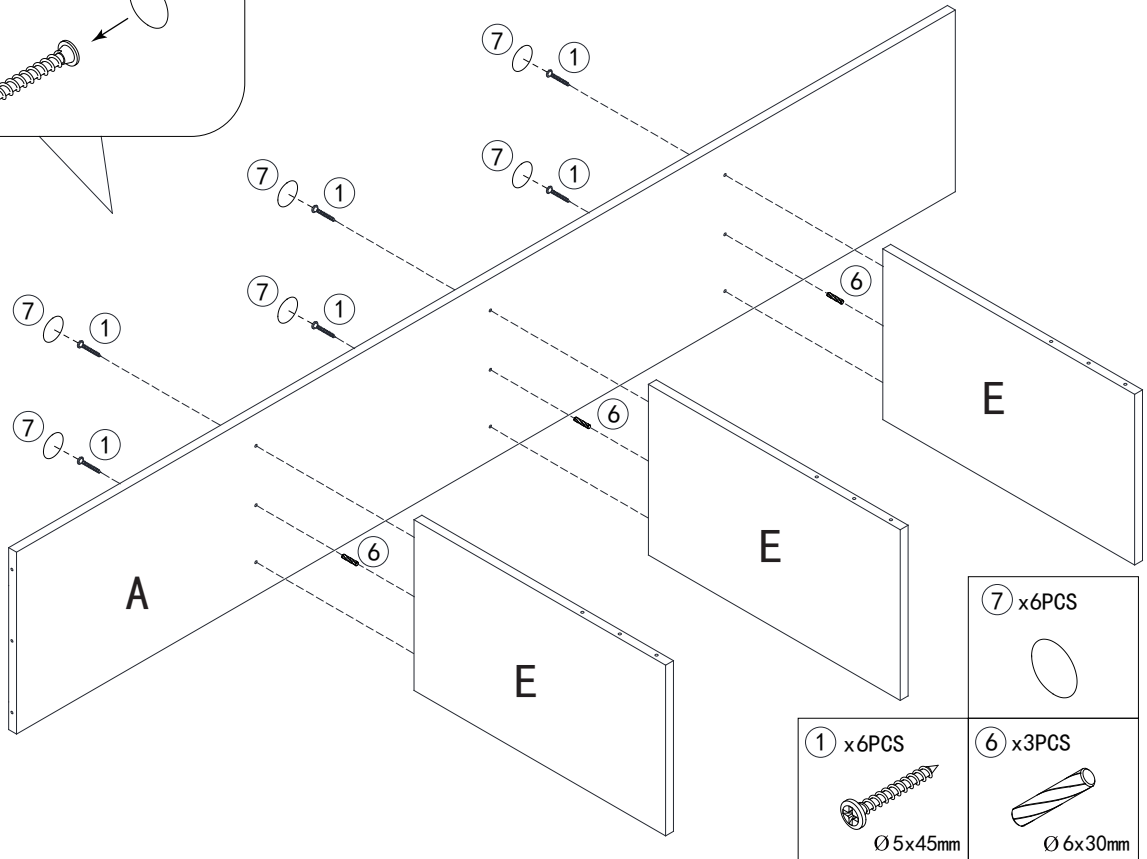
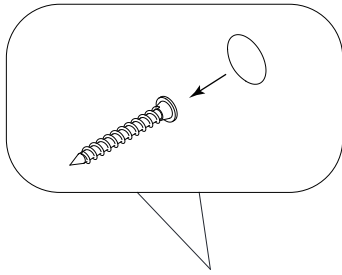
④ x2PCS  Ø 4x12mm	⑤ x2PCS 
--	--

<2>

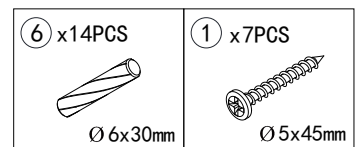
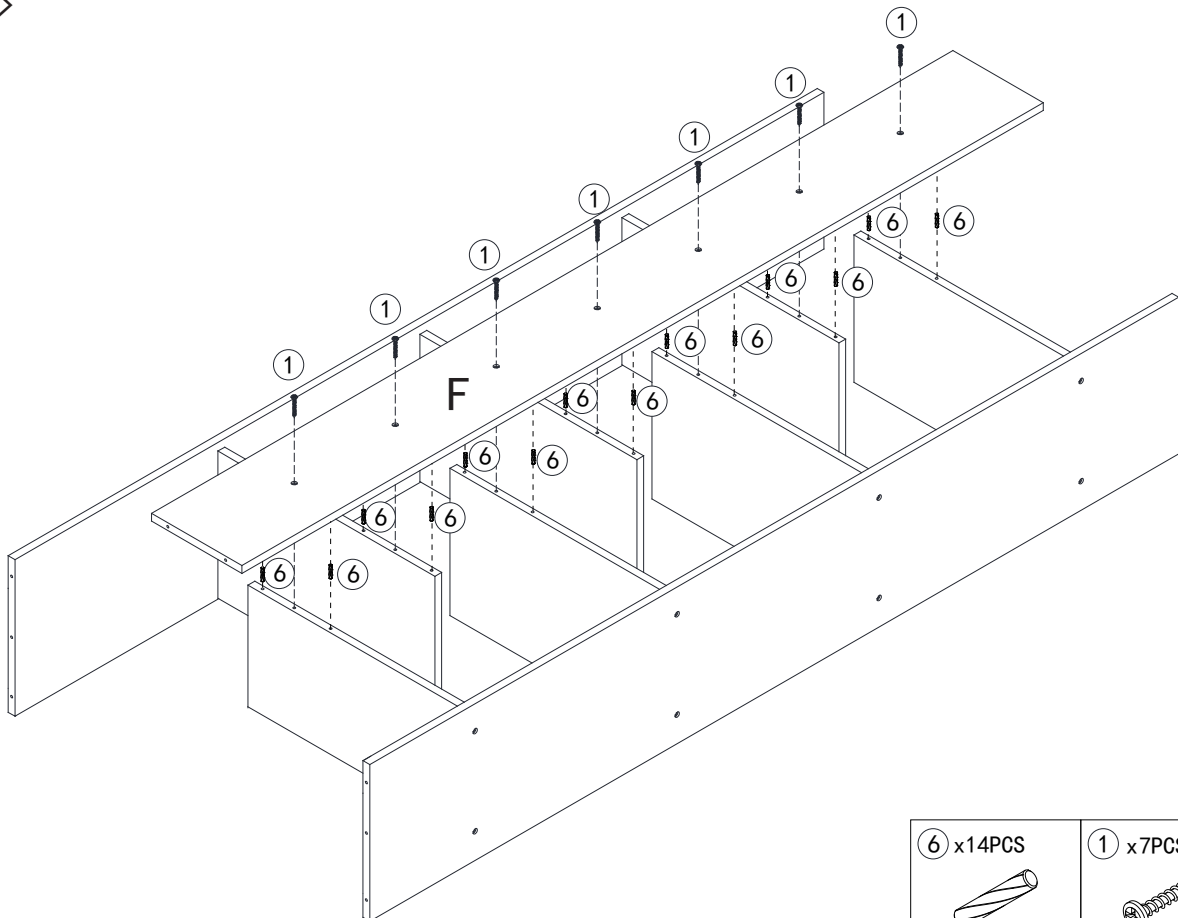


① x8PCS  Ø 5x45mm	⑦ x8PCS 
⑥ x4PCS  Ø 6x30mm	

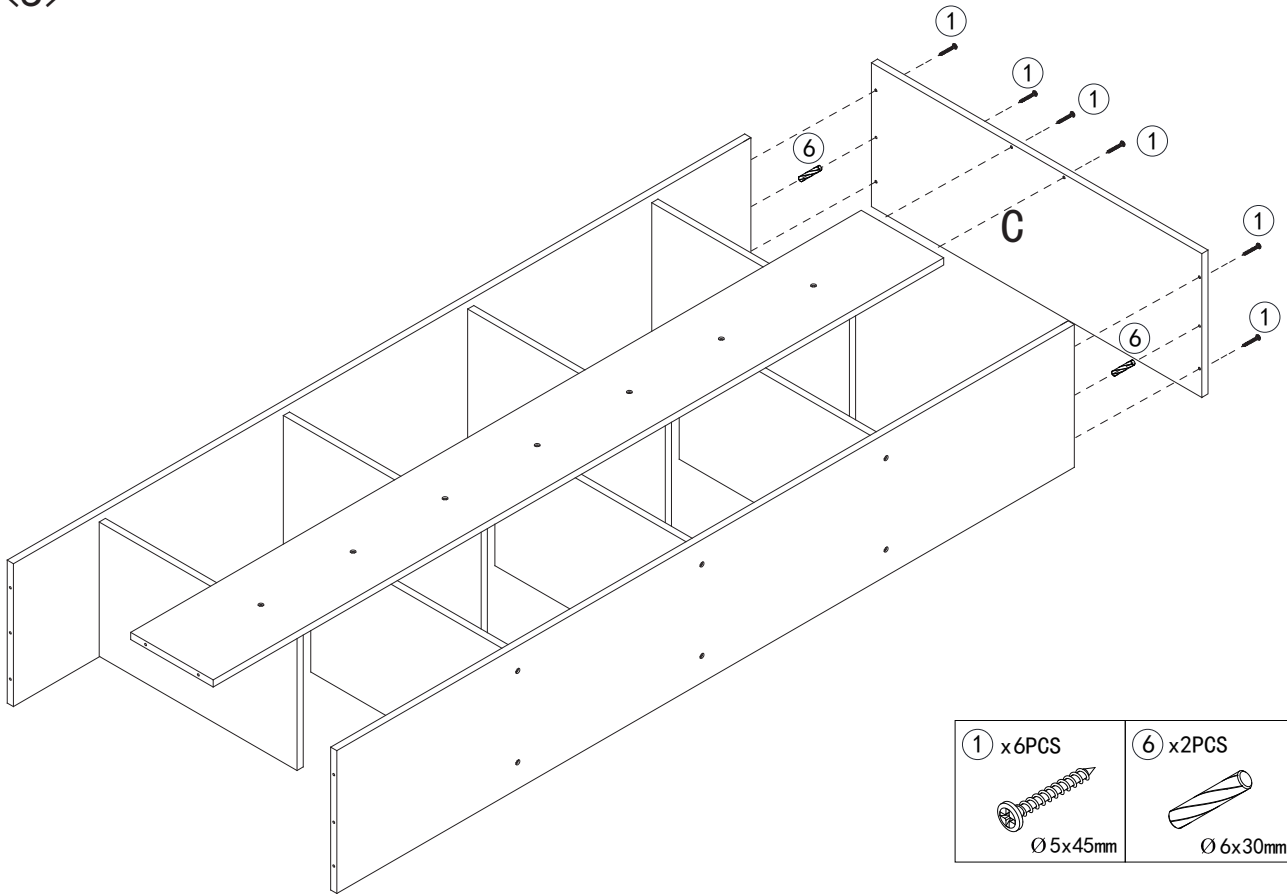
<3>



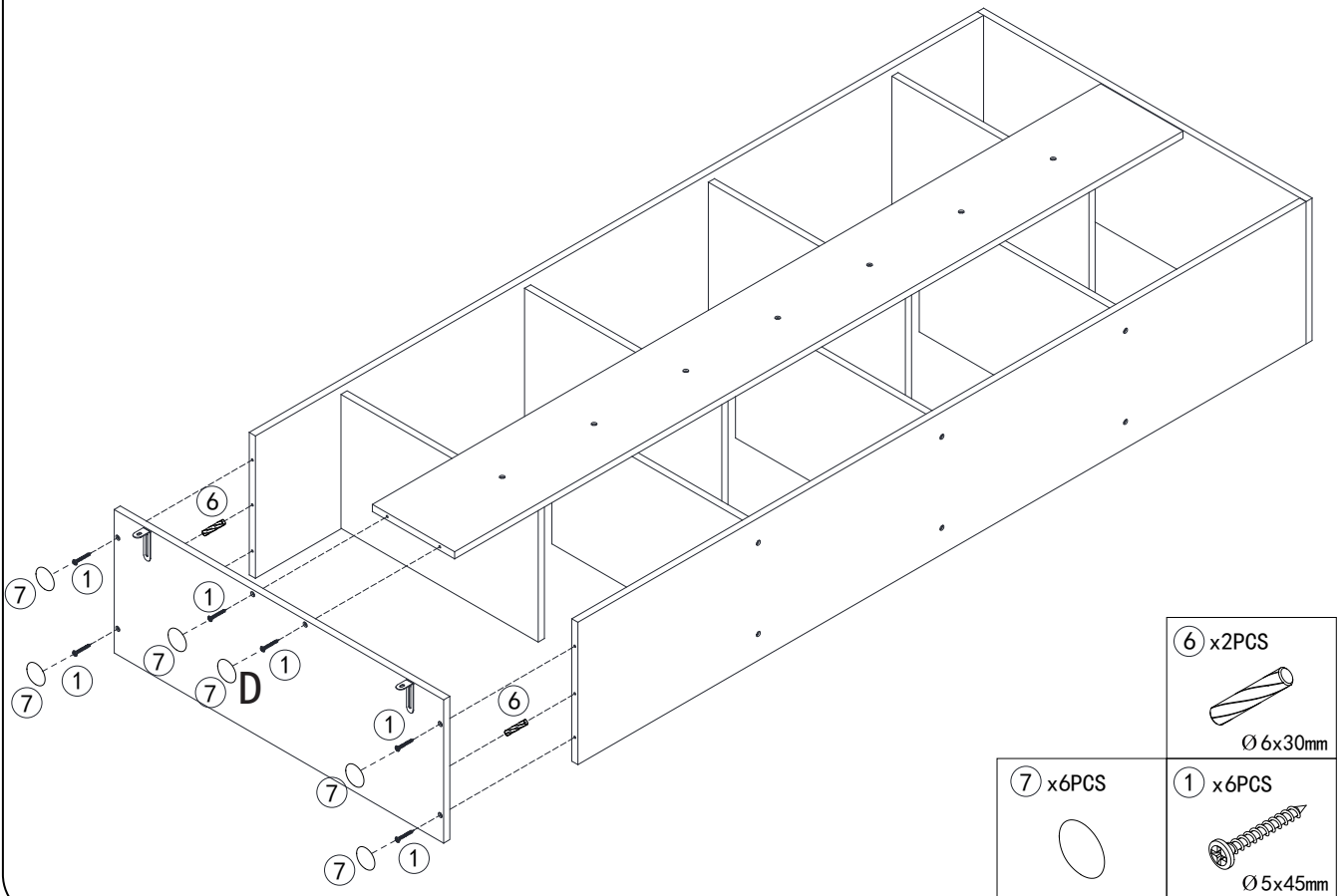
<4>



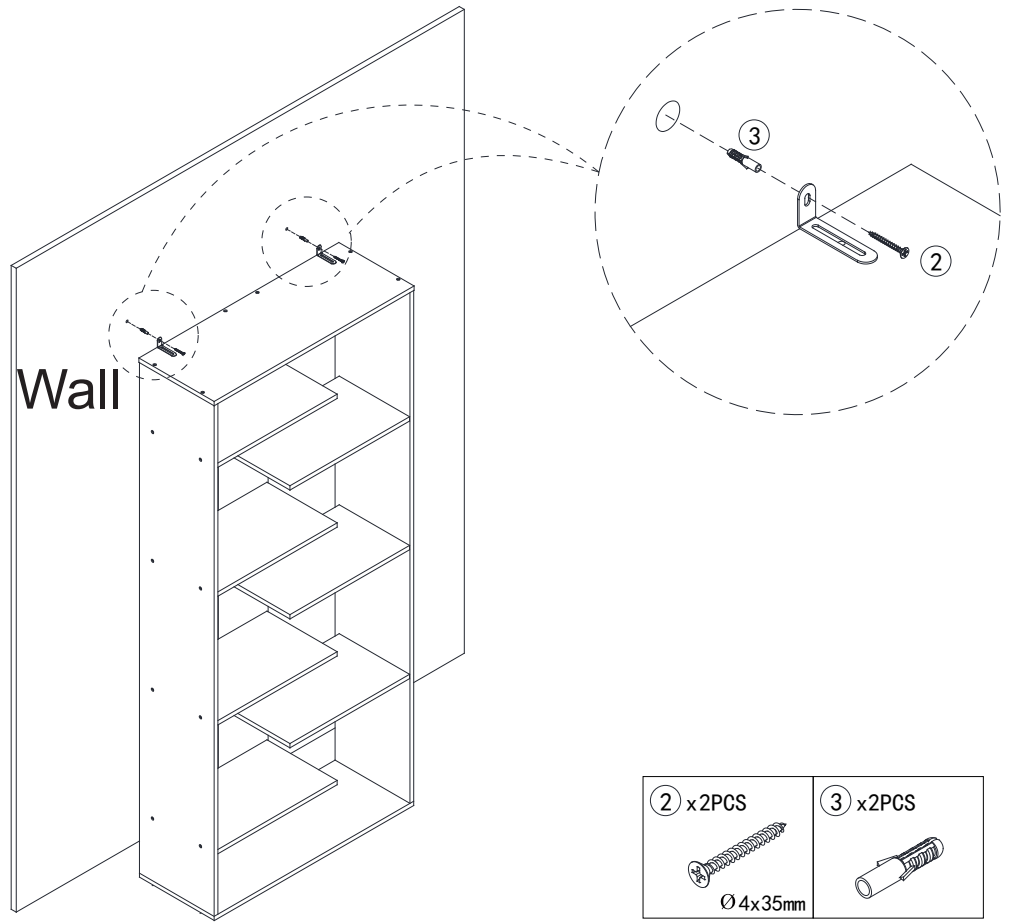
<5>



<6>



<7>



<8>

