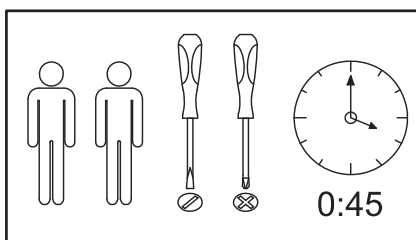
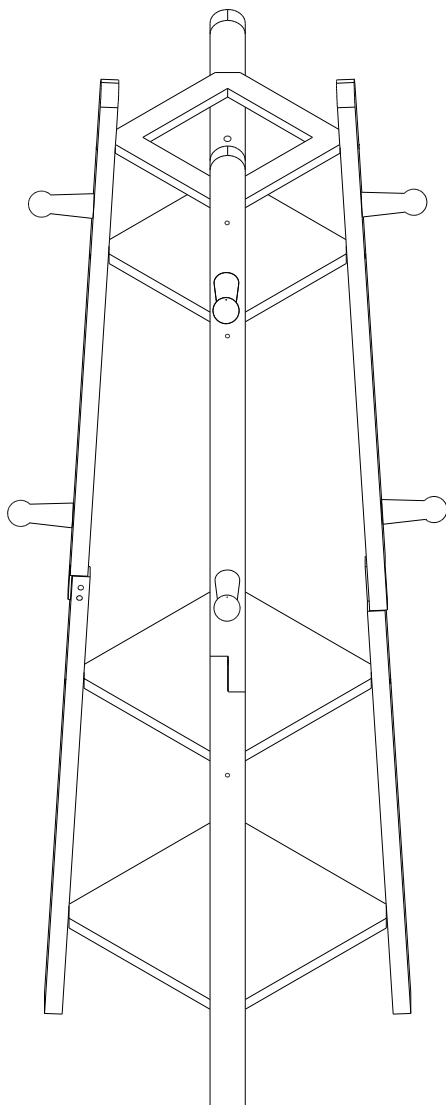
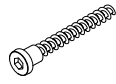
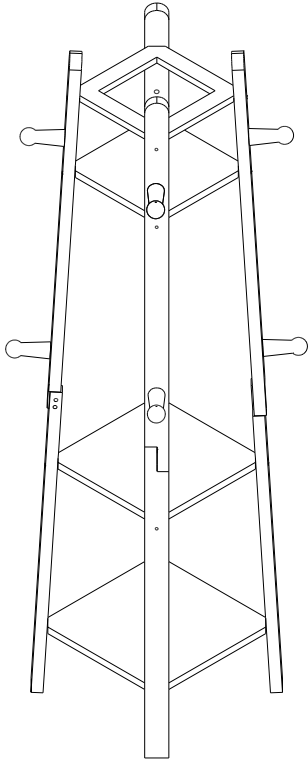


Assembly Instruction

FZ0060086 v231207.01



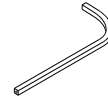
Scanning the QR code to open assembly instructions.



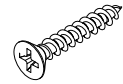
A x 16



B x 8



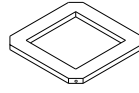
C x 1



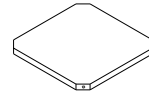
D x 8



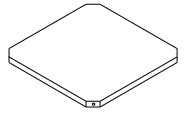
E x 8



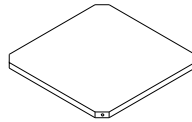
① x1



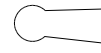
② x1



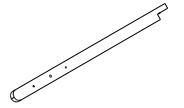
③ x1



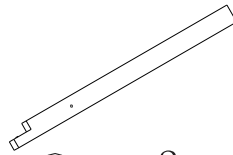
④ x1



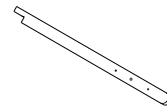
⑤ x8



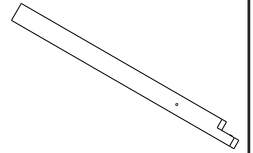
⑥ x2



⑦ x2

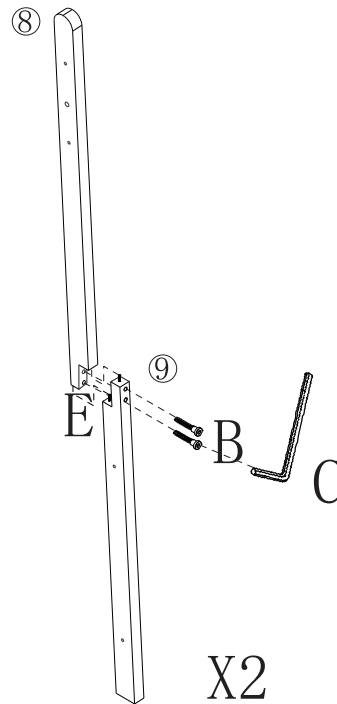
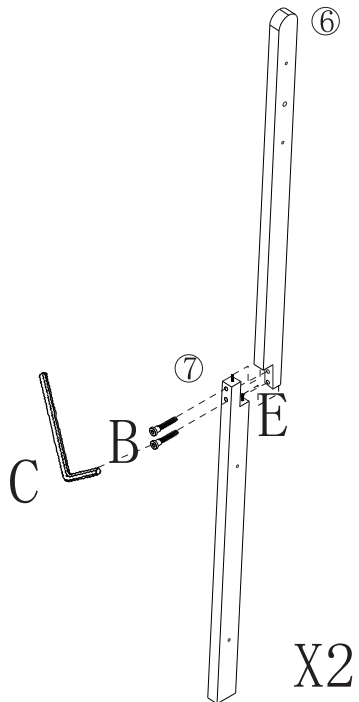


⑧ x2



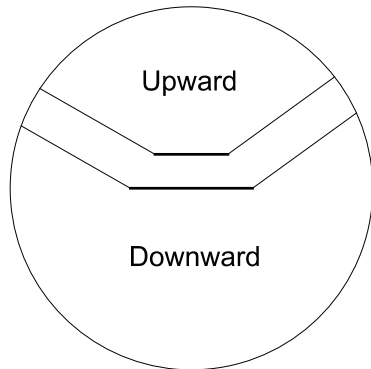
⑨ x2

STAP 1

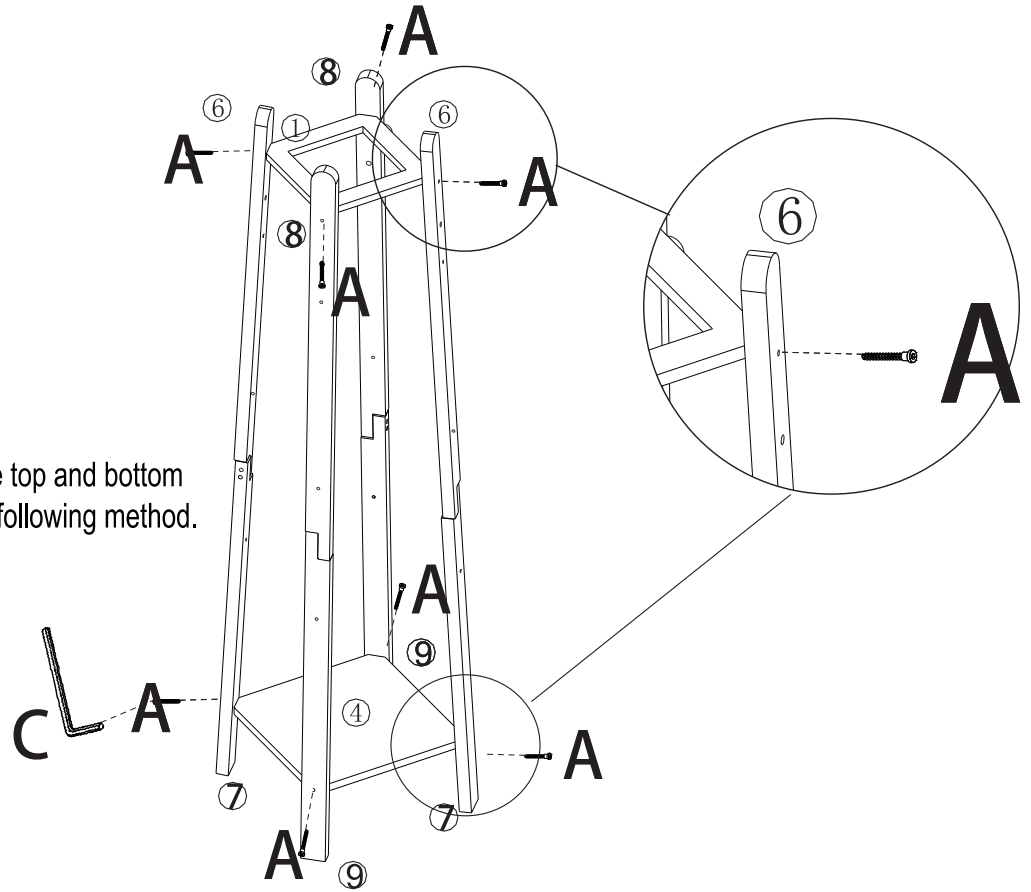


STAP 2

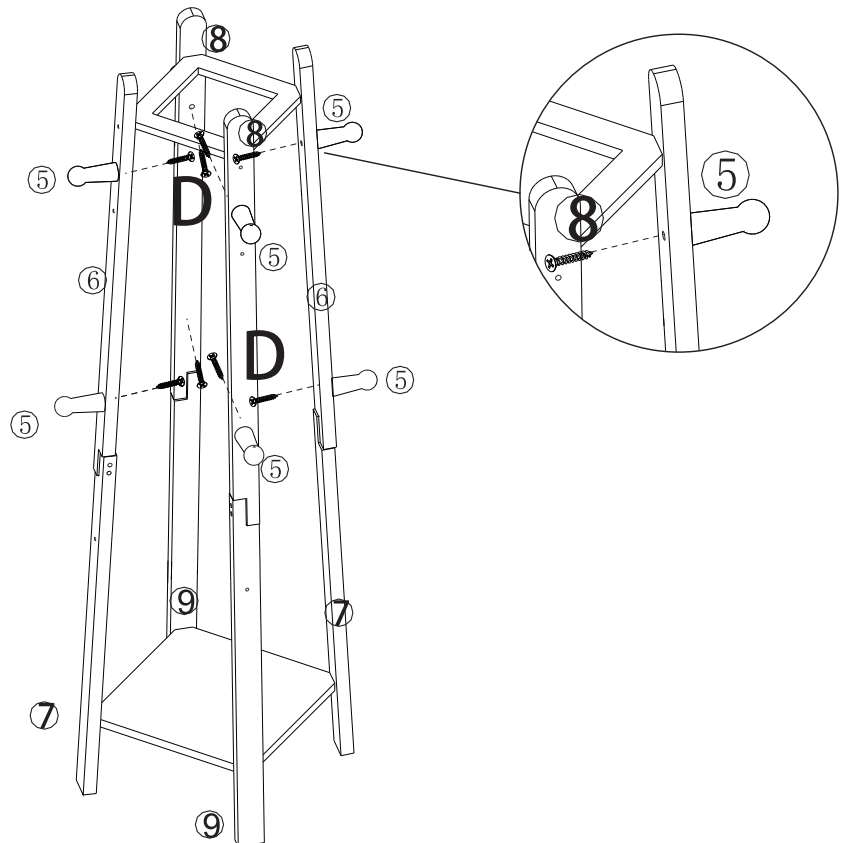
Notes:
Before installing the shelves,
it is necessary to distinguish the top and bottom
of the shelves according to the following method.



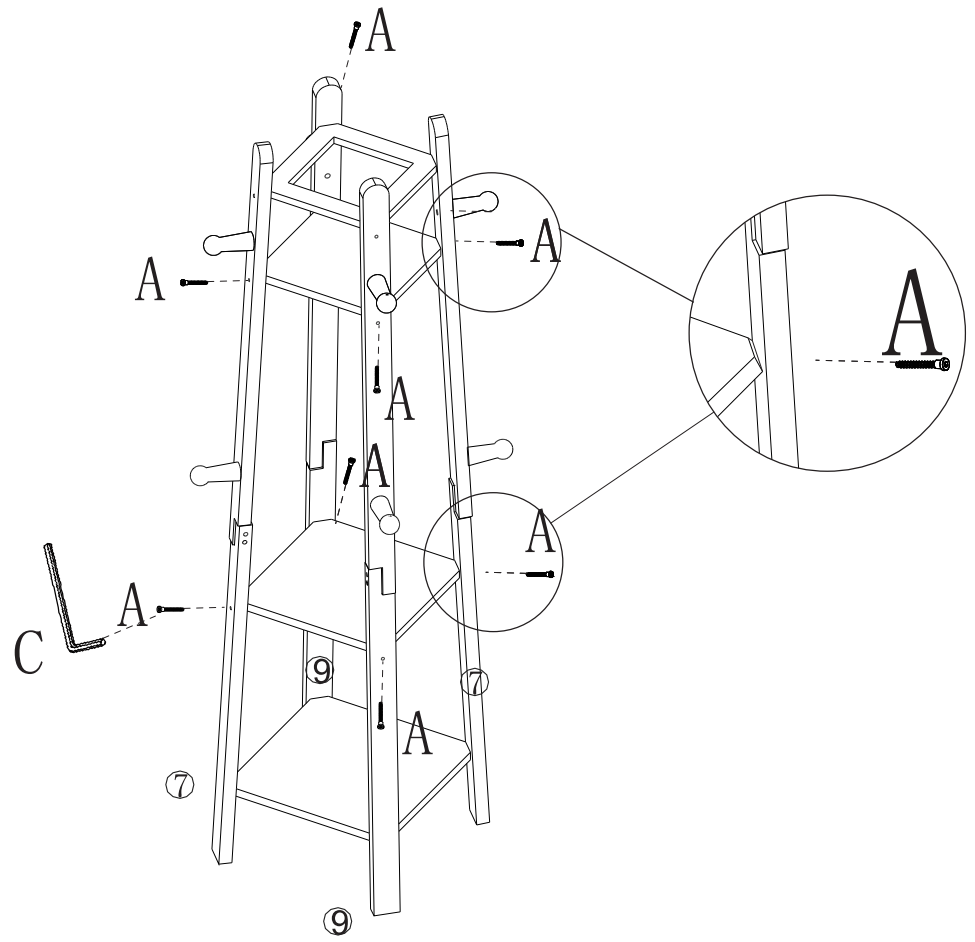
The corner detail of the shelf



STAP 3



STAP 4



STAP 5

