

Assembly Instructions

WARNING!!

Furniture Tipping Risk.

Serious risk of severe or fatal crush injuries can occur from furniture tipping over if not secured.

Please look in brown box for hardware packs and legs. Sets often ship in multiple boxes and may arrive a day or two apart.

Children like to climb on furniture and Unsecured furniture can pose a serious danger.

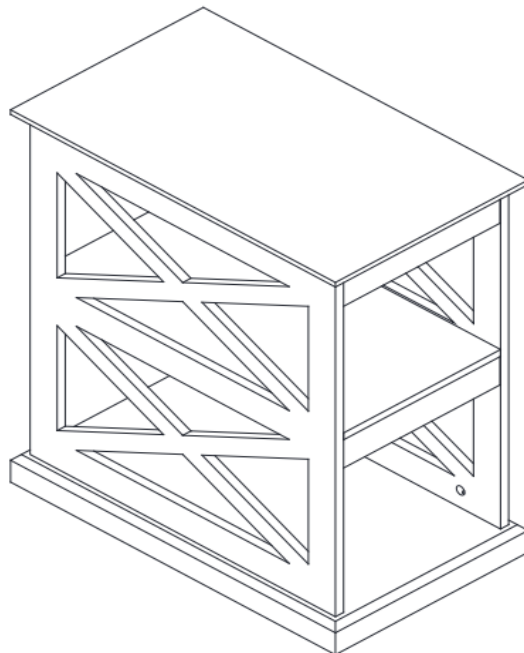
Please follow all instructions and install the tip-over restraints provided.

In addition to installing the restraints, to help prevent tip-over:

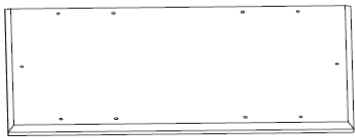
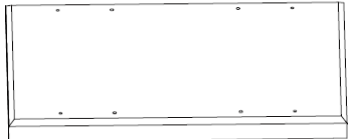
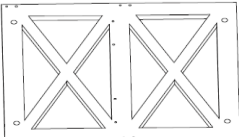

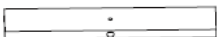
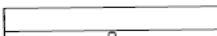
1. Place heaviest items in the lowest drawers,
2. Unless specifically designed to accommodate, do not set TV's or other heavy objects on top of this product,
3. Never allow children to climb or hang on drawers, doors, or shelves,
4. Do not leave drawers open,
5. Never open more than one drawer at a time, and
6. Do not step on the base.

Caution : You must read this before you proceed





End Table






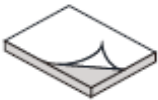



Parts List

Label	Picture	Description	QTY
A		Top Panel	1
B		Bottom Base	1
C		Side Frame	2
D		Shelf	1
E		Upper Hide Connection Slat	1
F		Connection Slat	3

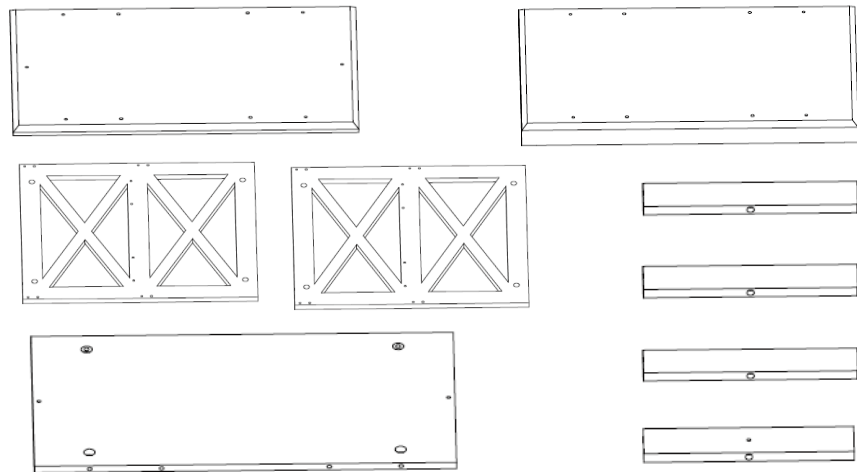
Hardware












Label	Picture	Description	QTY
①		Cam Bolt	21
②		Cam Lock (Ø 15x12mm)	21
③		Wooden Dowel	21
④		Screw (M4x50mm)	5

⑤		Screw (M4x35mm)	1
⑥		Wall Plug	1
⑦		Screw (M3.5x12mm)	8
⑧		Wall Bracket	2
⑨		Cable Tie	1
⑩		Foot Pad	4
⑪		Screw Cover	13

Assembly Preparation

Before Beginning Assembly:



① x20PCS  Ø 6x35mm	② x20PCS  Ø 15x9mm	③ x20PCS  Ø 6x30mm	④ x4PCS  Ø 4x50mm	⑤ x1PC  Ø 4x35mm	⑥ x1PC  Ø 4x14mm	⑦ x1PC  Ø 4x14mm	⑧ x2PCS 
⑨ x1PC 	⑩ x4PCS 	⑪ x20PCS 					



- Read instructions, cover to cover-



- Have 2 adults on hand for assembly-



- Do not assemble on flooring or carpet-



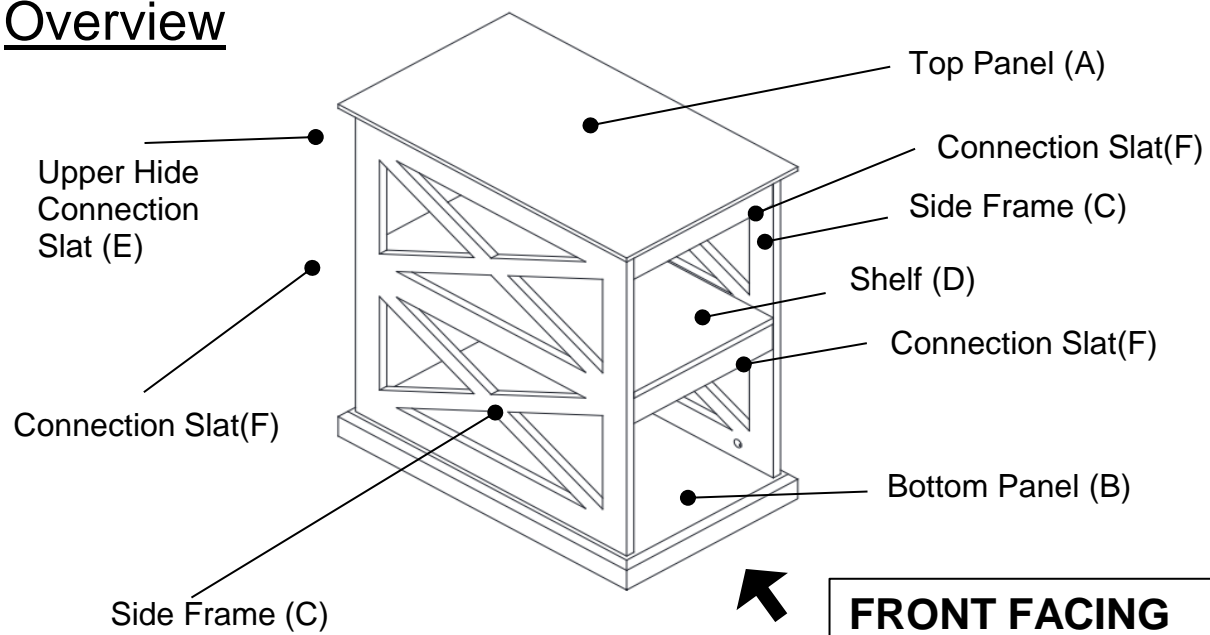
- Assemble on a clean non-marring surface (packing foam)-



- Save all packaging until finished-

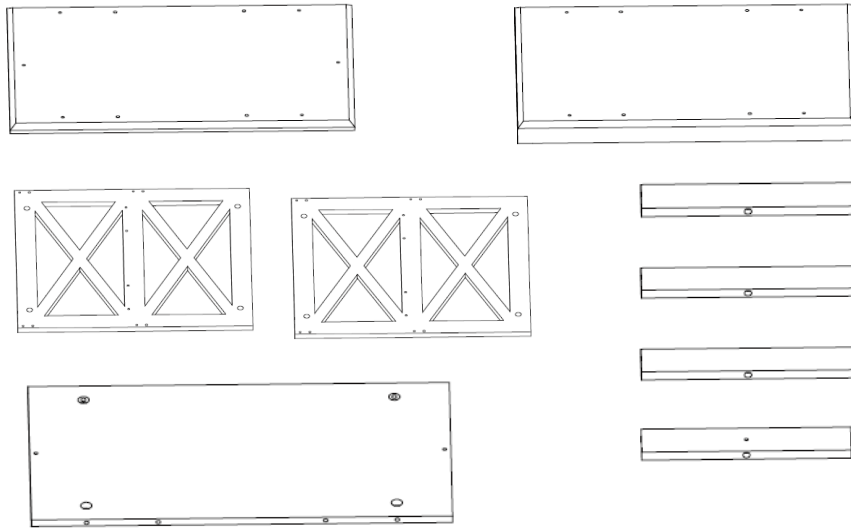
Assembly Steps

Overview



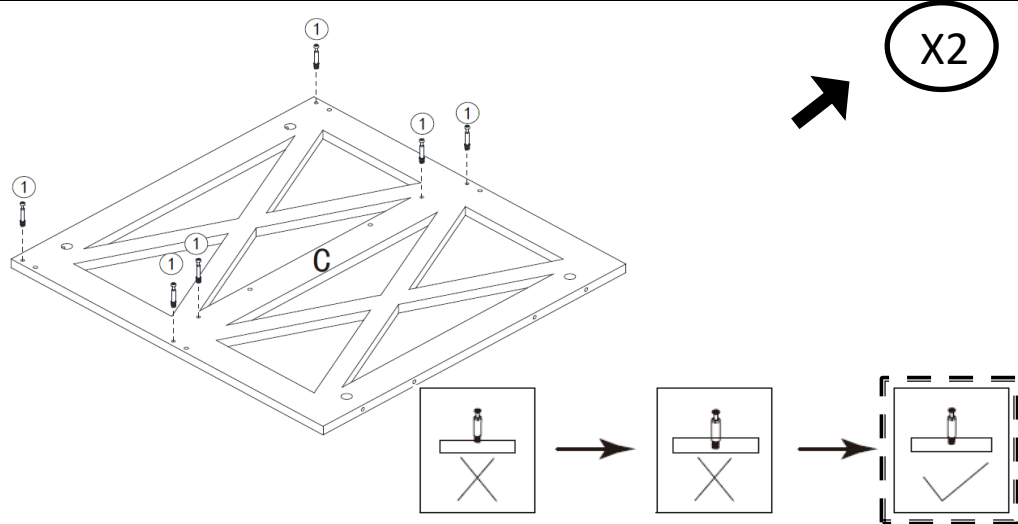
This end table has multiple parts and may require up to some 45 minutes to assemble. To give you an overview of the end table parts, the above picture is to help you put the various parts into perspective. Please read through the instructions below to familiarise yourself with the parts and steps before assembly.

Step 1



Unpack and place all parts on a clean, non-marring surface.

Step 2

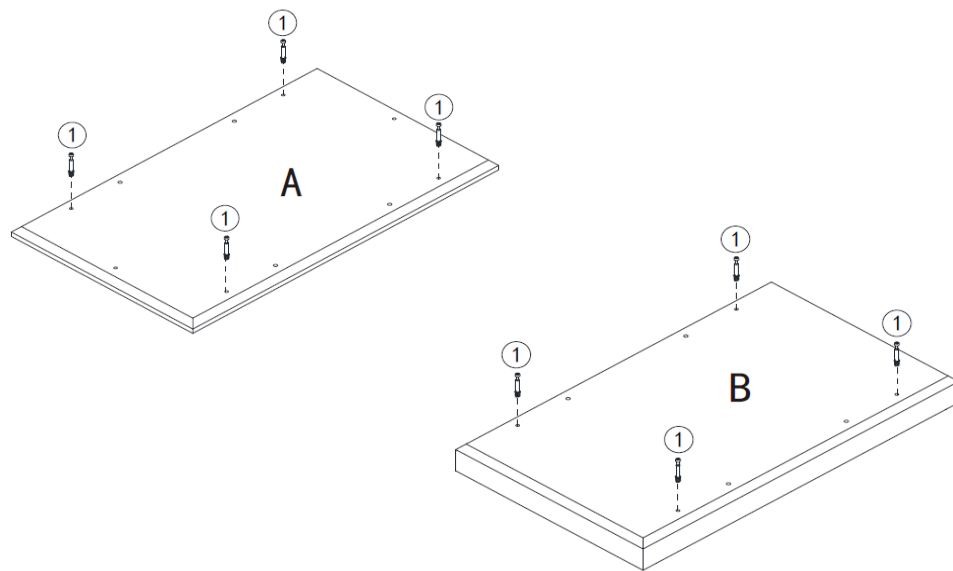


Place the Side Frame (C) with its inside facing upwards onto a clean, soft surface to avoid any scratches or damage to the product.

Screw the Cam Bolts (①) into the mounting positions on the Side Frame (C) as shown in the picture above.

Repeat the same process for the other one.

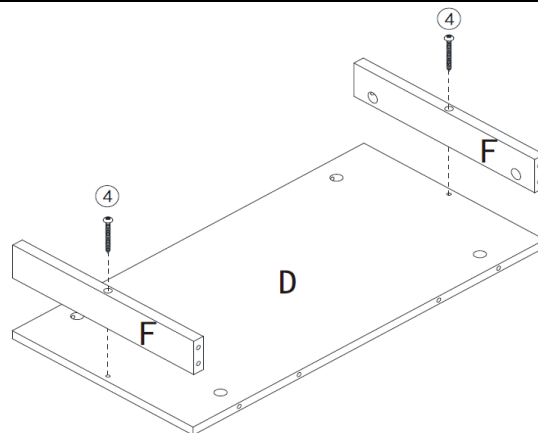
Step 3



Place the Top Panel (A) & the Bottom Base(B) with their inside facing upwards onto a clean, soft surface to avoid any scratches or damage to the product.

Screw the Cam Bolts (①) into the mounting positions on the Top Panel (A) & the Bottom Base(B) as shown in picture above.

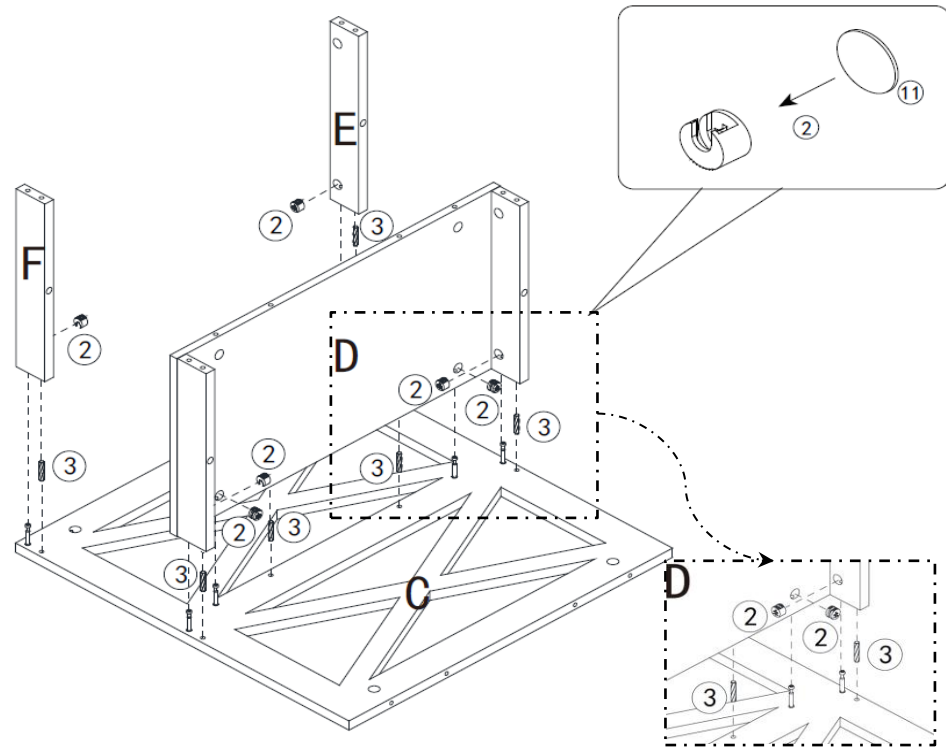
Step 4



Place the Shelf(D) with its inside facing upwards onto a clean, soft surface to avoid any scratches or damage to the product.

Align and screw the Connection Slat(F) onto the mounting positions in the Shelf(D) with the Screws(④) as shown in the picture above.

Step 5

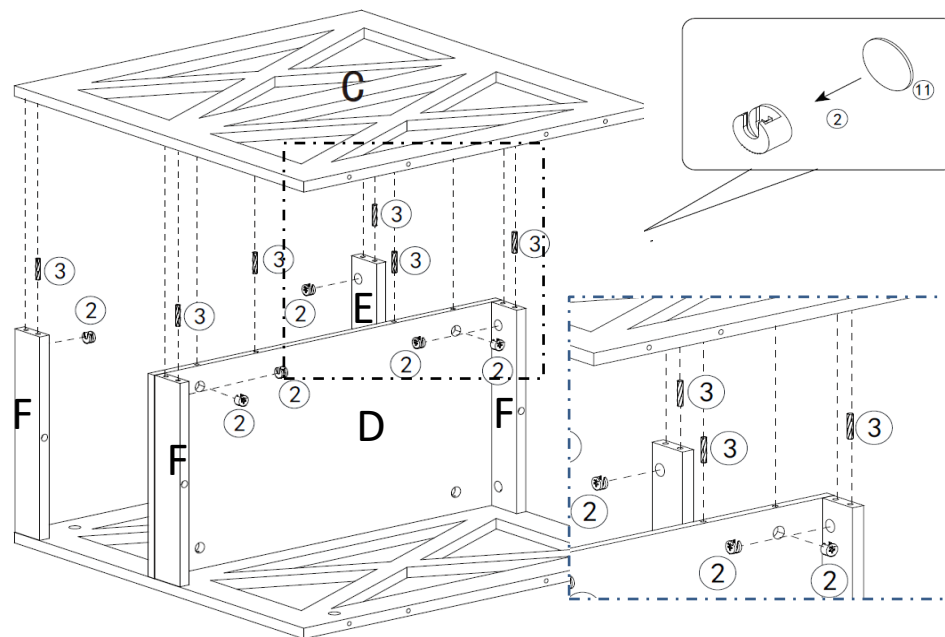


Insert the Cam Locks (2) & the Wooden Dowels(3) into the positions in the Side Frame(C) & the Connection Slat(F) & the Upper Hide Connection Slat(E) as shown in the picture above.

Align and fasten the Side Frame(C) & the Connection Slat(F) & the Upper Hide Connection Slat(E) using the Screwdriver.

Cover the Cam Locks (2) with the Screw Covers(11).

Step 6

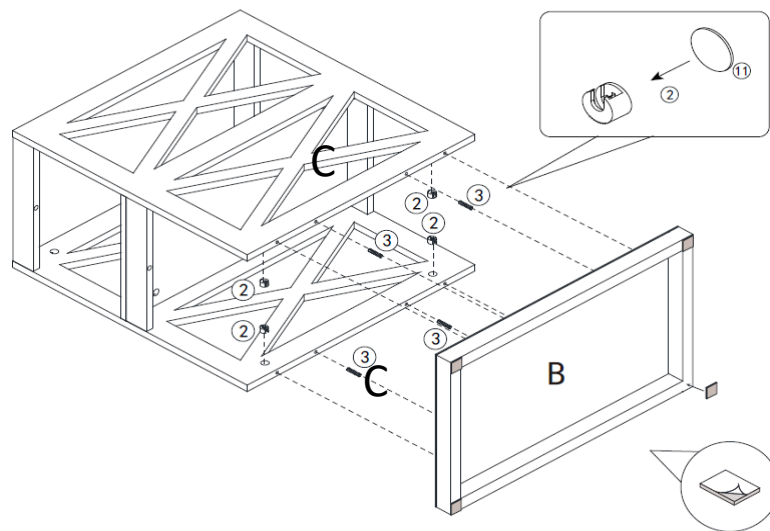


Insert the Cam Locks (2) & the Wooden Dowels(3) into the positions in the Side Frame(C) & the Connection Slat(F) & the Upper Hide Connection Slat(E) as shown in the picture above.

Align and fasten the Side Frame(C) & the Connection Slat(F) & the Upper Hide Connection Slat(E) using a Screwdriver.

Cover the Cam Locka (2) with the Screw Covers(11).

Step 7



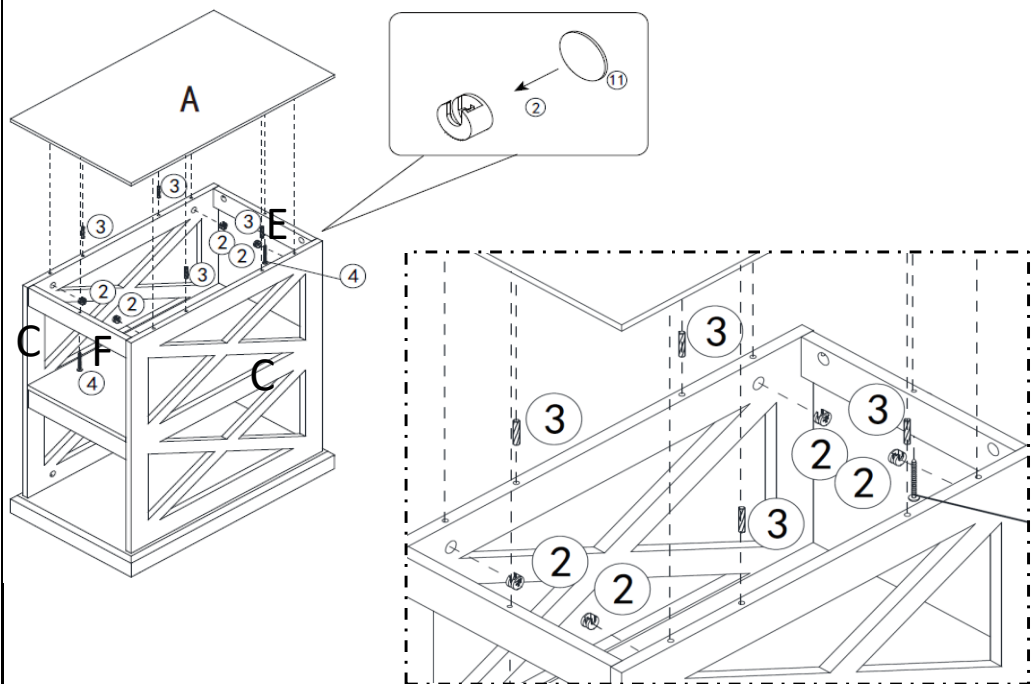
Insert the Cam Locks (②) & the Wooden Dowels(③) into the positions in the Side Frame(C) as shown in the picture above.

Align and fasten the Side Frame(C) & the Bottom Base(B) using a Screwdriver.

Cover the Cam Locks (②) with the Screw Covers(⑪).

Stick the Foot Pad (⑩) onto the corner position of the Bottom Base(B).

Step 8



Turn over the frame as shown in the picture above.

Insert the Cam Lock (②) & the Wooden Dowel(③) into the mounting positions in the Side Frame(C) as shown in the picture above.

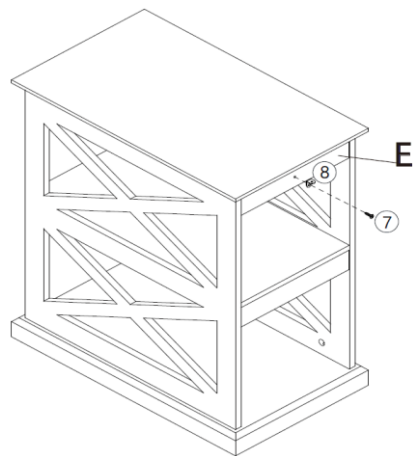
Align and fasten the Side Frame(C) & the Top Panel(A) using a Screwdriver.

Cover the Cam Locks (②) with the Screw Covers(⑪).

Screw the Connection Slat(F) & the Upper Hide Connection Slat(E) and the Top Panel(A) using the Screws(④).

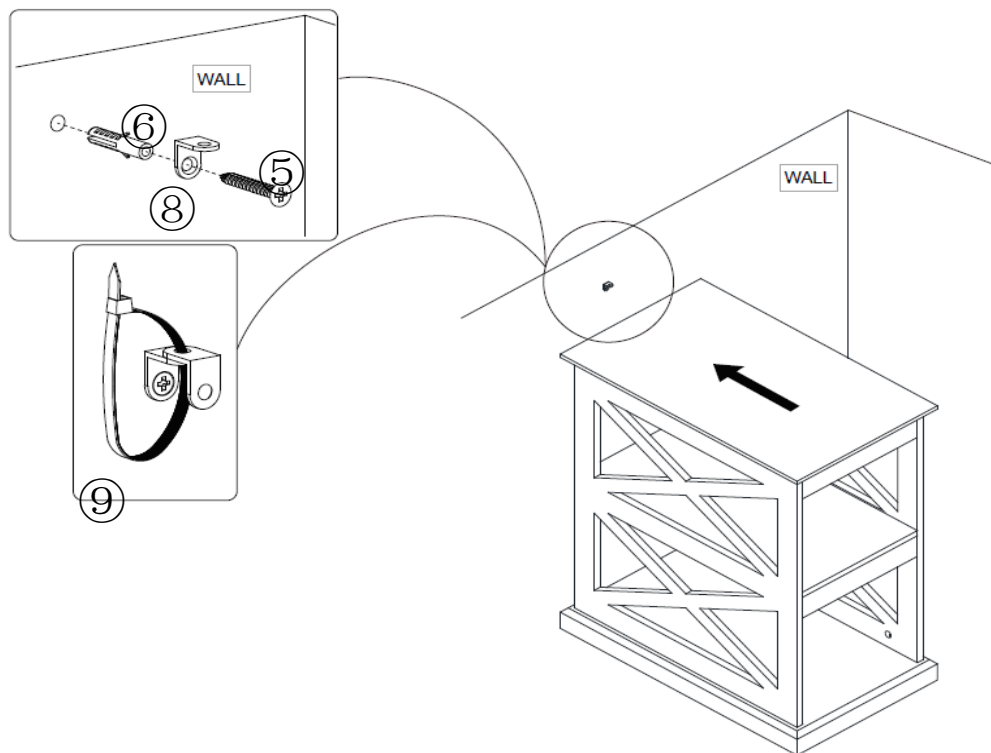
Tighten all screws.

Step 9



Align the Upper Hide Connection Slat (E) and the Wall Bracket(8). Tighten with a Screw(7).

Step 10



Turn the End Table frontwards. Then move the End table onto the wall where you want to place it.

10.1 Measure the distance between the floor and the hole of the Wall Bracket(8) which was assembled on the Upper Hide Connection Slat (E). Record the data.

10.2 Mark a dot on the wall using the noted data.

10.3 Drill a hole in the wall for the wall Plugs(6). Then insert the Wall Plugs(6) in it.

10.3 Screw the Wall Bracket(8) into the Wall Plugs(6) with the Screw(5). Tighten it using a screwdriver.

10.4 Align these two Wall Brackets (8) and fasten with the Cable Tie(9).

Caution 1 : When tightening these screws, tighten sequentially.

DO NOT tighten any screw fully and then towards the next one.

Caution 2 :This End Table can only be used on a flat, level surface.

Caution 3 :This End Table is NOT a TOY.

Keep your child / children at bay during the assembly process.

Care & Maintenance



● Furniture may scratch floors. We recommend using furniture pads to protect your floors.



● Do not put hot items directly on furniture surface.



● Do not clean furniture with harsh cleansers or polish.



● Do not place furniture under direct sunlight.



● Do not place furniture near heating or cooling vents.



● Do not write on furniture without a padded barrier to protect the surface.



● Do not place furniture outside . For indoor use only.



● Not for commercial use. For residential use only.



● Stains may be removed with mild soap solution and damp cloth.



● Children should not climb or jump on the furniture.



● Dust and pick-up spills using a clean, non-colored, lint-free cloth.

Questions & Answers about Proposition 65

- What is Proposition 65?

Proposition 65 requires businesses to provide warnings to Californians about significant exposures to chemicals that cause cancer, birth defects or other reproductive harm. These chemicals can be in the products that Californians purchase, in their homes or workplaces, or that are released into the environment. By requiring that this information be provided, Proposition 65 enables Californians to make informed decisions about their exposures to these chemicals.

Proposition 65 also prohibits California businesses from knowingly discharging significant amounts of listed chemicals into sources of drinking water.

Proposition 65 requires California to publish a list of chemicals known to cause cancer, birth defects or other reproductive harm. This list, which must be updated at least once a year, has grown to include approximately 900 chemicals since it was first published in 1987.

- What types of chemicals are on the Proposition 65 list?

The list contains a wide range of naturally occurring and synthetic chemicals that include additives or ingredients in pesticides, common household products, food, drugs, dyes, or solvents. Listed chemicals may also be used in manufacturing and construction, or they may be byproducts of chemical processes, such as motor vehicle exhaust.

- What does a warning mean?

If a warning is placed on a product label or posted or distributed at a workplace, a business, or in rental housing, the business issuing the warning is aware or believes that it is exposing individuals to one or more listed chemicals.

By law, a warning must be given for listed chemicals unless the exposure is low enough to pose no significant risk of cancer or is significantly below levels observed to cause birth defects or other reproductive harm.

- Where can I get more information on Proposition 65?

If you have specific questions on the administration or implementation of Proposition 65, you can contact OEHHA's Proposition 65 program at P65.Questions@oehha.ca.gov, or by phone at (916) 445-6900.