

Assembly Instructions

WARNING!!

Furniture Tipping Risk.

Serious risk of severe or fatal crush injuries can occur from furniture tipping over if not secured.

Please look in brown box for hardware packs and legs. Sets often ship in multiple boxes and may arrive a day or two apart.

Children like to climb on furniture and Unsecured furniture can pose a serious danger.

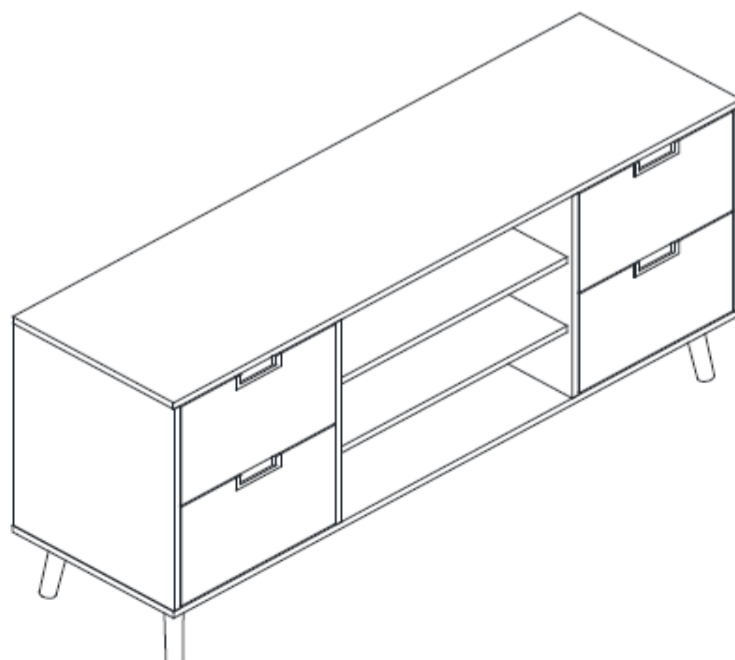
Please follow all instructions and install the tip-over restraints provided.

In addition to installing the restraints, to help prevent tip-over:

1. Place heaviest items in the lowest drawers,
2. Unless specifically designed to accommodate, do not set TV's or other heavy objects on top of this product,
3. Never allow children to climb or hang on drawers, doors, or shelves,
4. Do not leave drawers open,
5. Never open more than one drawer at a time, and
6. Do not step on the base.

Caution : You must read this before you proceed

TV Stand



USER MANUAL

Thank you for choosing our product. We hope you will find the instructions on this user manual clear and easy to follow. If you take a few minutes to look through it, you'll learn how to assemble and use of your new unit for maximum enjoyment.

This User Manual will provide basic instructions and safety guide for this products. After you have finished reading the instructions, please keep this manual in a safe place for future reference.

Should you ever experience a problem with of any our products, please fell free to contact us.



SAFETY INSTRUCTION

FAILURE TO COMPLY WITH OR OBSERVE ALL ASSEMBLY, SAFETY AND OPERATING INSTRUCTION AND WARNING REGARDING THE USE OF THIS PRODUCT MAY RESULT IN SERIOUS INJURY.

The safety of our clients and users is our primary concern. To ensure safe operation, please read this instruction carefully.

WARNING: Any furniture that is not anchored to a wall has the potential to tip over in certain circumstances, i.e. if a child attempts to climb up on the furniture or in the event of an earthquake. Accordingly, we strongly recommend securing all furniture to a wall using the anti-topple wall bracket supplied.

We have provided the fittings for attaching the wall bracket to the unit, but due to the different types of walls you might have, we not provided the fitting for attaching the bracket to your wall. You should first identify the type of wall you intent to fix the product to and then contact your local hardware store to get the appropriate fixings.

When attaching to walls always consider the position of any electrical cables or water pipes nearby.

WARNING

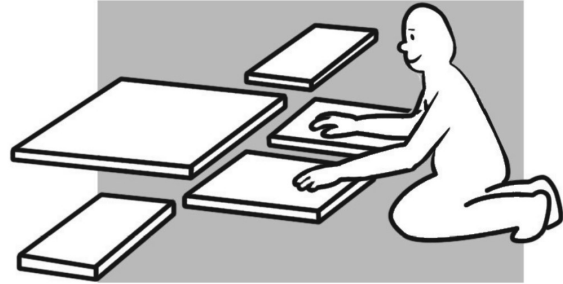
FAILURE TO FOLLOW THESE BASIC STEPS CAN LEAD TO DAMAGE THAT IS NOT COVERED BY YOUR WARRANTY

1



Read Instructions carefully. Check no parts are missing.

2



Lay out all of the components on a soft surface as if you were preparing to do a jigsaw puzzle.

3



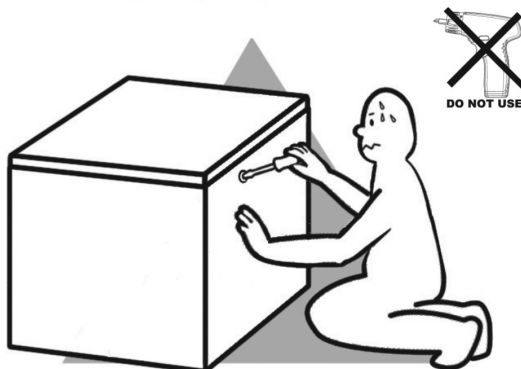
Carefully identify each component, especially those that are similar. The most common mistake is getting things back to front.

4



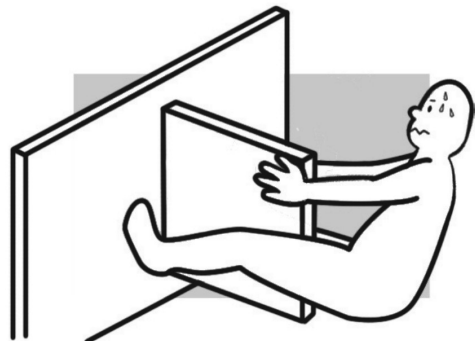
Separate and identify each component from the hardware pack and rest each one in its proper location before fastening.

5



DO NOT fully tighten screws (leave slightly loose). When the item is fully assembled tighten the screws - but do not over tighten.

6



If glue is required **DO NOT** set until you are certain that the parts belong together.



Safety and Care Advice

Important – Please read these instruction fully before starting assembly

Check you have all the components and tools listed are included.

Remove all fittings from plastic bags and separate them into their groups.

Keep children and animals away from the work area, small parts could choke it swallowed.

Make sure you have enough space to layout the parts before starting.

Do not stand or put weight on the products, this could cause damaged.

Assemble the item as close to its final position (in same room) as possible.

Do not place furniture direct in front of radiators, fires or any other source of heat.



Parts of assembly will be easier with 2 people.

Assemble on soft level surface to avoid damaging the unir or your floor.



We do not recommend The use of power drill/ drivers for inserting screws, as this could damage the unit.

Dispose of all packing carefully and responsibly.

General Care And Maintenance

To ensure that you receive maximum pleasure from your new furniture, it is very important for you to care your products.

Maintain the furniture on a regular basis and in accordance with the instructions

Take care to prevent sharp object and avoid contact with chemicals e.g. cosmetics or hair products which may permanently mark the surface,

From time to time check that all the fitting are tight on this piece of furniture.

Always use coasters to protect surface from moisture and heat.

Take care when moving furniture- dragging pieces across the floor will damage the joints.

Avoid exposing your furniture to direct and prolonged periods of sunlight and heat sources as fading and cracking may occur.

Cleaning And Care Of Products

Dust regularly with a clean dry cloth.

Wipe up any spills immediately with a damp cloth and then dry the surface with a clean dry duster.

Remove stubborn stains with weak washing up liquid solution and a damp cloth and dry with a clean dusters.

Do NOT use abrasive cleaners.

Do NOT clean with the following or products containing the following:
Acetone(eg nail varnish remover), Ammonia(eg bleach) or Sodium hydroxide(eg Caustic soda, drain and oven cleaners). In the events of accidental contact rinse thoroughly with water

General Information

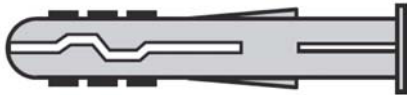
If for any reason you should have problems with your products, Please retain your receipt as proof of purchase and contact the store from which you purchased it.

A Guide to – Wall Mounting & Fixings

Important Notes:

Important: When drilling into walls always check that there are no hidden wires or pipes etc.

Wall Fixings:



- because of the variety of different wall types, we have provided kind but may not exact fixings you will need to fix this product to the wall.

In this case, you must first identify the type of wall you intend to fix product onto and then contact your local hardware store to get the appropriate fixings.

Make sure that the screws and wall plugs being used are suitable for supporting your unit. Consult a qualified tradesperson if you are unsure.

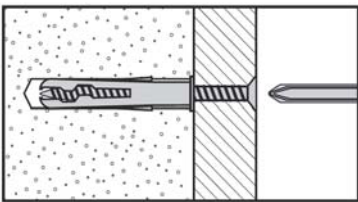
Hints:

- 1: **General rule:** Always use a larger screw and wall plug if you are not sure.
- 2: Ensure you use the recommended drill bit to match the wall plug and hole size.
- 3: Ensure you drill the hole horizontally, do not force the drill or enlarge the hole.
- 4: Take extra care when drilling high walls, ceilings and ceramic tiles. Ensure wall plugs are inserted beyond the thickness of the ceramic tiles to avoid the tiles splitting or cracking.
- 5: Ensure wall plugs are well fitted and are a tight fit in the drilled hole.

Types of walls

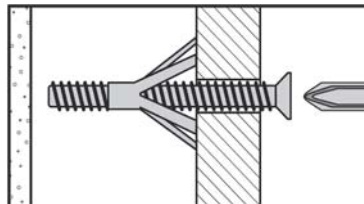
You can use one of the following types of wall plug if your wall are mad of brick, breeze block, concrete, stones or wood.

No.1 'General Purpose' wall plug



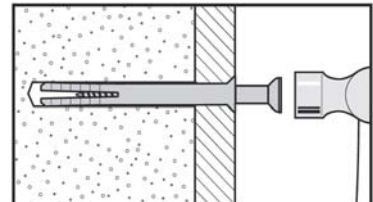
Generally aerated blocks should not be used to support heavy loads, use a specialist fitting in this case. For light loads, general purpose wall plugs can be used.

No.2 'Cavity Fixing' wall plug



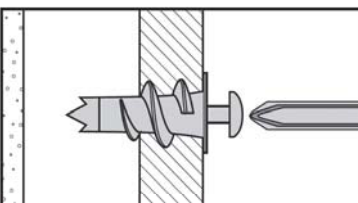
For use with plasterboard partitions or hollow wooden doors.

No.3 'Hammerfixing wall plug



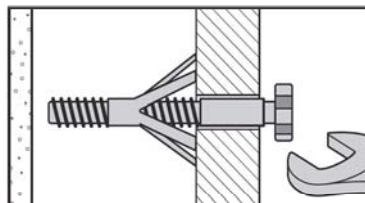
For use with walls stuck with plasterboard. The hammer fixing allows it to be fixed to the wall rather than the plasterboard. Always check the fixing is secure to the

No.4 'Plasterboard' wall plug



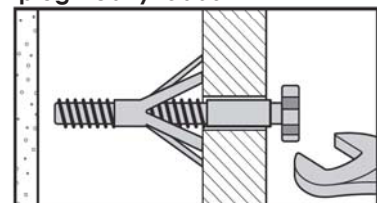
For use when attaching light loads on to plasterboard partitions.

No.5 'Cavity Fixing-Heavy Duty' wall plug




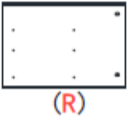

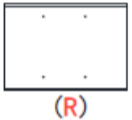






















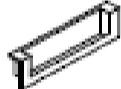




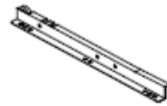


For use when fitting or supporting heavy loads such as shelving, wall cabinets and coat racks.

No.6 'Shield Anchor' wall plug Heavy loads



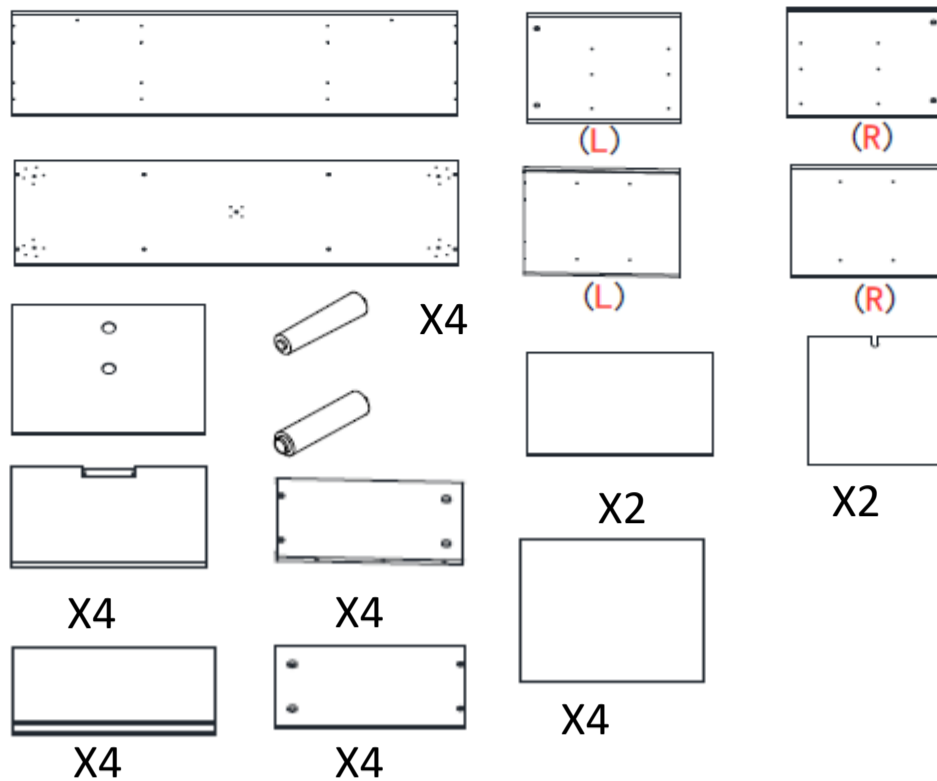
For use with heavier loads such as TV & HiFi speakers and satellite dishes etc.

Parts List			
Label	Picture	Description	QTY
A		Top Panel	1
B		Bottom Panel	1
C		Left Side Panel	1
D		Right Side Panel	1
E		Mid-Support Panel L	1
F		Mid-Support Panel R	1
G		Shelf	2
H		Back Panel	2
I		Mid-Back Panel	1
J		Legs	4
K		Middle Leg	1
L		Drawer Front	4
M		Drawer Back	4
N		Drawer Side Panel L	4
O		Drawer Side Panel R	4
P		Drawer Bottom	4

Hardware			
Label	Picture	Description	QTY
①		Cam Bolt	24
②		Cam Lock (Ø 15x12mm)	24
③		Wooden Dowel	25
④		Screw (M4x14mm)	27
⑤		Wall Bracket	2
⑥		Screw (M4x40mm)	27
⑦		Screw (M3.5x12mm)	49
⑧		Leg Bracket	4
⑨		Mid-Leg Bracket	1
⑩		Shelf Support	8
⑪		Handle	4
⑫		Bolt (M4x10mm)	9
⑬		Left Drawer Slide 2	4
⑭		Right Drawer Slide 2	4
⑮		Left Drawer Slide 1	4
⑯		Right Drawer Slide 1	4
⑰		Wall Plug	2
⑱		Screwdriver	1

Assembly Preparation

Before Beginning Assembly:

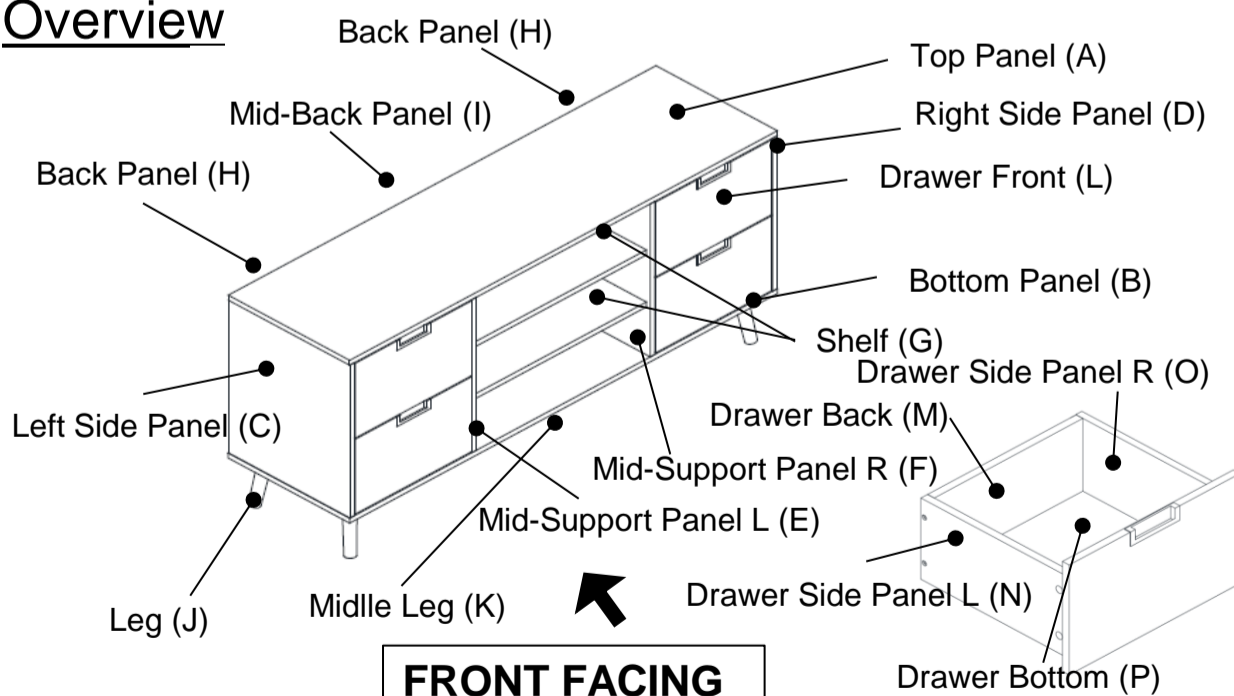


① x24PCS Ø 6x35mm	② x24PCS Ø 15x12mm	③ x24PCS Ø 6x30mm	④ x26PCS Ø 4x14mm	⑤ x2PCS	⑥ x26PCS Ø 4x40mm	⑦ x48PCS Ø 3.5x12mm	⑧ x4PCS
⑨ x1PC	⑩ x8PCS Ø 5x17mm	⑪ x4PCS	⑫ x8PCS Ø 4x10mm	⑬ x4PCS	⑭ x4PCS	⑮ x4PCS	⑯ x4PCS
⑰ x2PCS							

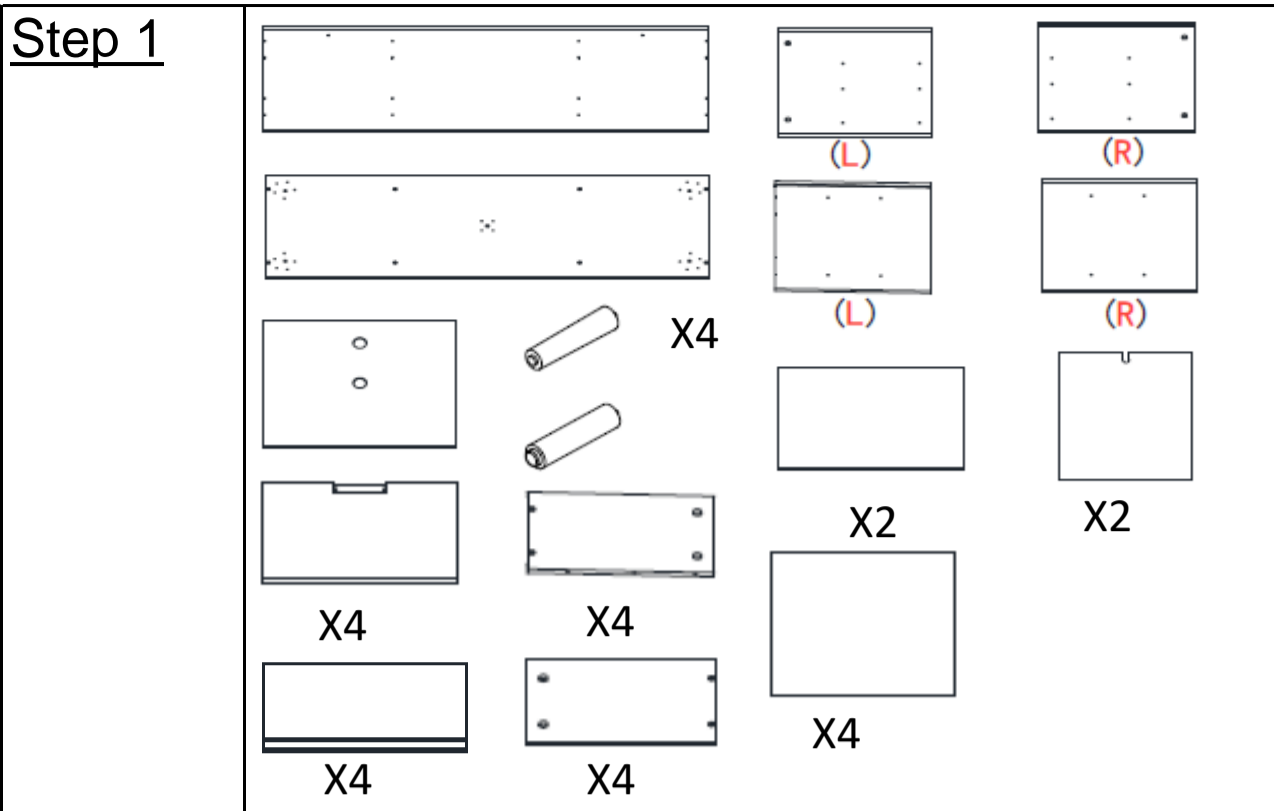
- Read instructions, cover to cover-
- Have 2 adults on hand for assembly-
- Do not assemble on flooring or carpet-
- Assemble on a clean non-marring surface (packing foam)-
- Save all packaging until finished-

Assembly Steps

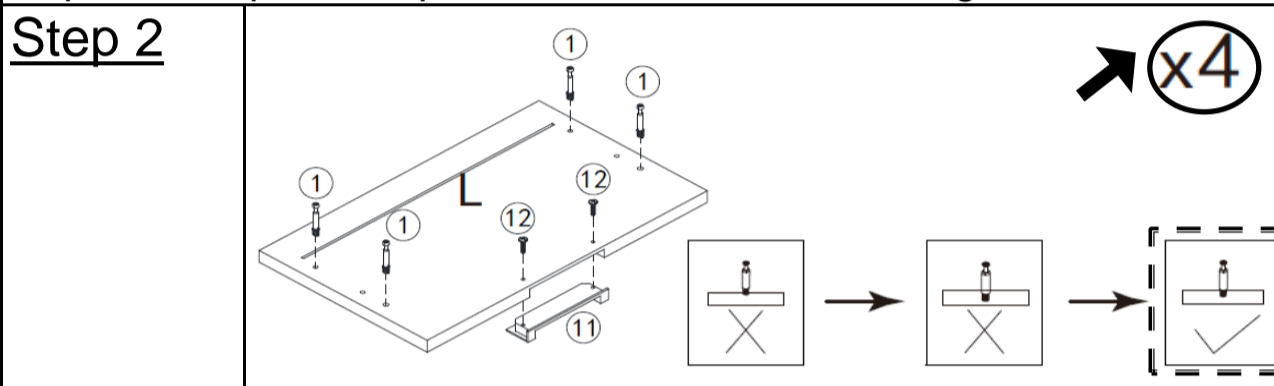
Overview



This TV Stand has multiple parts and may require up to some 45 minutes to assemble. To give you an overview of the TV Stand parts, the above picture is to help you put the various parts into perspective. Please read through the instructions below to familiarise yourself with the parts and steps before assembly.



Unpack and place all parts on a clean, non-marring surface.

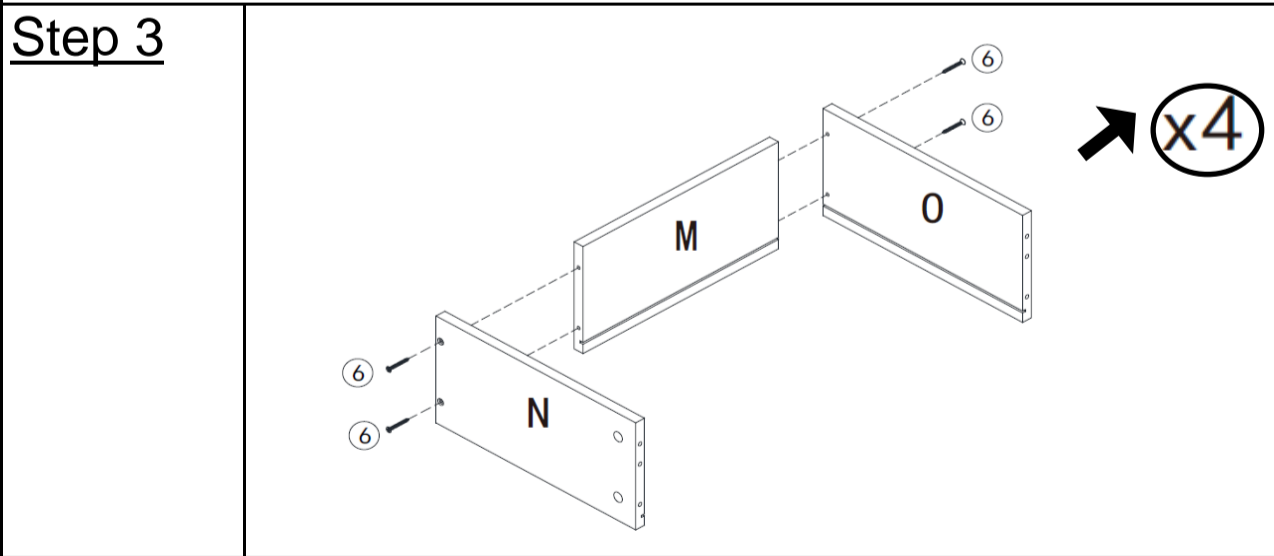


Place the Drawer Front (L) with its inside facing upwards onto a clean, soft surface to avoid any scratches or damage to the product.

Screw the Cam Bolts (1) into the mounting positions on the Drawer Front(L) as shown in picture above.

Screw the Handle (11) into the Drawer Front(L) with Bolts(12).

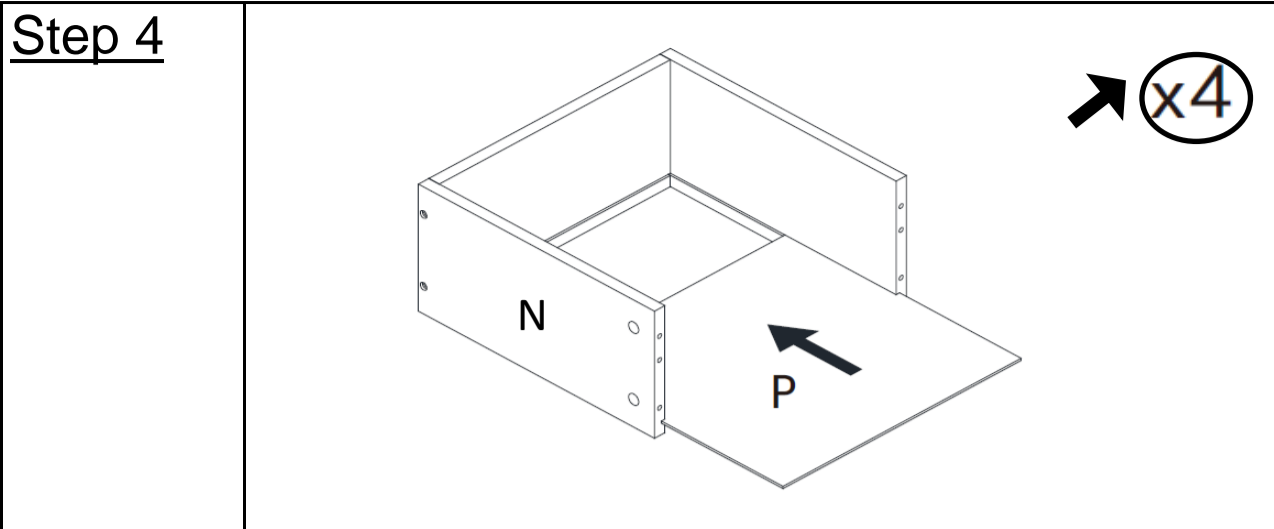
Repeat the same process for the other Drawer Front(L).



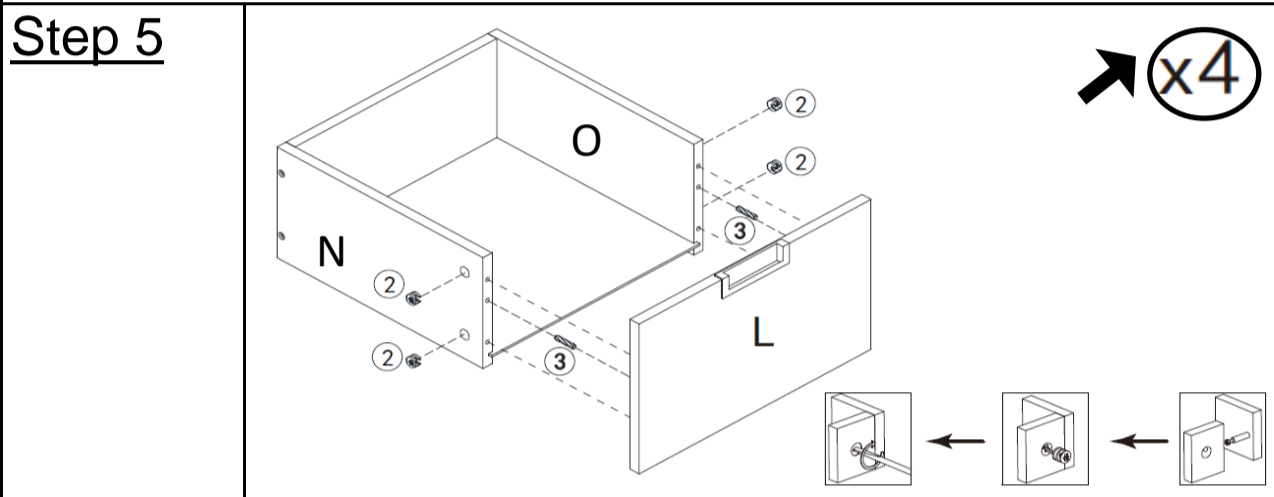
Screw the Drawer Side Panel L(N) and the Drawer Side Panel R(O) into the mounting positions on the Drawer back(M) with Screws (6), using the Screwdriver as shown in the picture above.

Repeat the same process for the other sets.

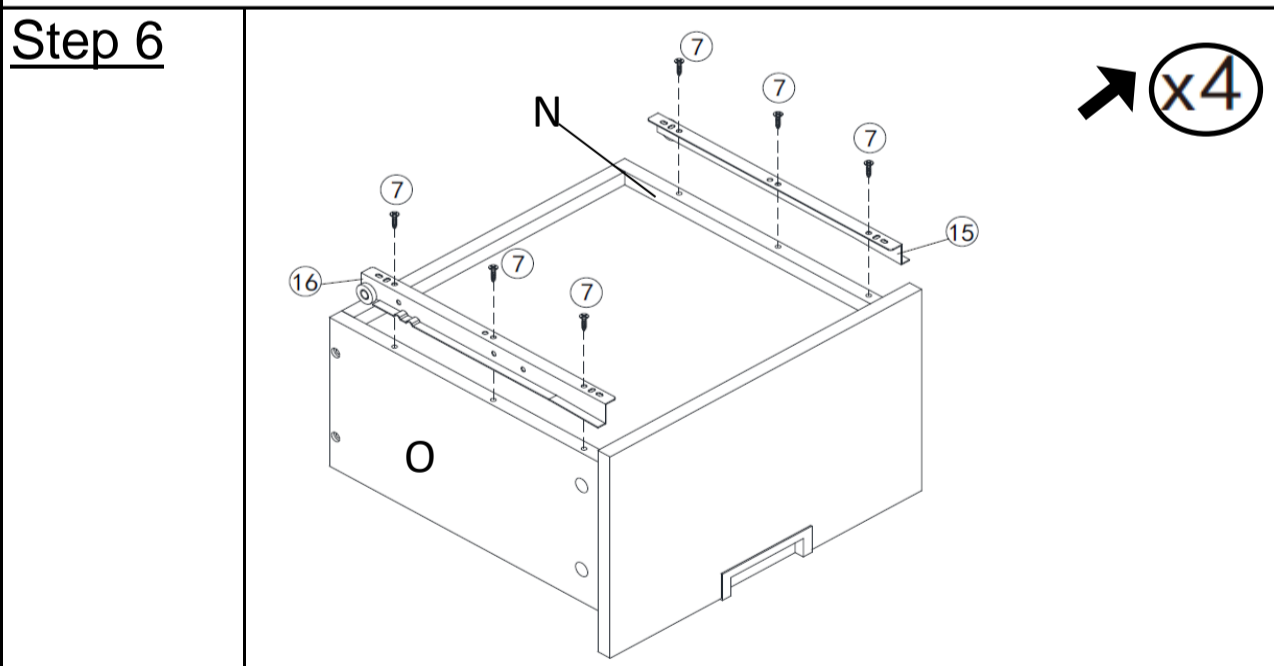
Note: Tighten the Screws.



Place the Drawer Bottom(P) onto the drawer frame with one end fitting into the groove of Drawer Side Panel(N). Repeat the same process for the other sets.

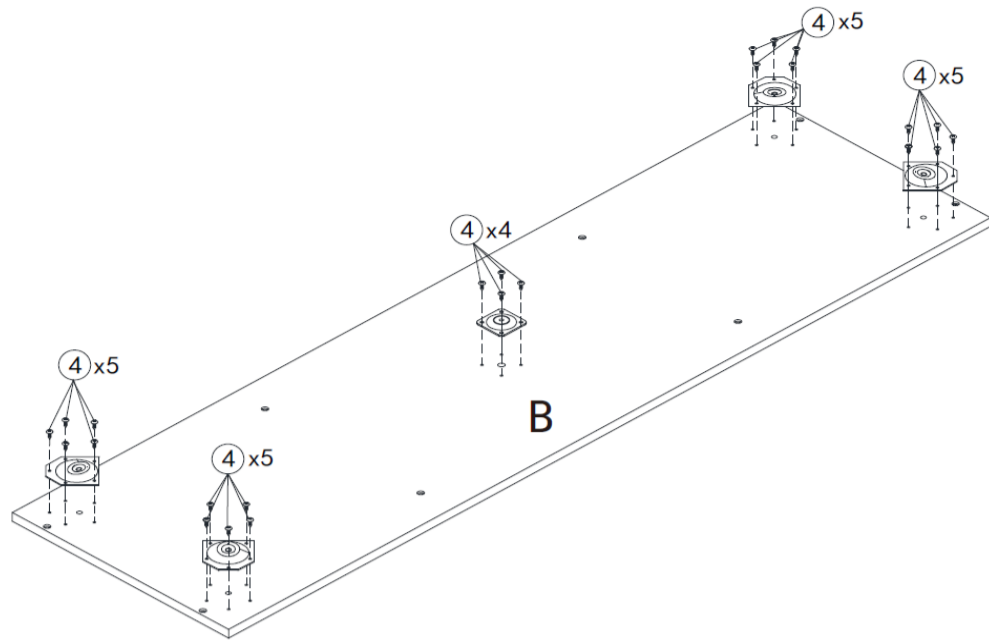


Insert the Cam Locks (②) & the Wooden Dowels(③) into the positions in the Drawer Side Panel L(N) & the Drawer Side Panel R(O) as shown in the picture above.
Align and fasten the Drawer Side Panel L(N) & the Drawer Side Panel R(O) to the Drawer Front Panel(L) using the Screwdriver.
Repeat the same process for the other sets.
Then, turn over the drawer frame.



Align the mounting positions on the Right Drawer Slide 1 (⑯) and the Drawer Side Panel R(O). Repeat same step, align the mounting positions on the Left Drawer Slide 1 (⑮) and the Drawer Side Panel L(N). Then attach using the Screws(⑦).
Repeat the same process for the other sets.

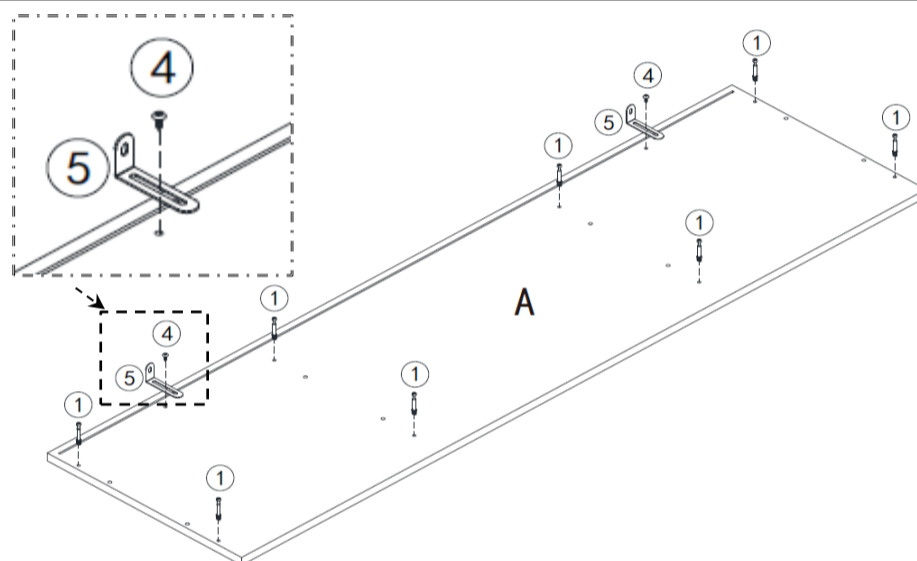
Step 7



Place the Bottom Panel (B) with its inside facing upwards onto a clean, soft surface to avoid any scratches or damage to the product.

Screw the Leg Brackets (⑧) & the Mid-Leg Bracket(⑨) into the mounting positions on the Bottom Panel(B) using Screws (④) and the screwdriver, as shown in picture above.

Step 8

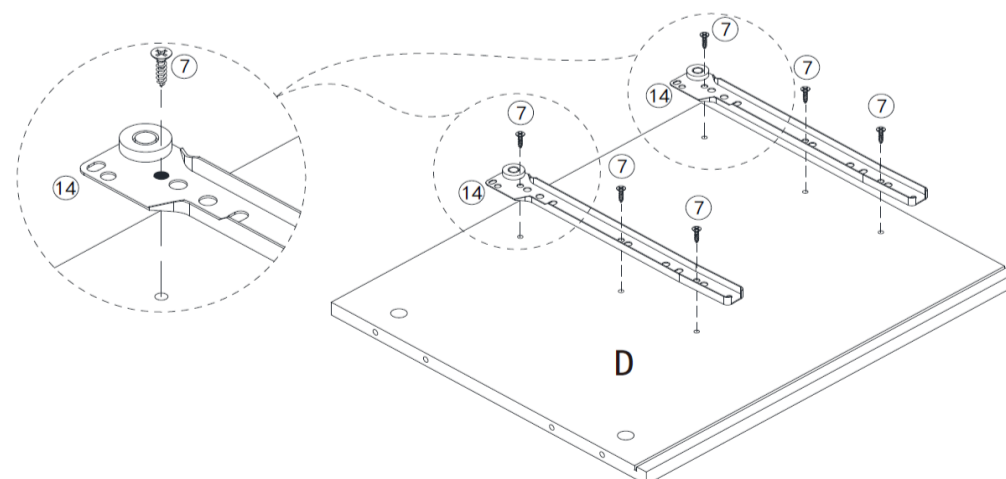


Place the Top Panel (A) with its inside facing upwards onto a clean, soft surface to avoid any scratches or damage to the product.

Screw the Cam Bolts (①) into mounting positions on the Top Panel(A) as shown in picture above.

Screw the Wall Brackets(⑤) onto the Top Panel with Screws(④) as shown in picture above.

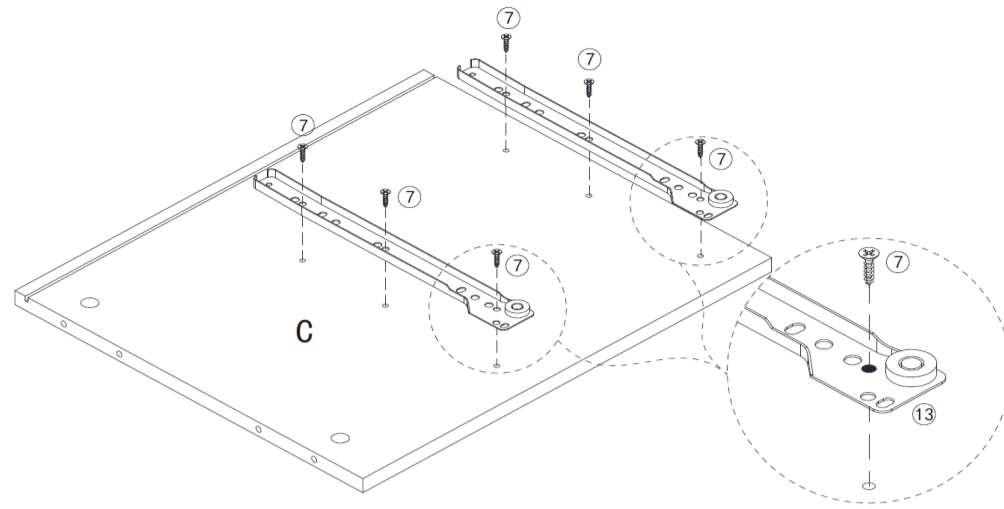
Step 9



Place the Side Panel R(D) with its inside facing upwards onto a clean, soft surface to avoid any scratches or damage to the product.

Align the mounting positions on the Right Drawer Slide 2(⑭) and the Side Panel R(D).Affix it with the Screws(⑦).

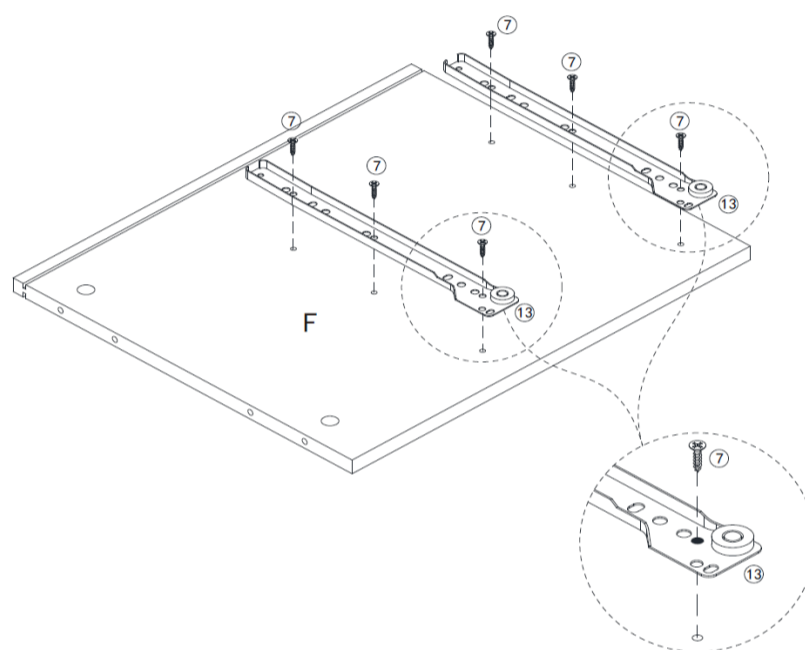
Step 10



Place the Side Panel L(C) with its one side face outward onto a clean, soft surface to avoid any scratches or damages to the product.

Align the mounting positions on the Left Drawer Slide 2(13) and the Side Panel L(C). Affix using Screws(7) and the screwdriver.

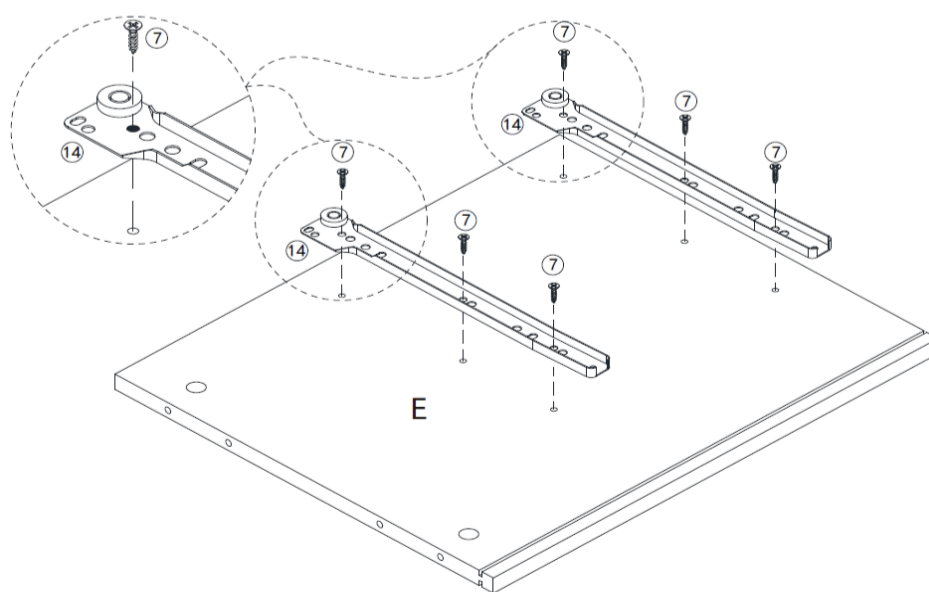
Step 11



Place the Mid-Support Panel R(F) with its inside facing upwards onto a clean, soft surface to avoid any scratches or damage to the product.

Align the mounting positions on the Left Drawer Slide 2(13) and the Mid-Support Panel R(F). Affix using the Screws(7).

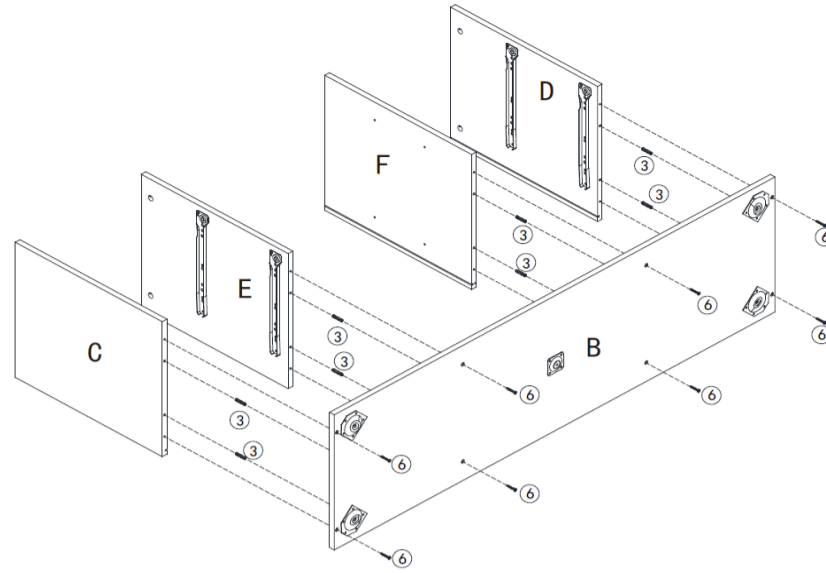
Step 12



Place the Mid-Support Panel L(E) with its inside facing upwards onto a clean, soft surface to avoid any scratches or damage to the product.

Align the mounting positions on the Right Drawer Slide 2(14) and the Mid-Support Panel L(E). Affix with the Screws(7).

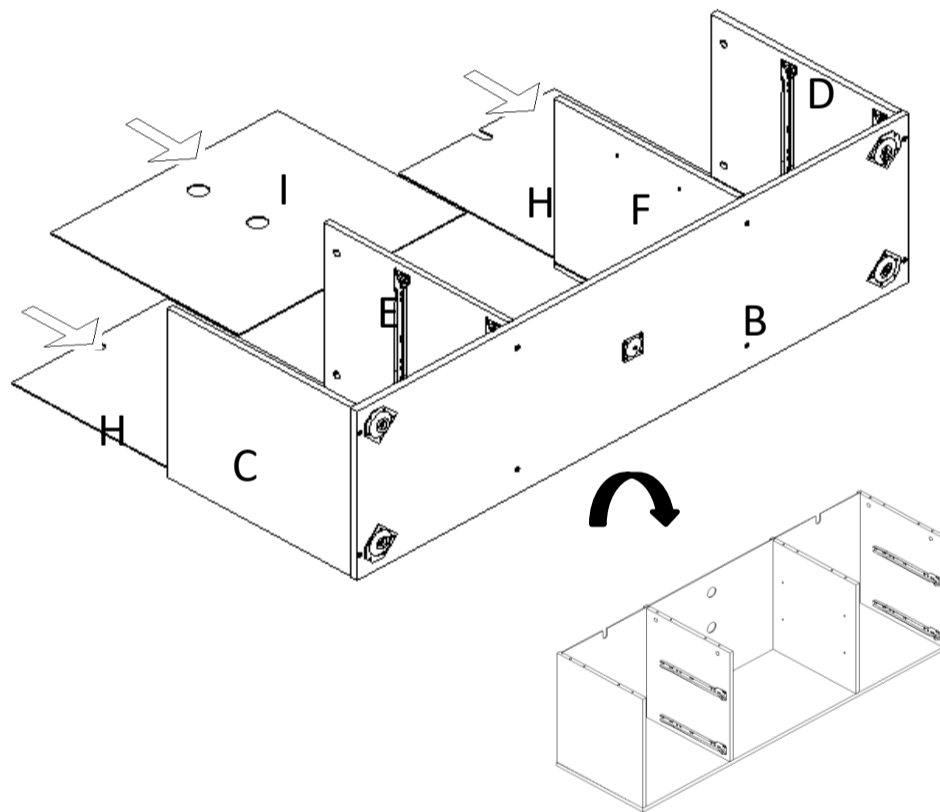
Step 13



Insert the Wooden Dowel(③) into the position of the Side Panel L(C) & the Side Panel R(D) & the Mid-Support Panel L(E) & the Mid-Support Panel R(F).

Align the Wooden Dowel (③) and the mounting positions on the Bottom Panel(B). Affix with the screws(⑥) as shown in picture above.

Step 14



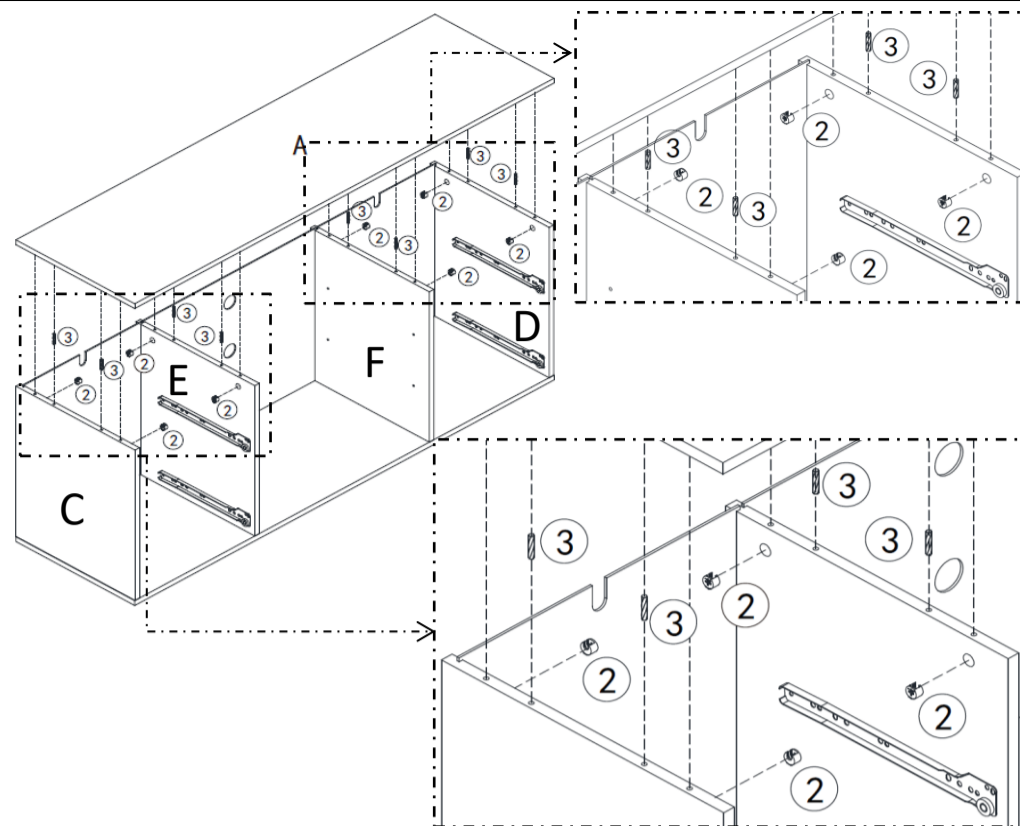
Place the Mid- Back Panel(I) onto the cabinet frame with one end fitting into the groove of Mid-Support Panel L(E).

Place the Back Panel(H) onto the cabinet frame with one end fitting into the groove of the Left Side Panel(C).

Place the Back Panel(H) onto the cabinet frame with one end fitting into the groove of Left Side Panel(D).

Turn the frame frontwards as shown in picture.

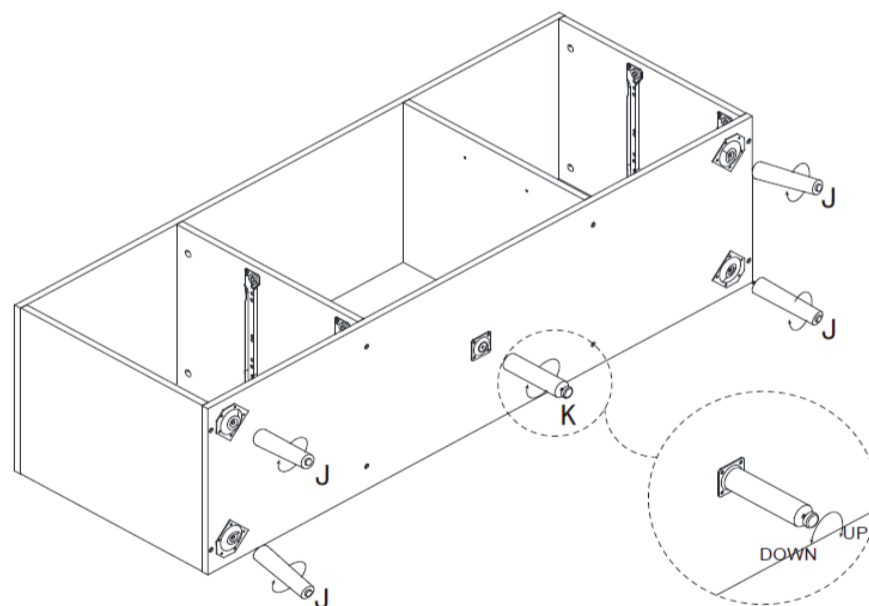
Step 15



Insert the Cam Locks (②) & the Wooden Dowel(③) into the positions in the Left Side Panel(C)& the Mid-Support Panel L(E) & the Mid-Support Panel R (F) & the Right Side Panel(D) as shown in picture above.

Align the Top Panel (A) to the positions of the frame and fasten the Cam Locks (②) using the Screwdriver (⑱).

Step 16

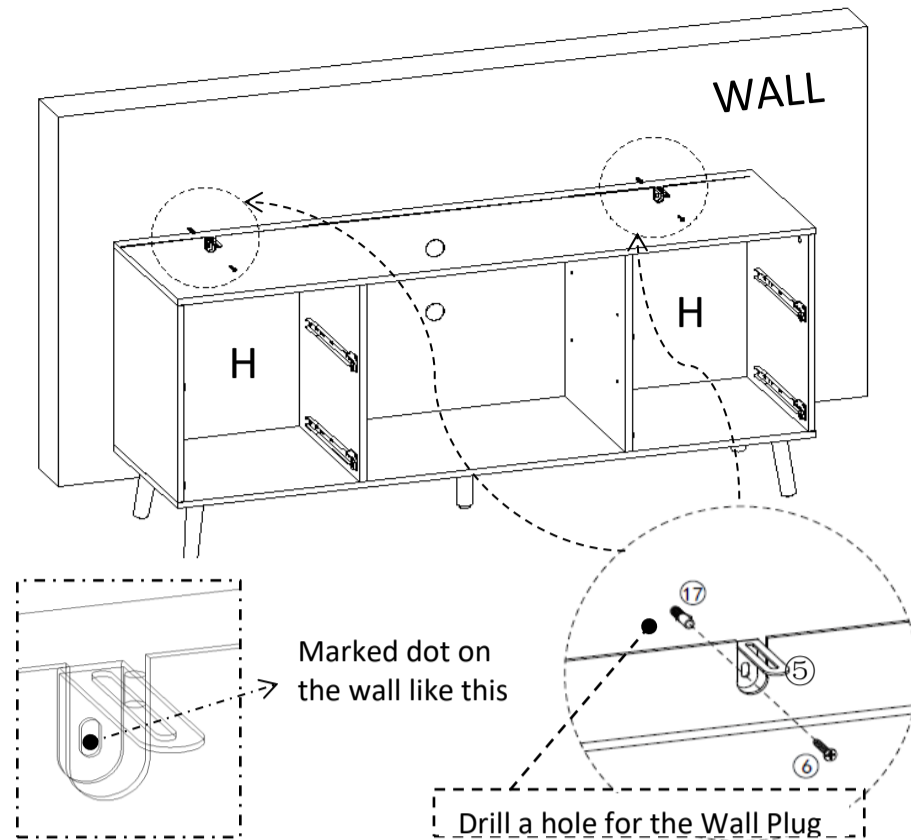


Turn the top panel on its backside.

Align and rotate the Legs(J) and the Mid-Leg(K) in a clockwise direction.

The Mid-Leg is adjustable by rotating the bottom plastic of the Mid-Leg to make the frame horizontal.

Step 17



Turn the TV Stand rightside up. Then move the TV Stand against the wall where you want it to be placed.

17.1 Mark a dot on the wall through the holes on the Wall Bracket (5) which was assembled on the Top Panel (A) as shown in the picture above.

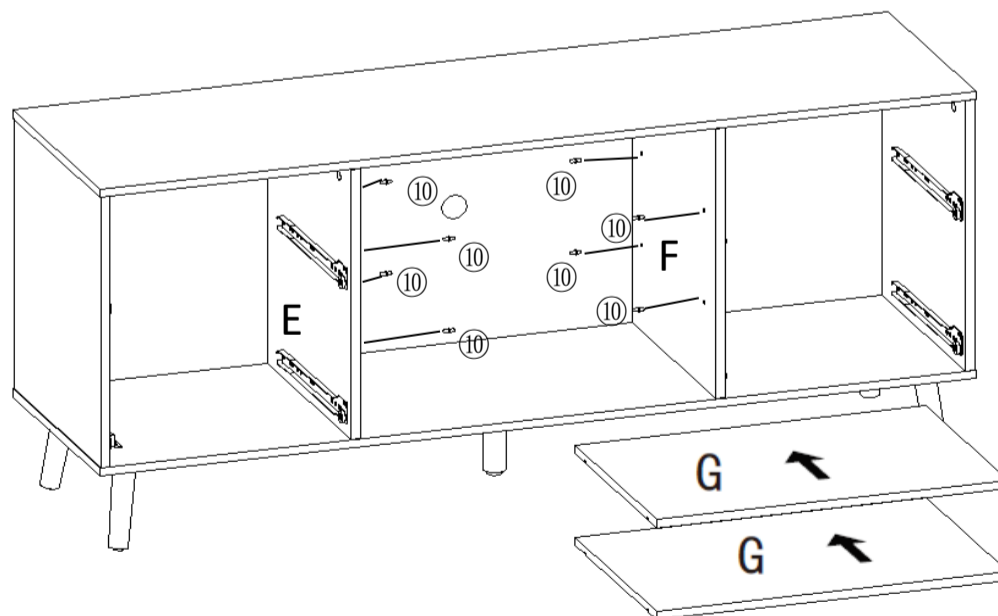
17.2 Move the TV Stand away from the wall.

17.3 Drill a hole in the wall for the Wall Plugs. Then insert the Wall Plugs (17) on it.

17.4 Move the TV Stand by aligning the holes.

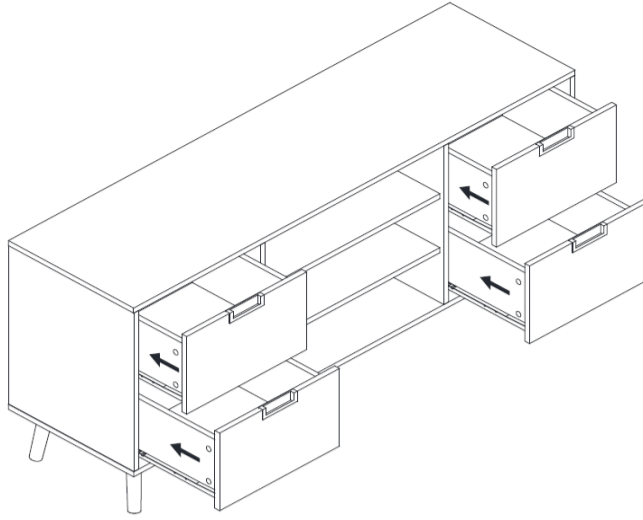
17.5 Then affix the Wall Brackets (5) with Screws (6).

Step 18



Insert the Shelf Support (10) into the position of the Mid-Support Panel L (E) & Mid-Support Panel R (F). Then place the Shelf (G) on it.

Step 19



Put the drawers into the TV Stand and tighten all Screws.

Caution 1 : When tightening these screws, tighten sequentially.

DO NOT tighten any screw fully and then move towards the next one.

Caution 2 :This TV Stand can only be used on a flat, level surface.

Caution 3 :This TV Stand is NOT a TOY.

Care & Maintenance



- Furniture may scratch floors. We recommend using furniture pads to protect your floors.



- Do not put hot items directly on furniture surface.



- Do not clean furniture with harsh cleansers or polish.



- Do not place furniture under direct sunlight.



- Do not place furniture near heating or cooling vents.



- Do not write on furniture without a padded barrier to protect the surface.



- Do not place furniture outside . For indoor use only.



- Not for commercial use. For residential use only.



- Stains may be removed with mild soap solution and damp cloth.



- Children should not climb or jump on the furniture.



- Dust and pick-up spills using a clean, non-colored, lint-free cloth.