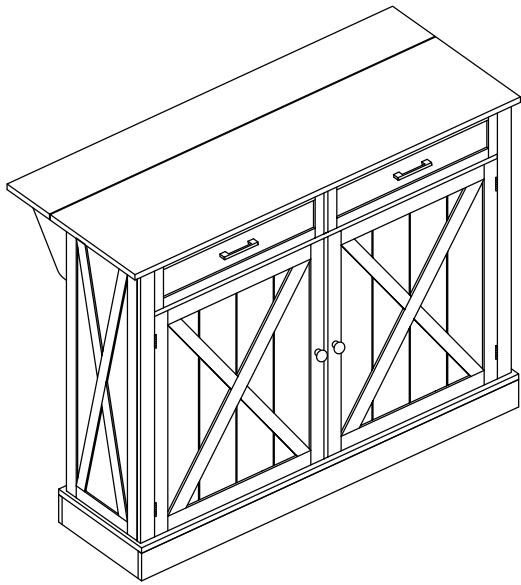


# ASSEMBLY INSTRUCTION

FZ0030051

V. 230511. 01



+1(spare) Ax56pcs	+1(spare) Bx62pcs	+1(spare) 6x30mm Cx12pcs	+1(spare) 3x12mm Dx78pcs	15mm Ex4pcs	Fx7pcs
+1(spare) 4x30mm Gx12pcs	Hx3pcs	Ix2pcs	Jx2pcs	Kx2pcs	Lx2pcs
4x12mm Mx6pcs	Nx8pcs	Ox2pcs	Px2pcs	+1(spare) 5x12mm Qx16pcs	4x14mm Rx4pcs
		Sx2pcs	Tx2pcs	Ux2pcs	Vx2pcs



Scanning the QR code to open assembly instructions.

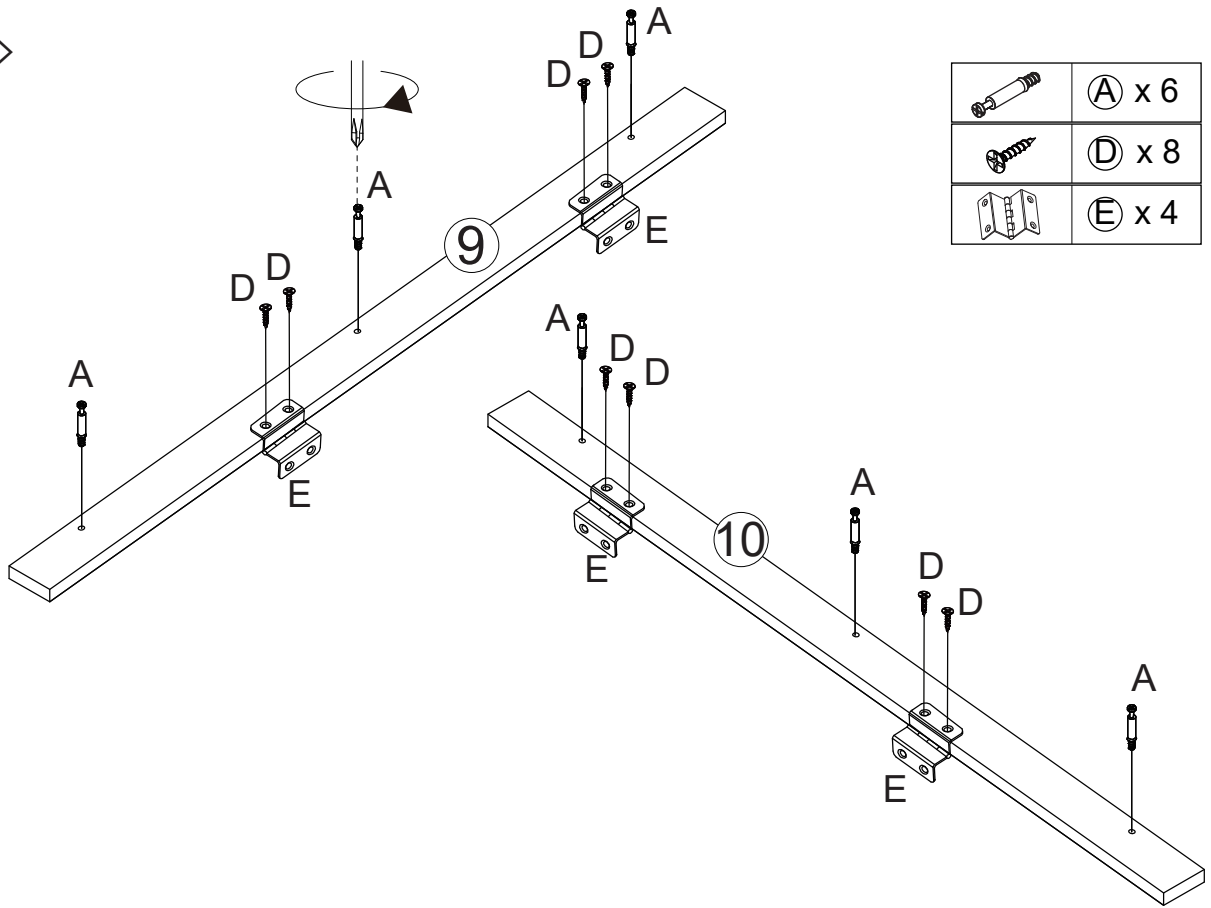
① x1pc      ② x1pc      ③ x1pc      ④ x1pc      ⑤ x1pc

⑥ x1pc      ⑦ x1pc      ⑧ x1pc      ⑨ x1pc      ⑩ x1pc

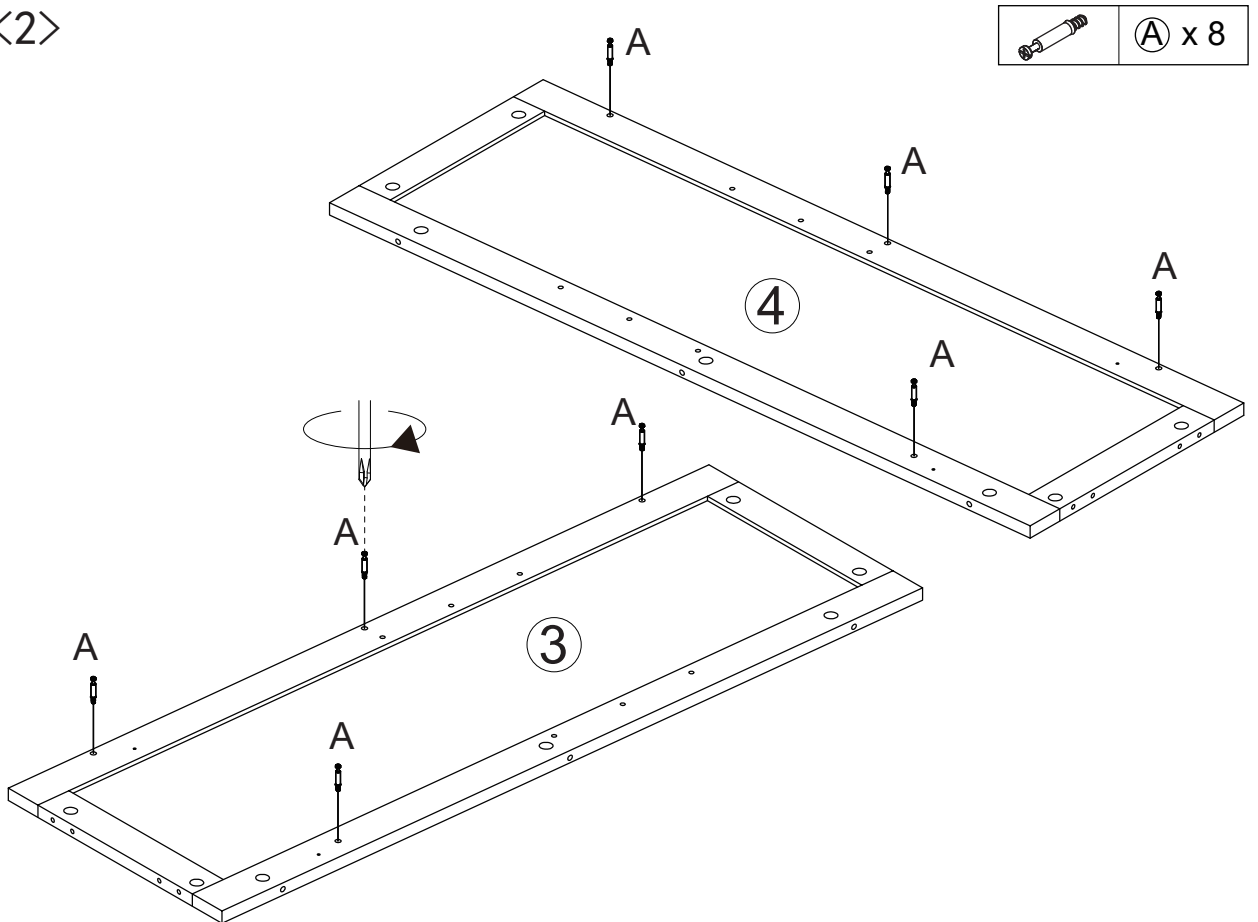
⑪ x2pcs      ⑫ x1pc      ⑬ x1pc      ⑭ x1pc      ⑮ x1pc      ⑯ x2pcs      ⑰ x2pcs

⑱ x2pcs      ⑲ x2pcs      ⑳ x2pcs      ㉑ x2pcs      ㉒ x2pcs      ㉓ x2pcs      ㉔ x1pc

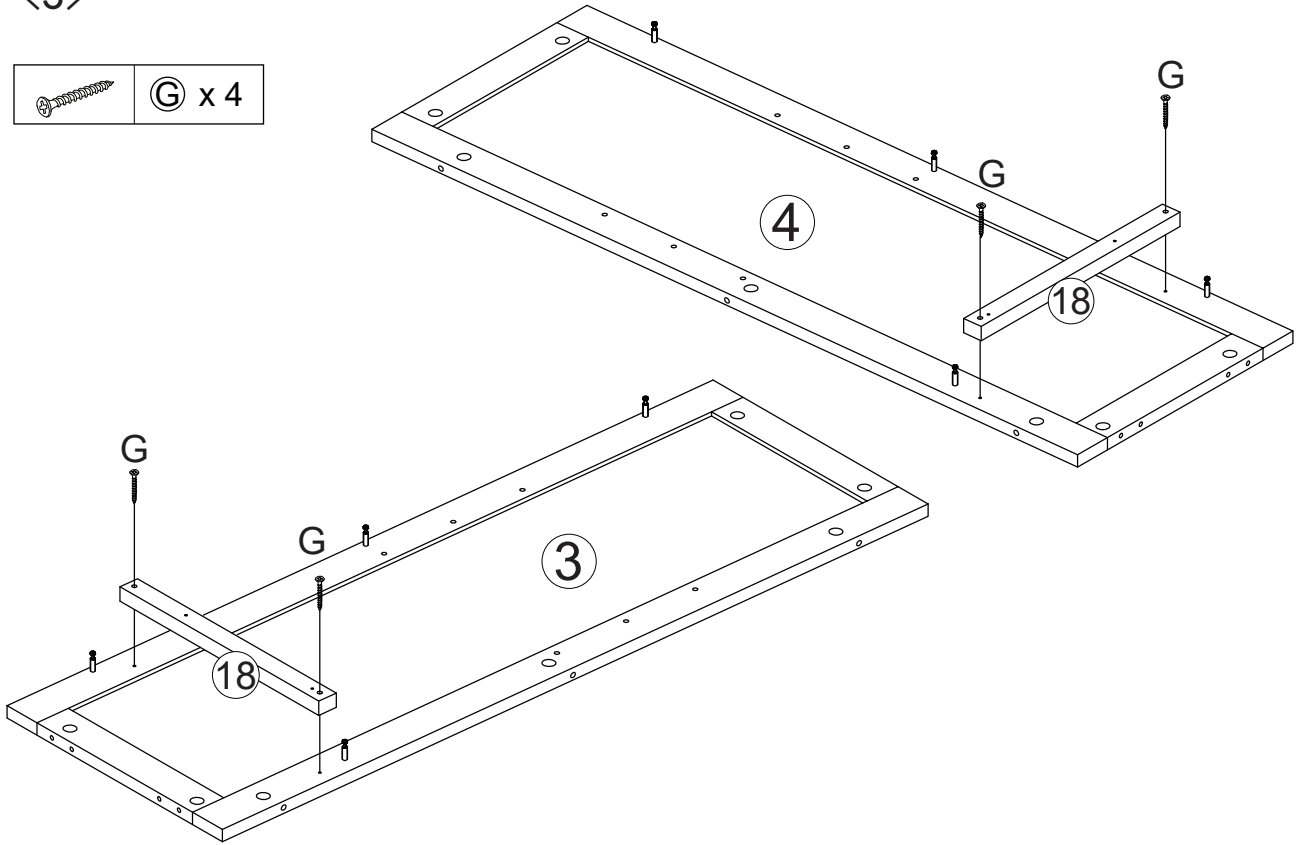
<1>



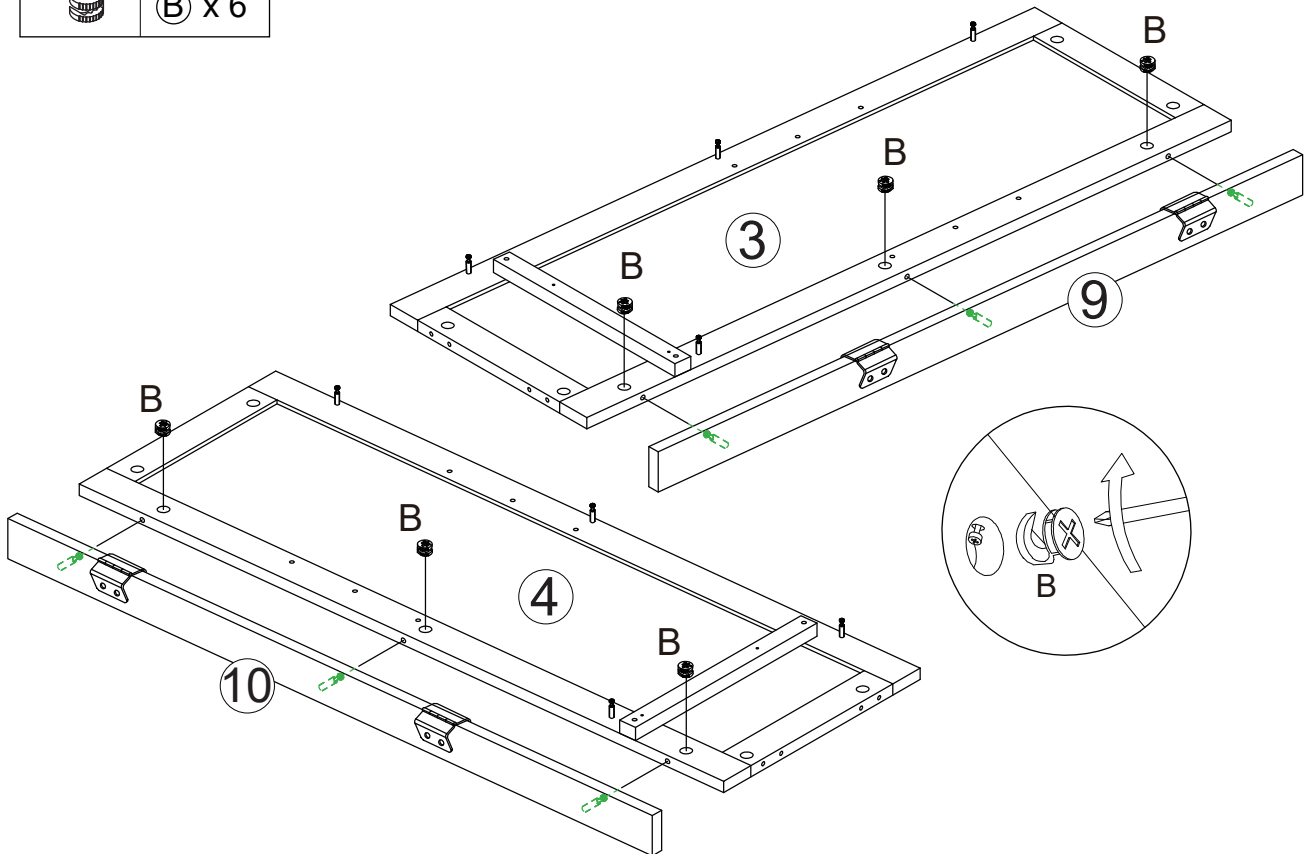
<2>






<3>

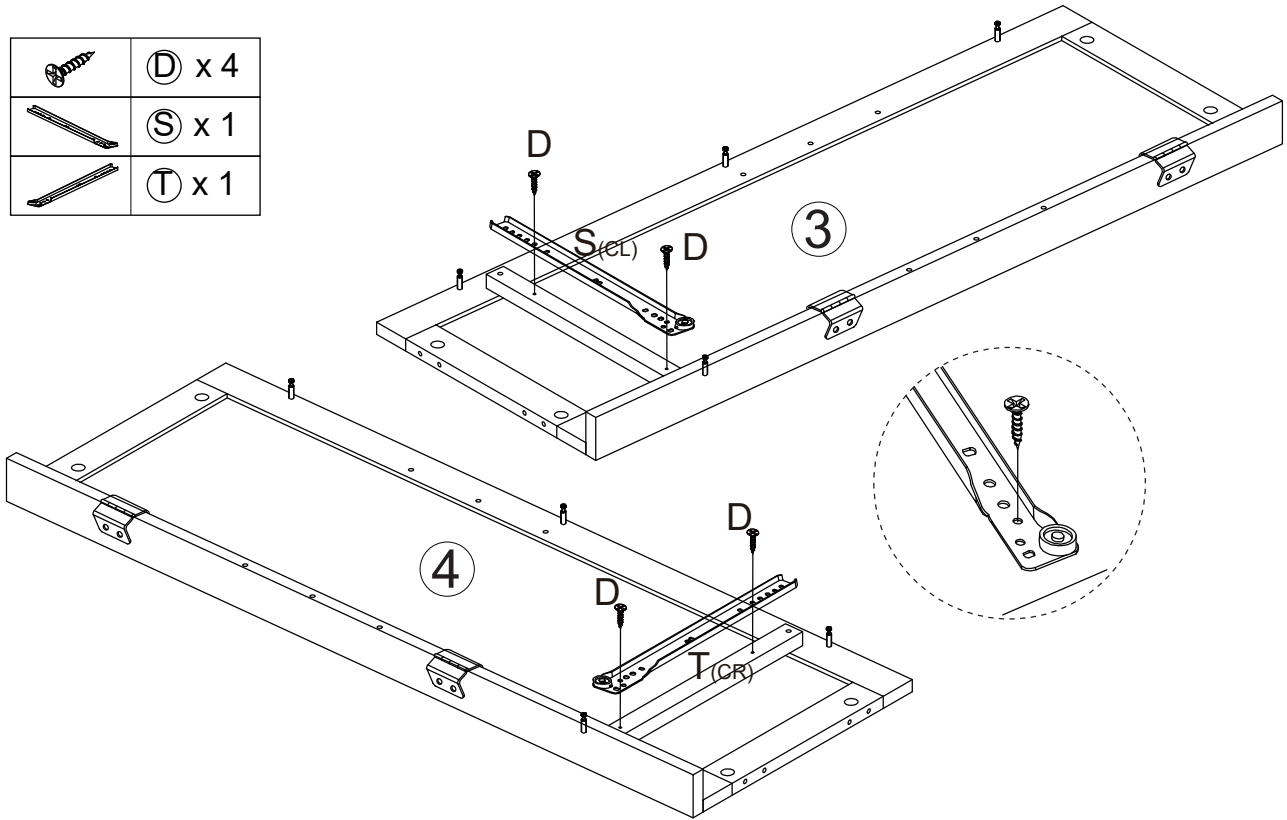


<4>






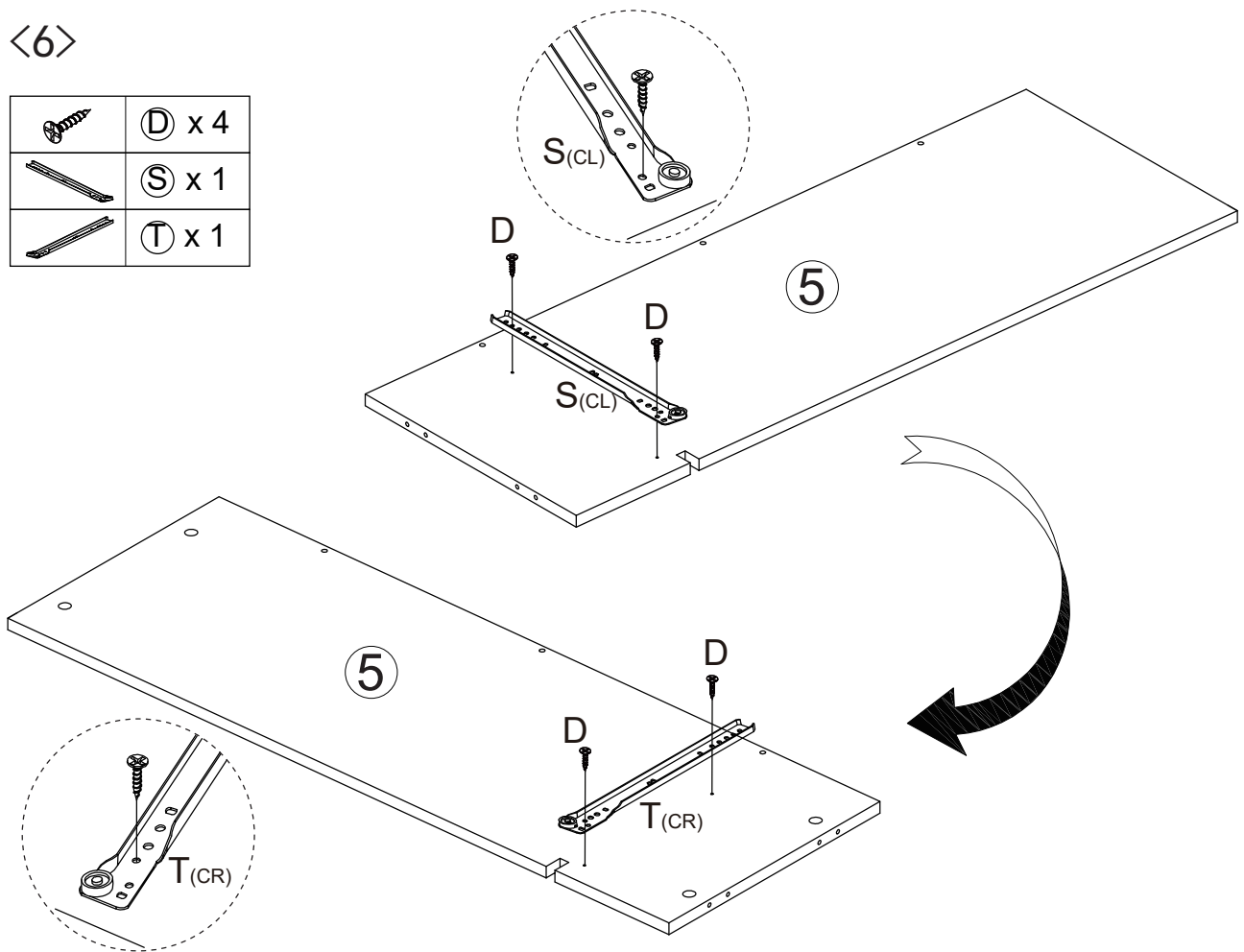
<5>

	ⓓ x 4
	Ⓢ x 1
	Ⓣ x 1


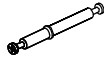


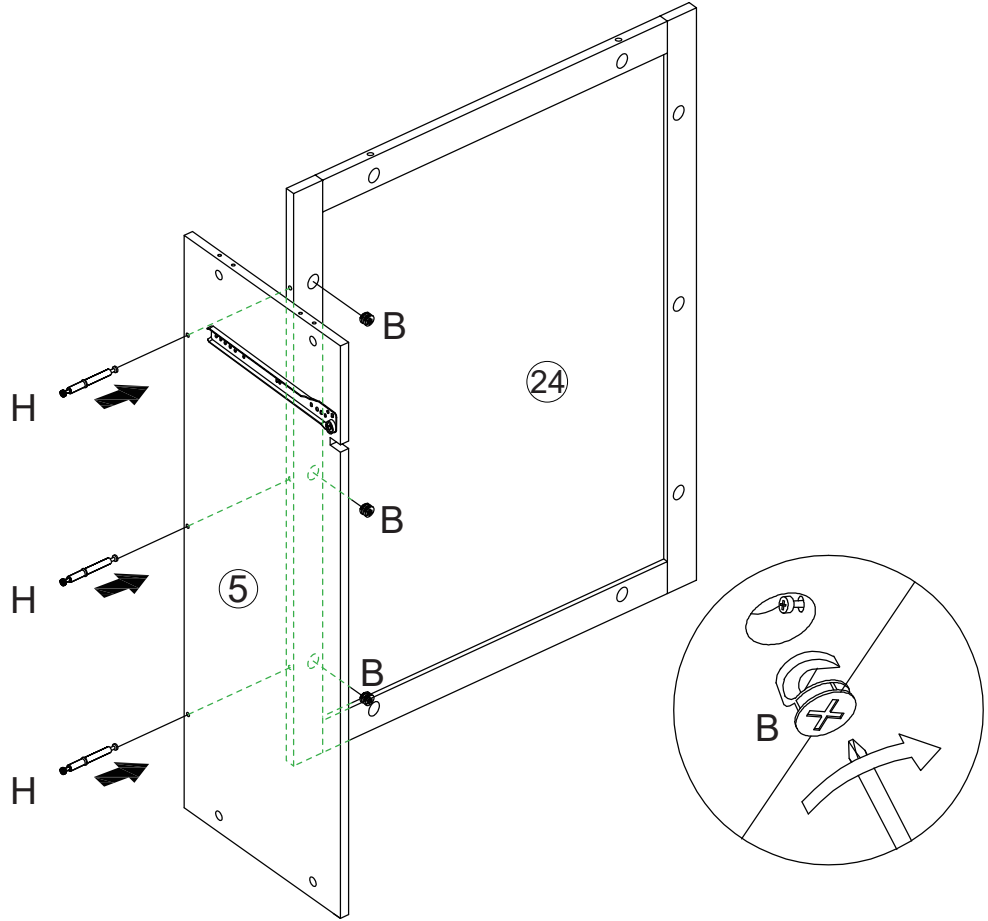
<6>

	ⓓ x 4
	Ⓢ x 1
	Ⓣ x 1



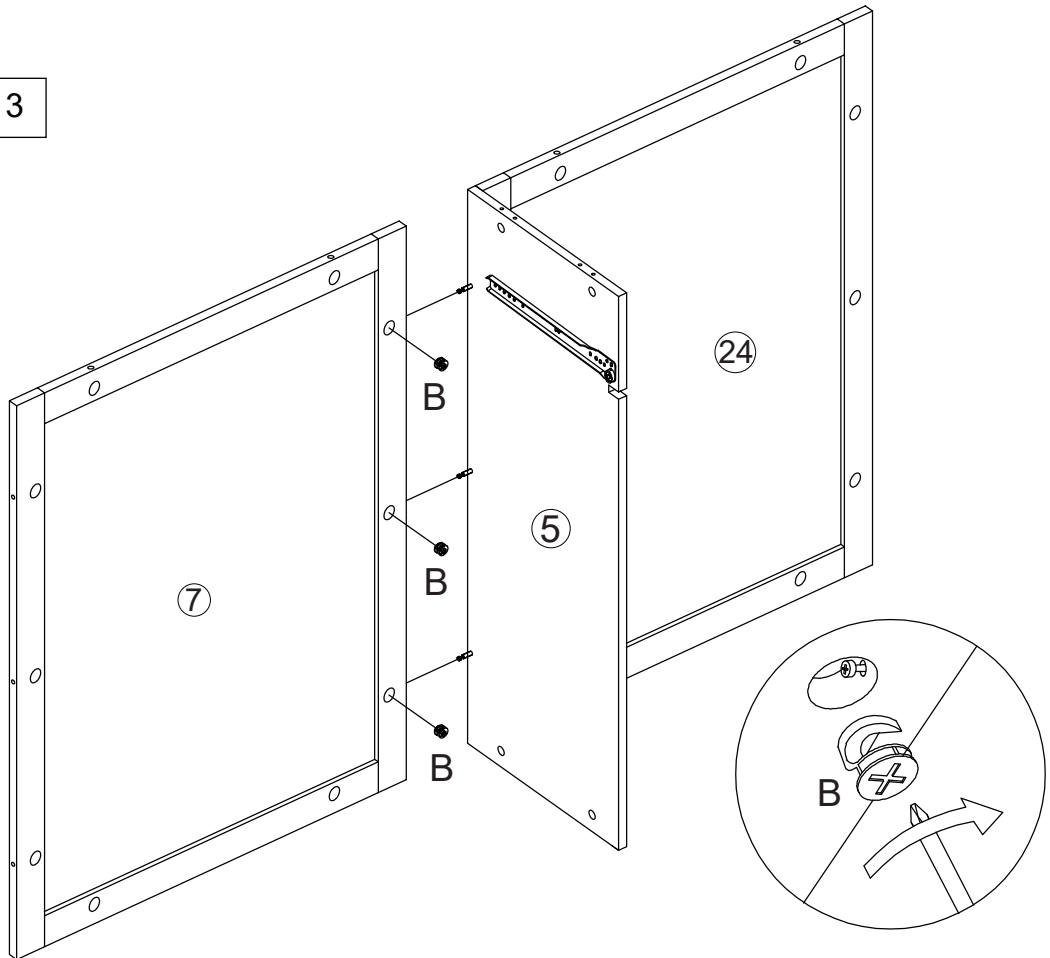
<7>

	<b>B</b> x 3
	<b>H</b> x 3





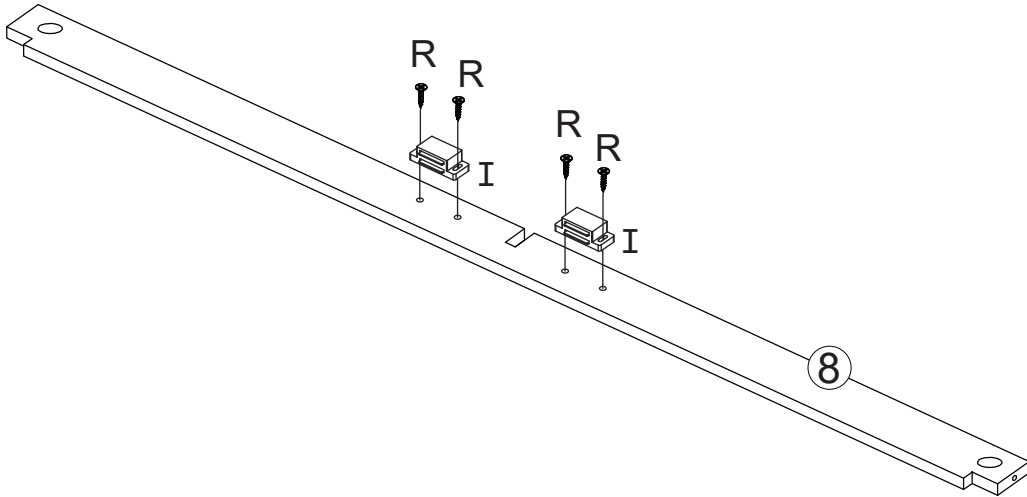
<8>

	<b>B</b> x 3
---	--------------

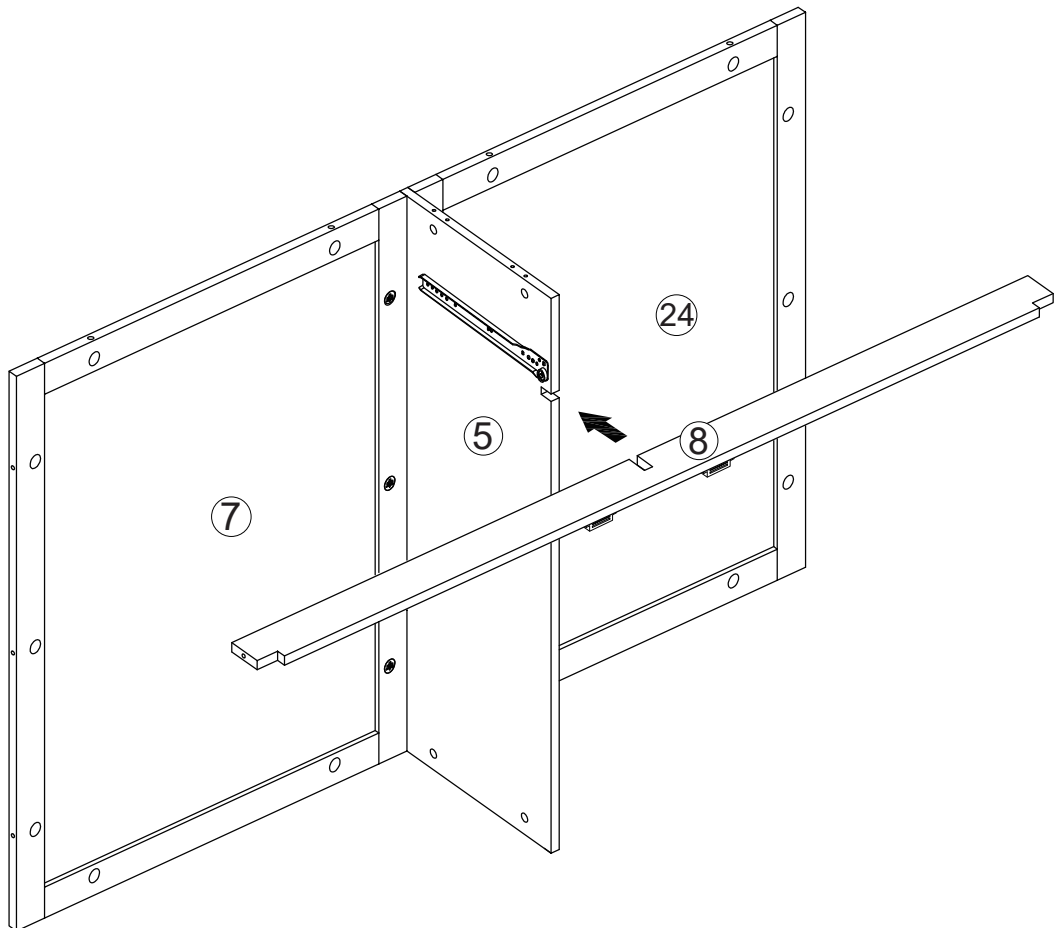


<9>

	ⓐ x 2
	Ⓡ x 4

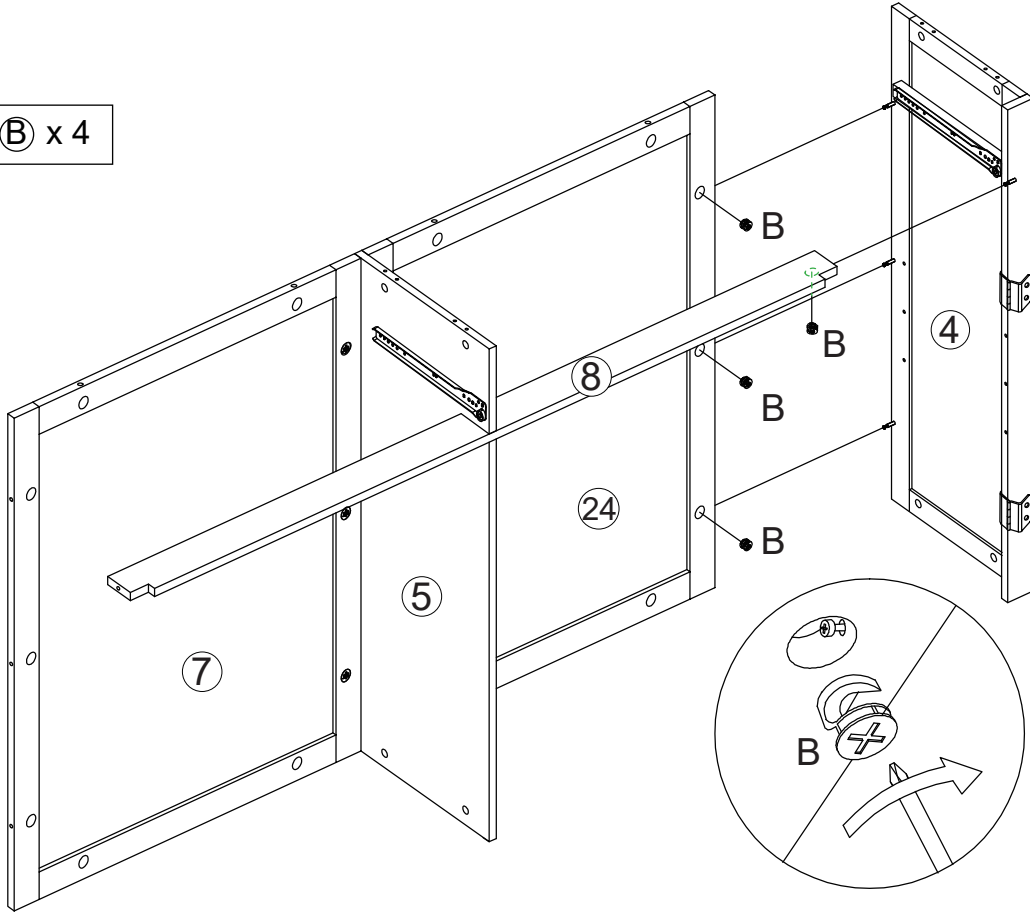


<10>



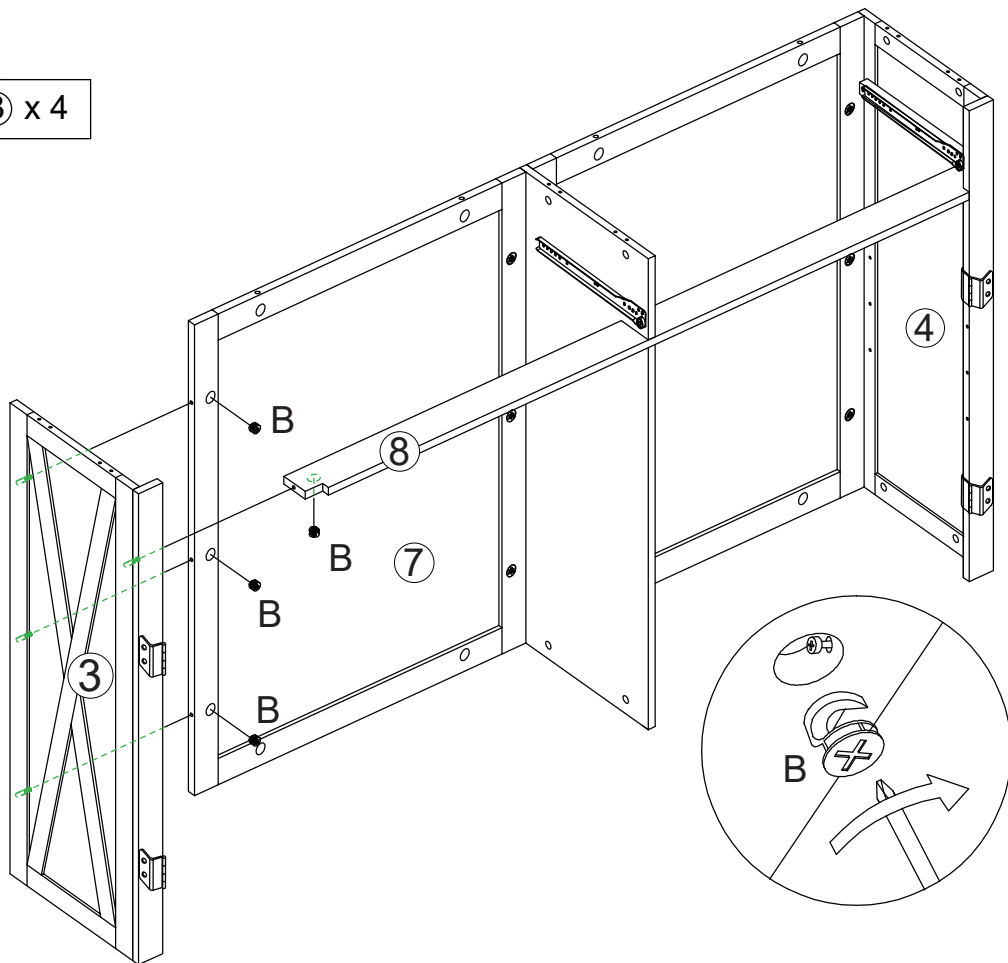
<11>

 B x 4

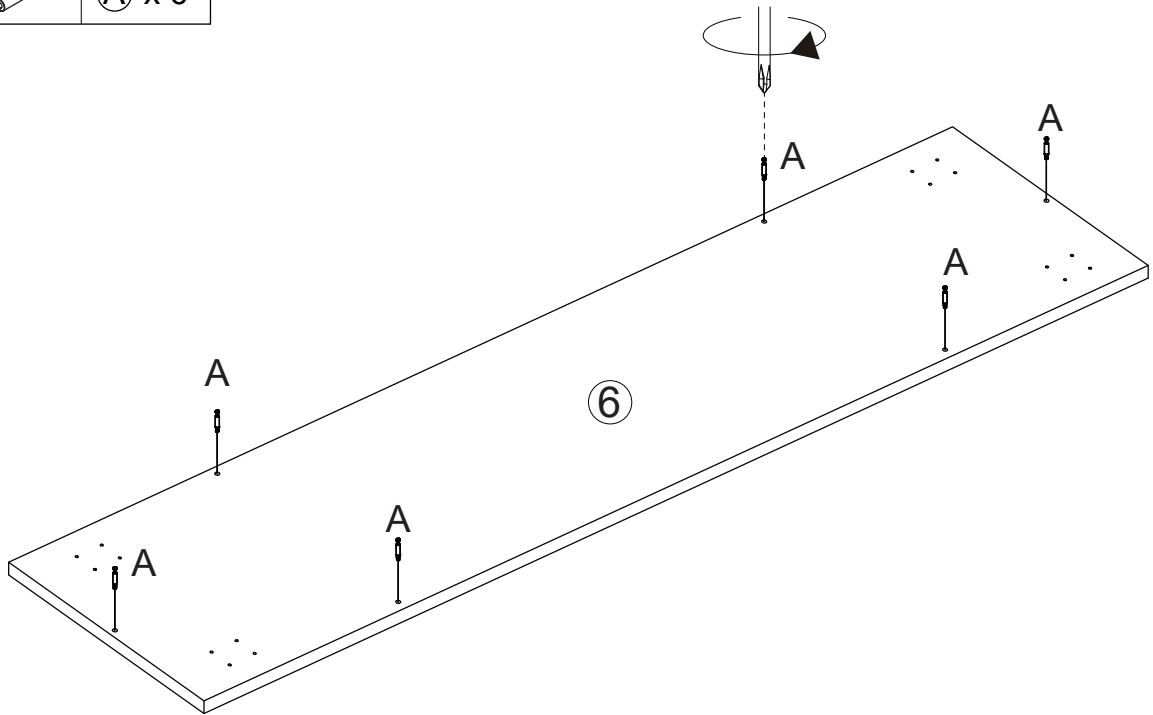


<12>

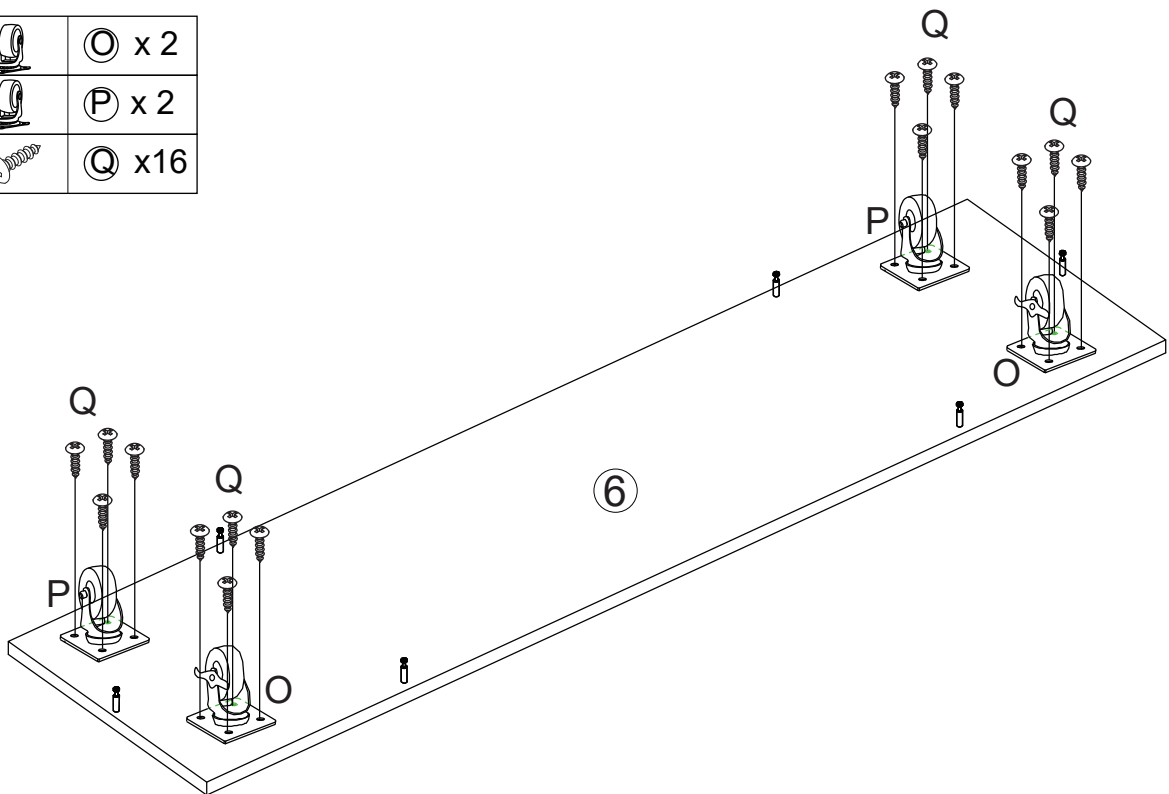
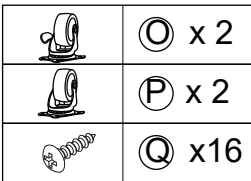
 B x 4



<13>

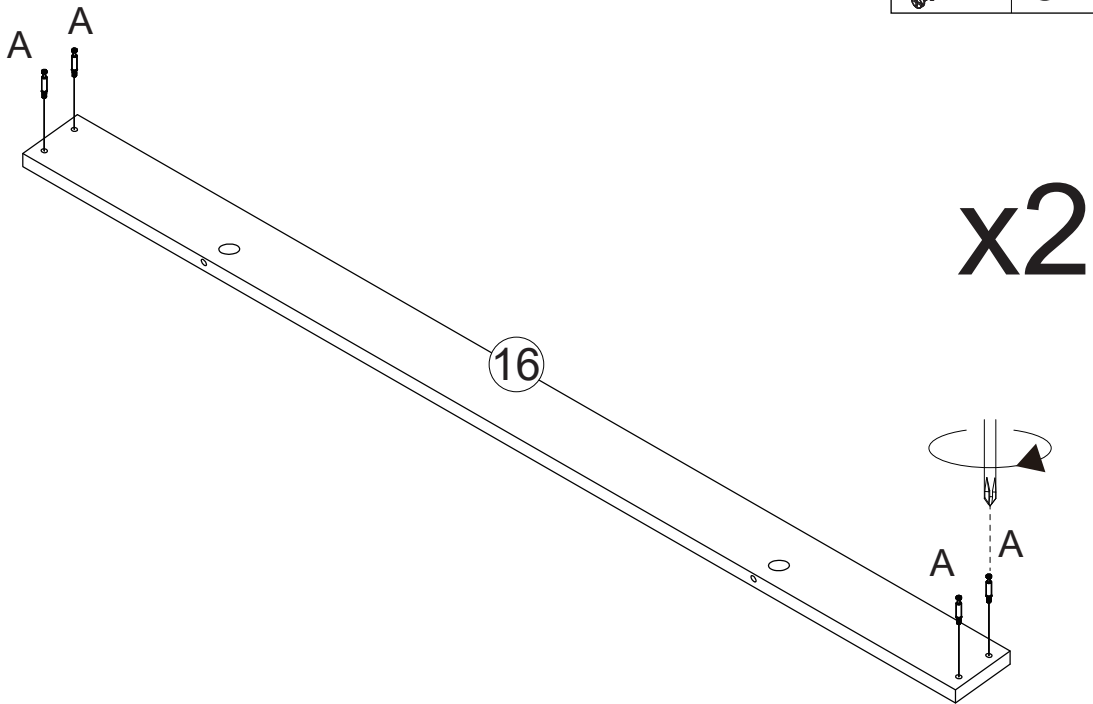
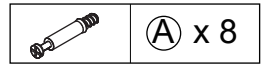


<14>

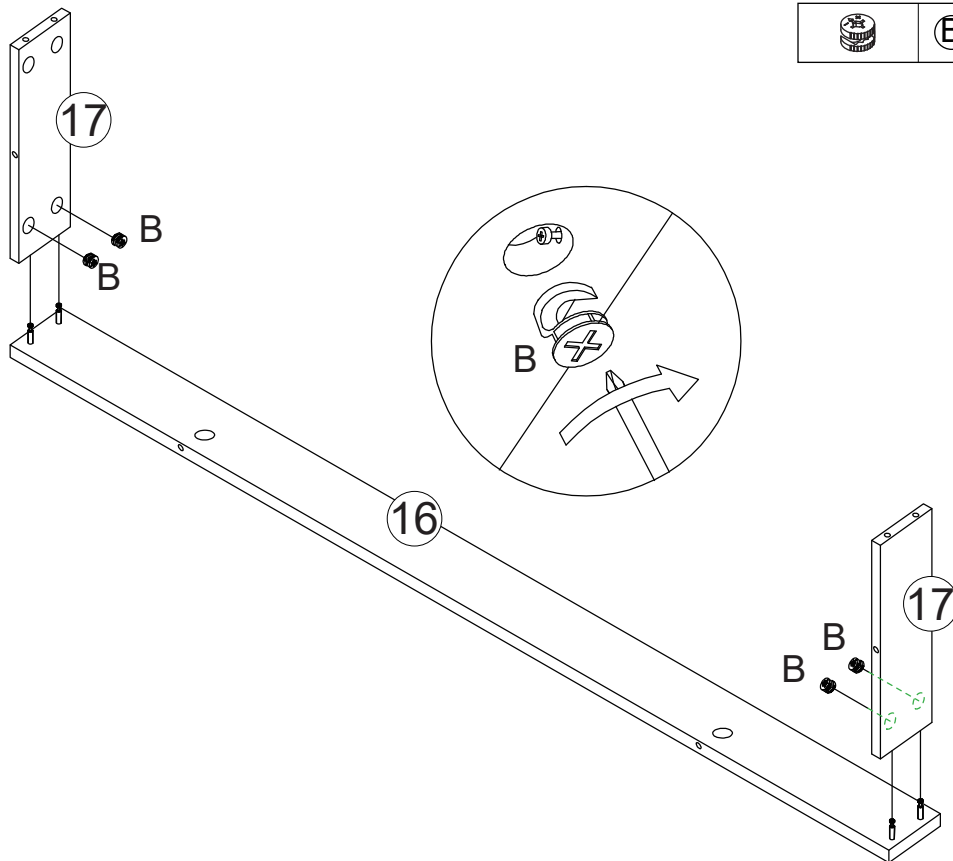




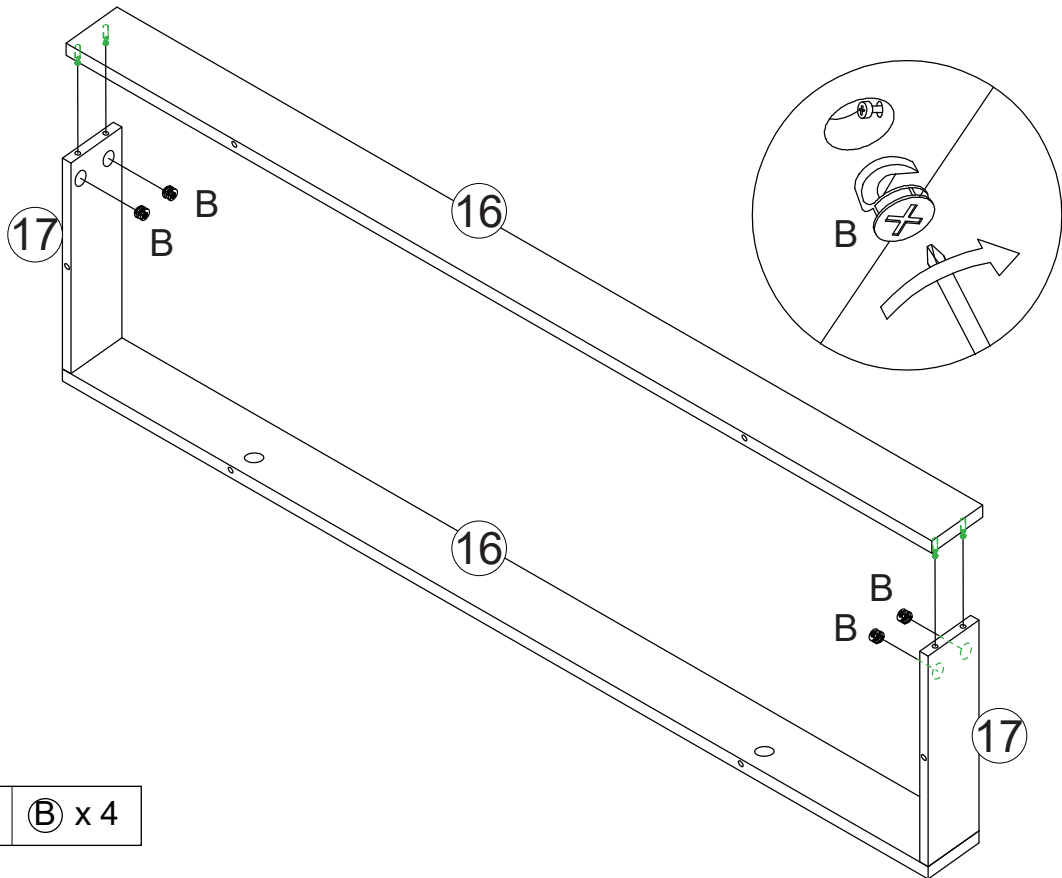
<15>




<16>




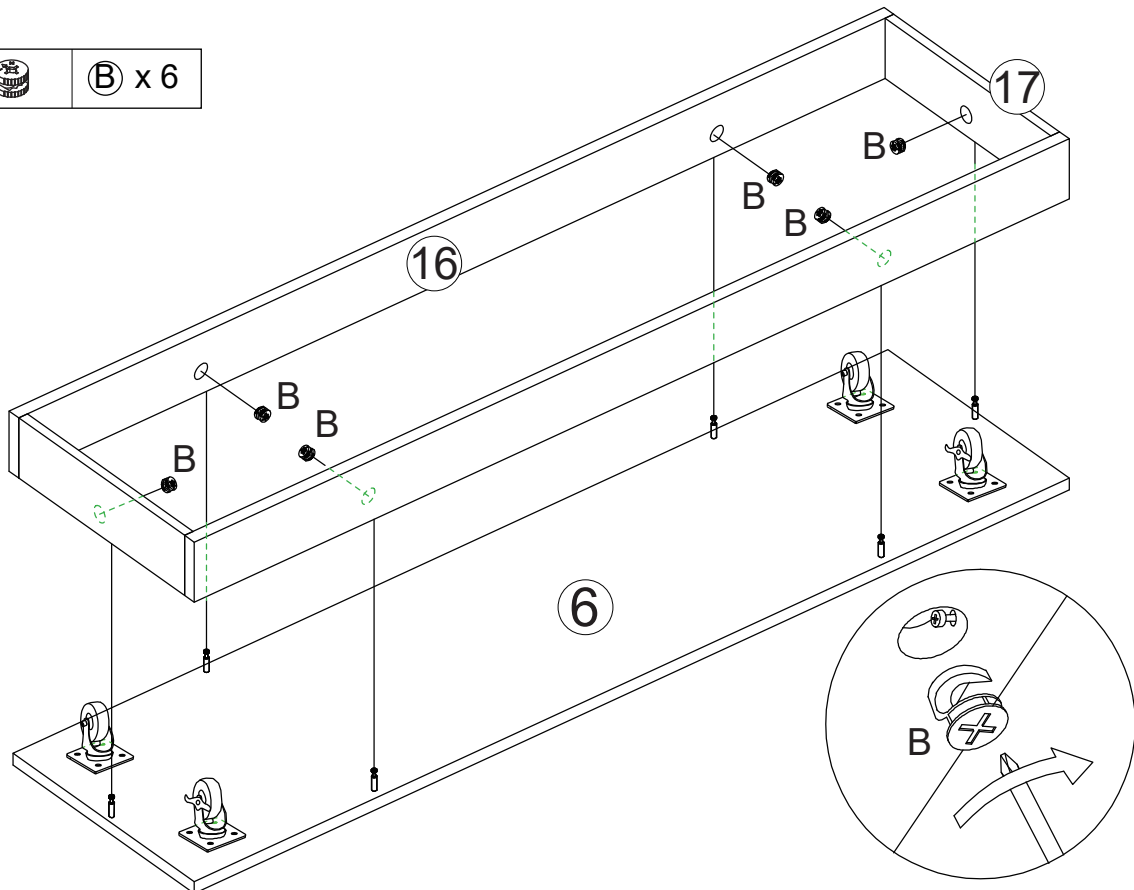
<17>



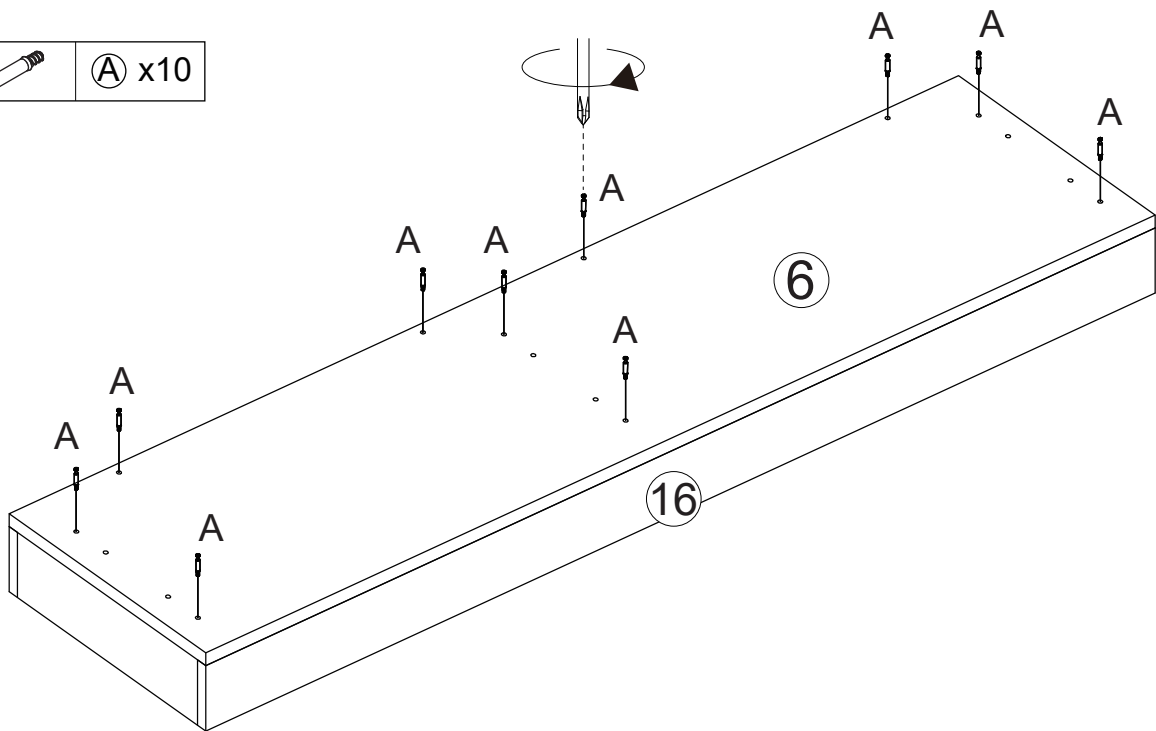
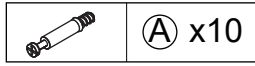
 B x 4

<18>

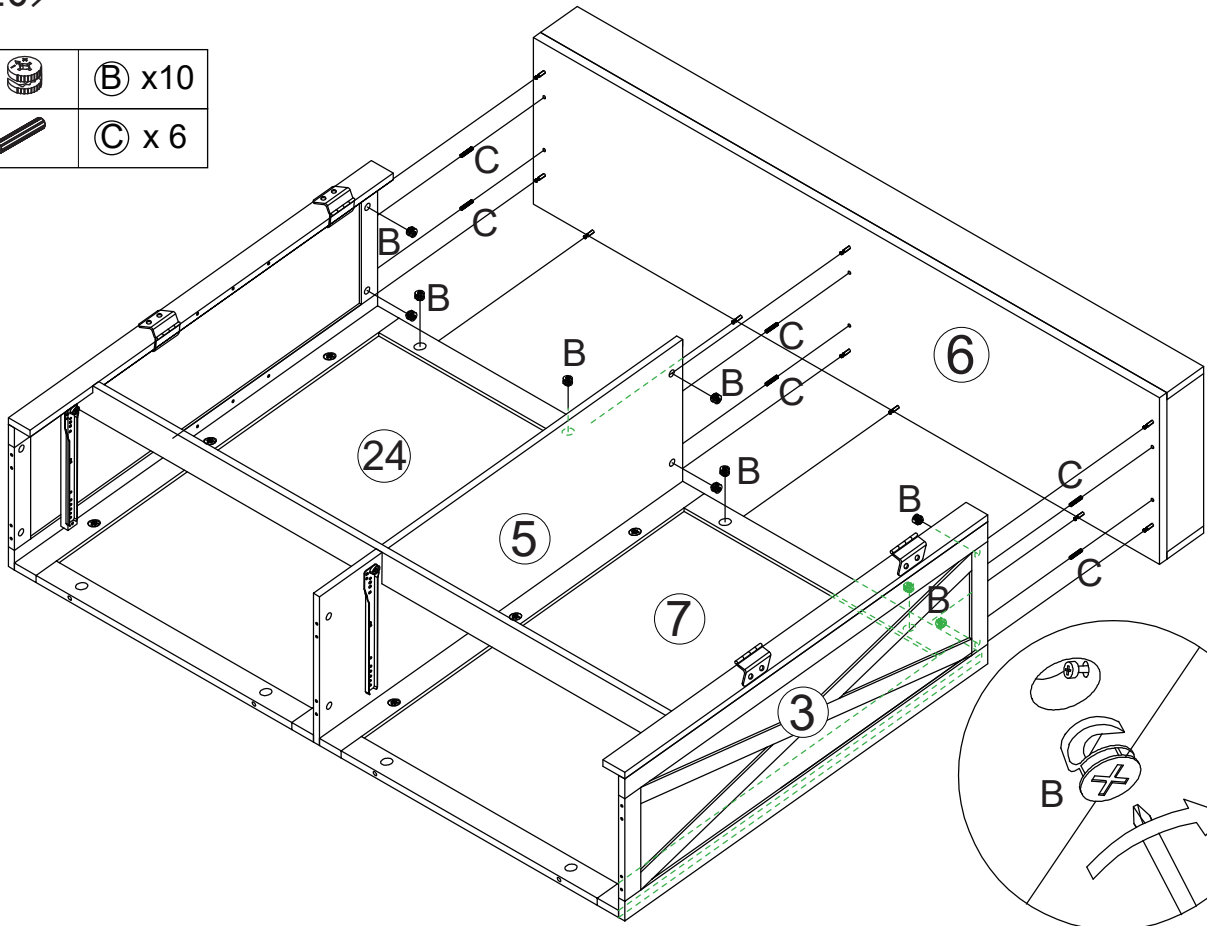
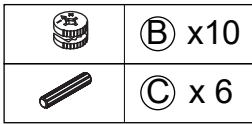
 B x 6





<19>

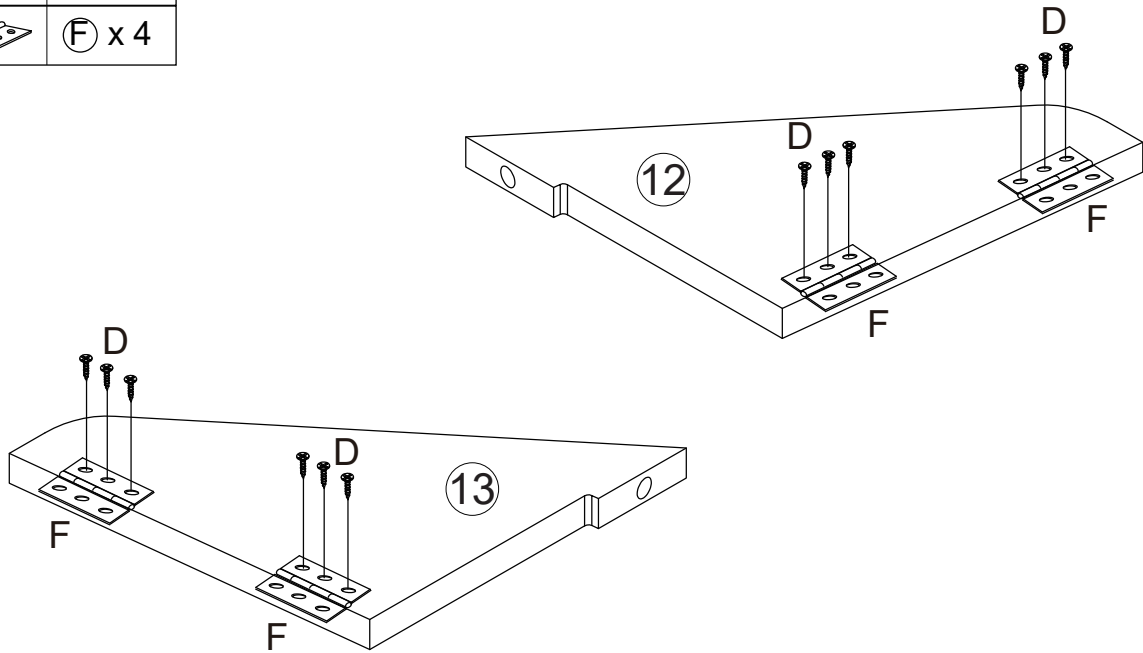


<20>



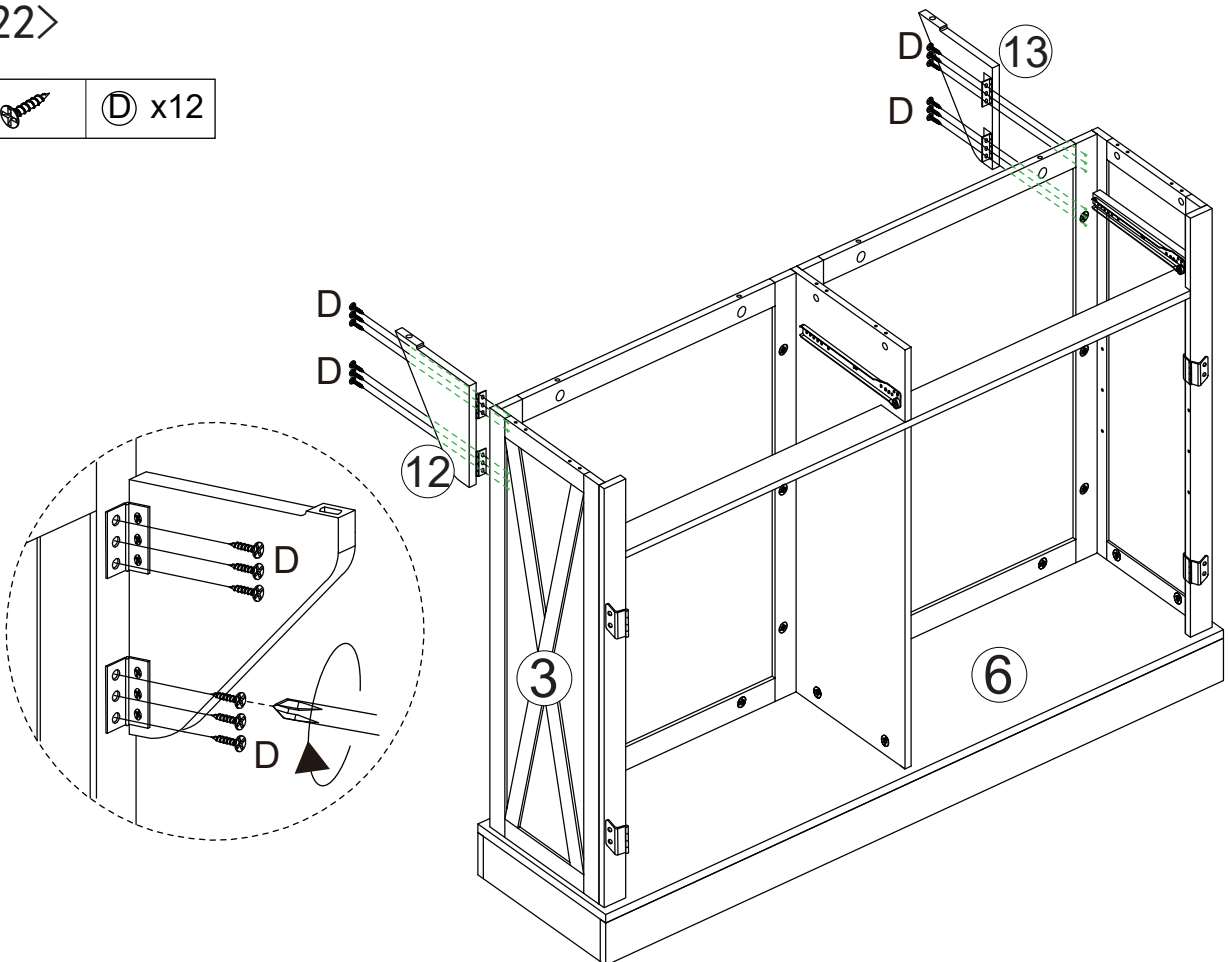
<21>

	ⓓ x12
	ⓕ x4





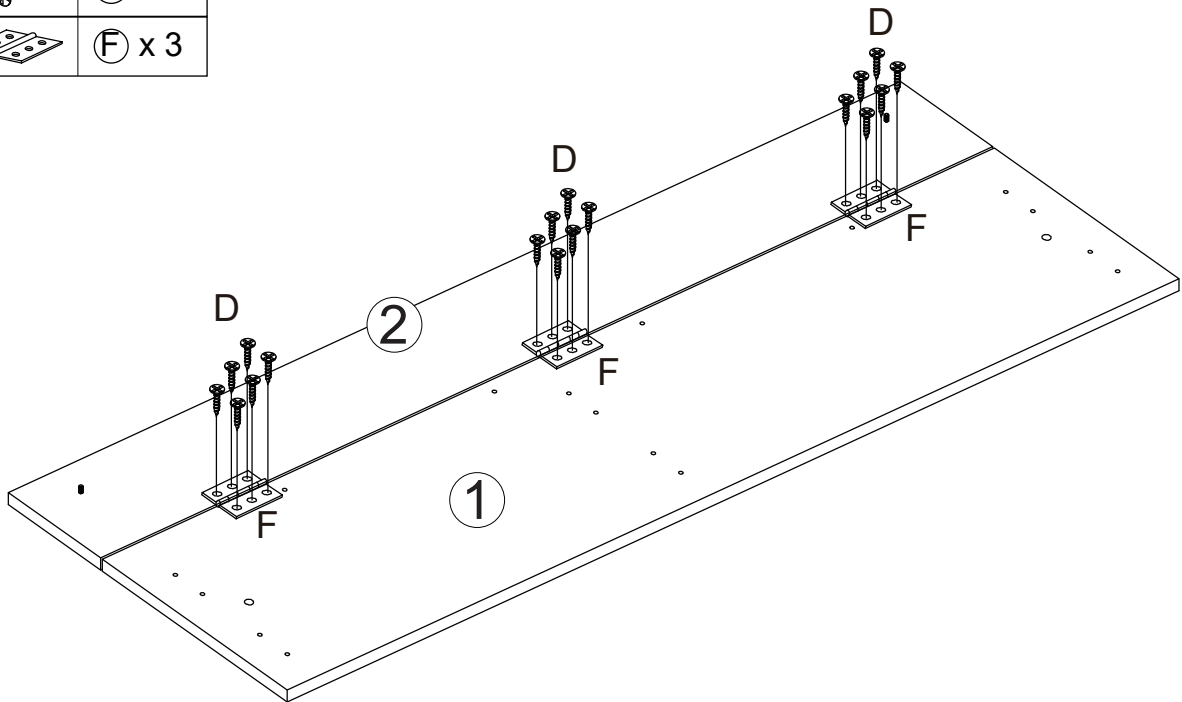
<22>

	ⓓ x12
---	-------




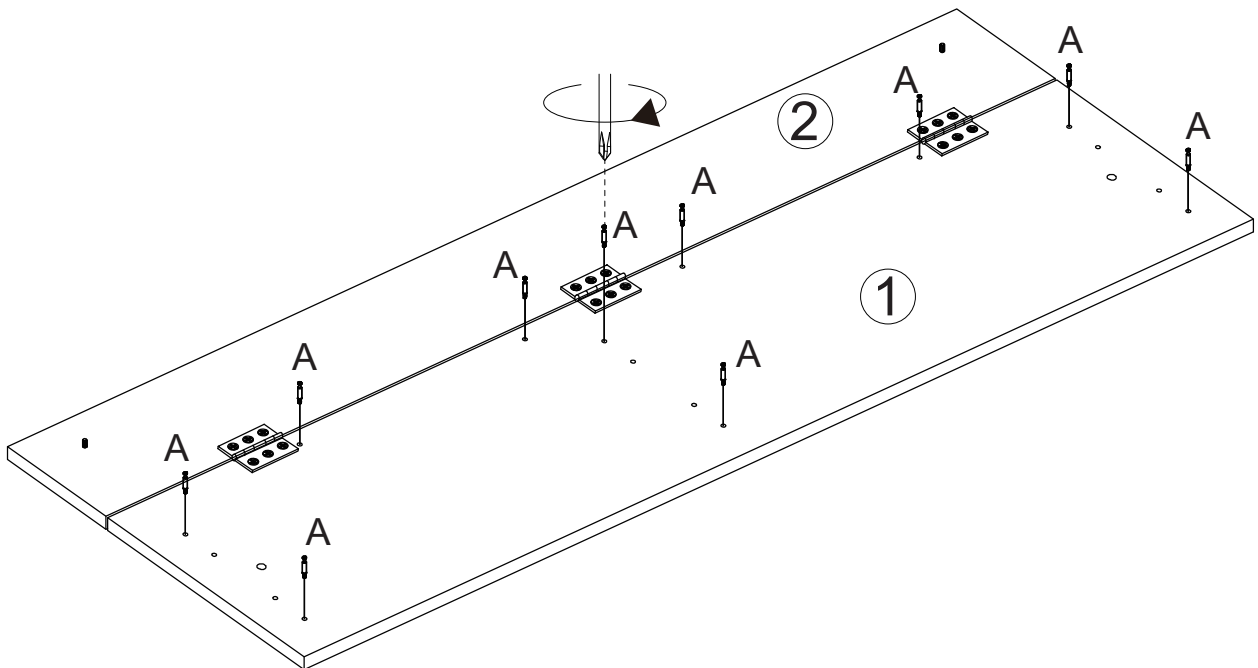
<23>

	ⓓ x18
	ⓕ x 3





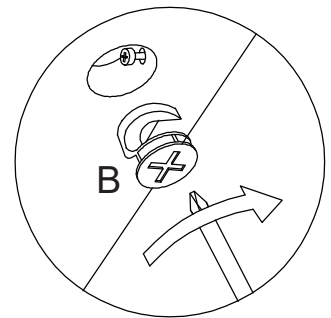
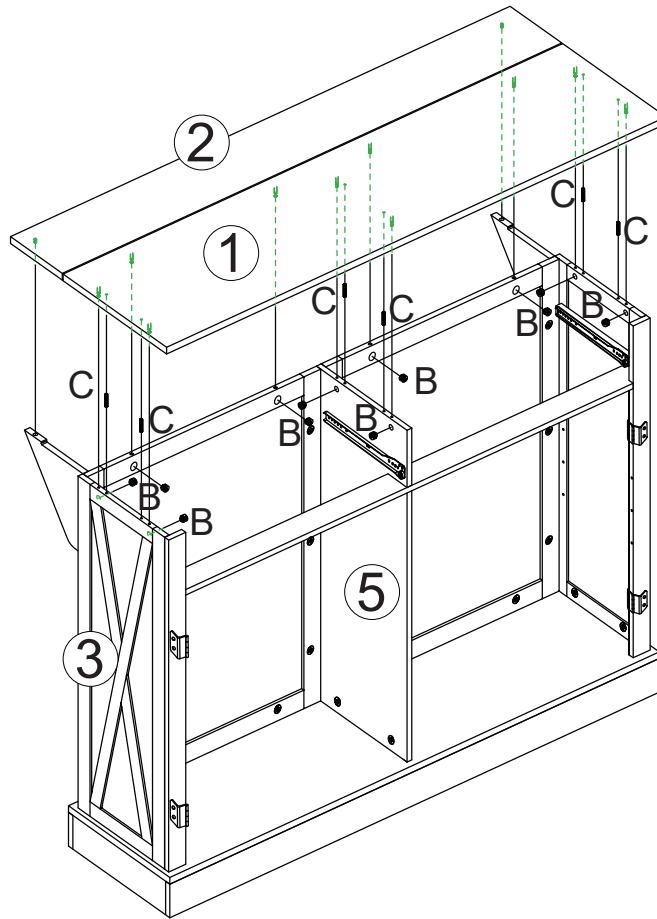
<24>

	ⓐ x10
---	-------




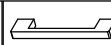



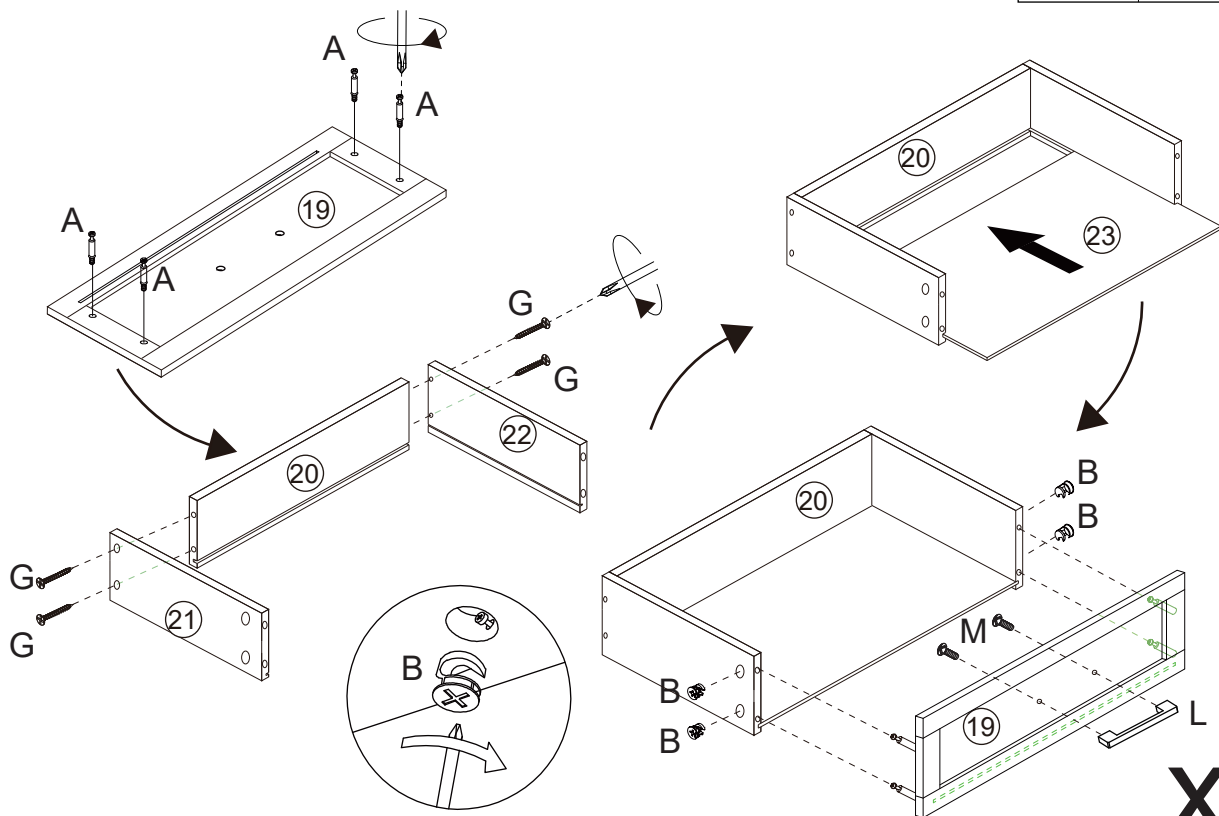
<25>

	<b>B</b> x10
	<b>C</b> x 6



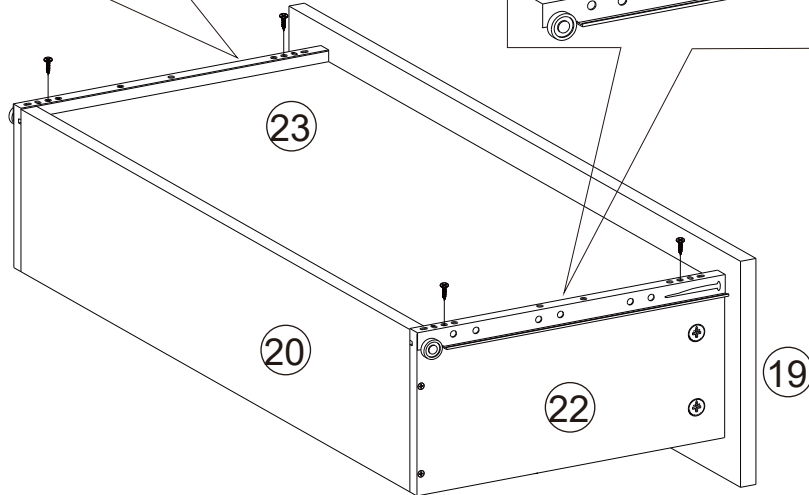
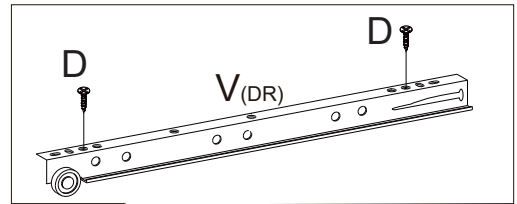
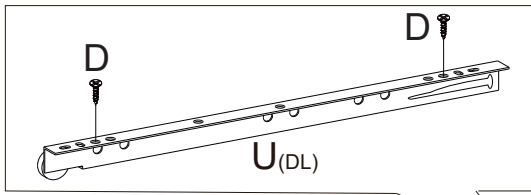
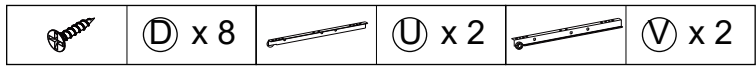
<26>

	<b>A</b> x 8		<b>B</b> x 8		<b>G</b> x 8		<b>L</b> x 2
							<b>M</b> x 4



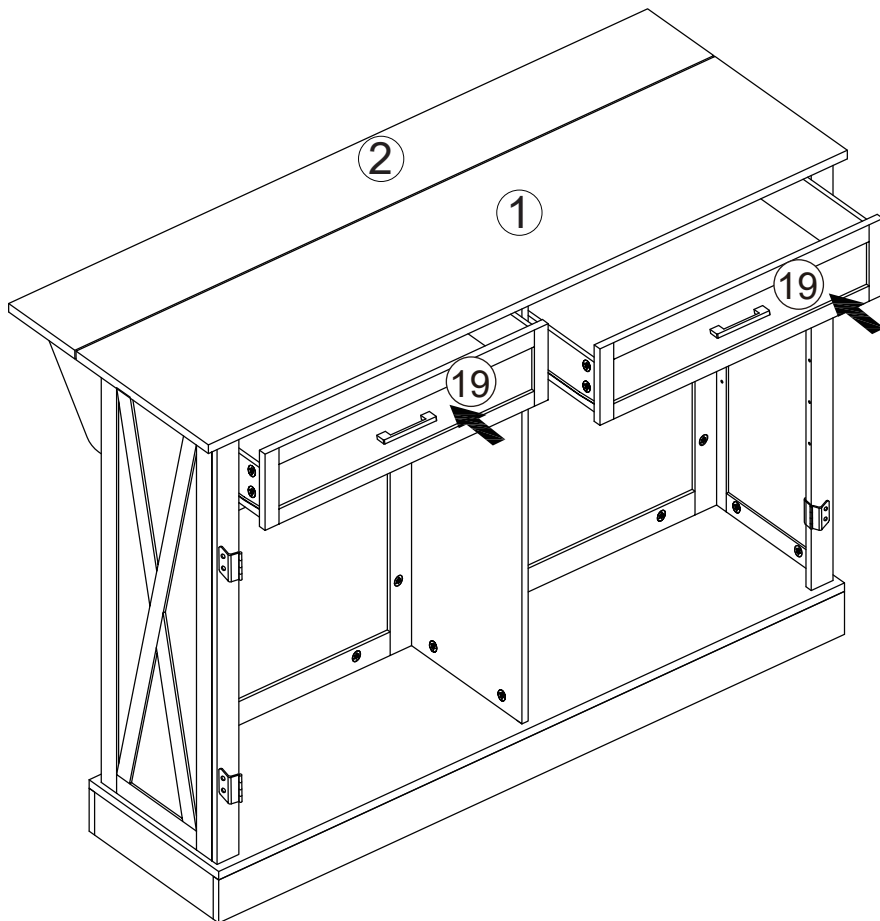
**x2**

<27>



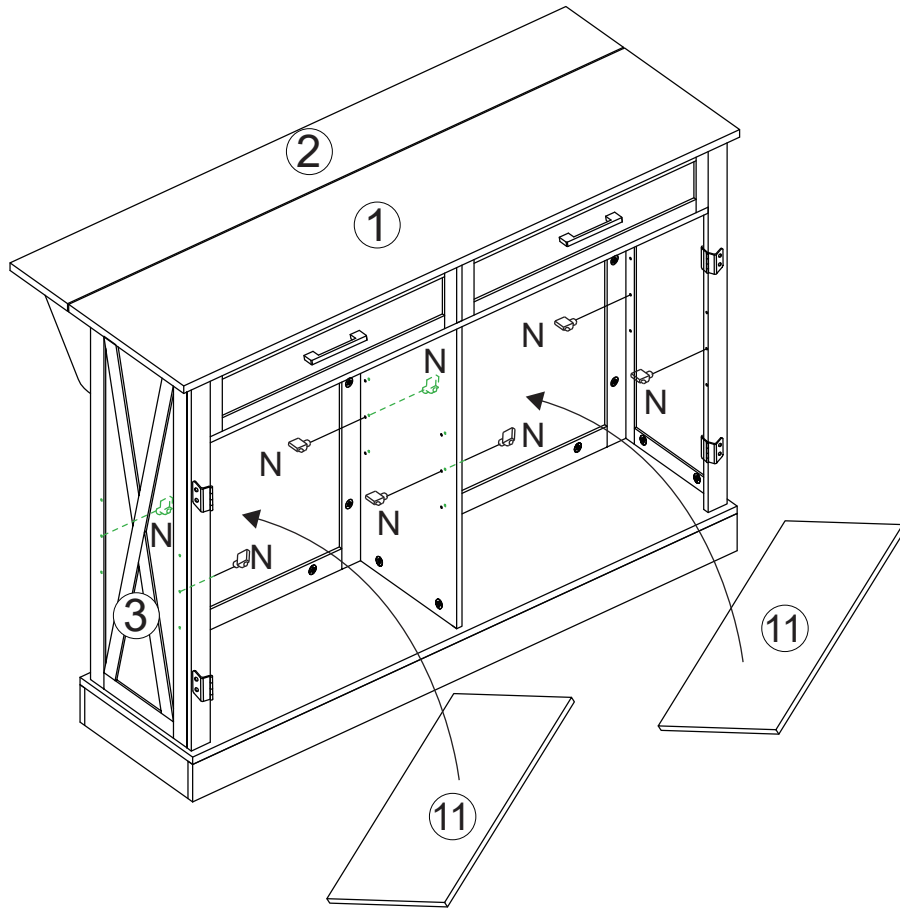
x2

<28>







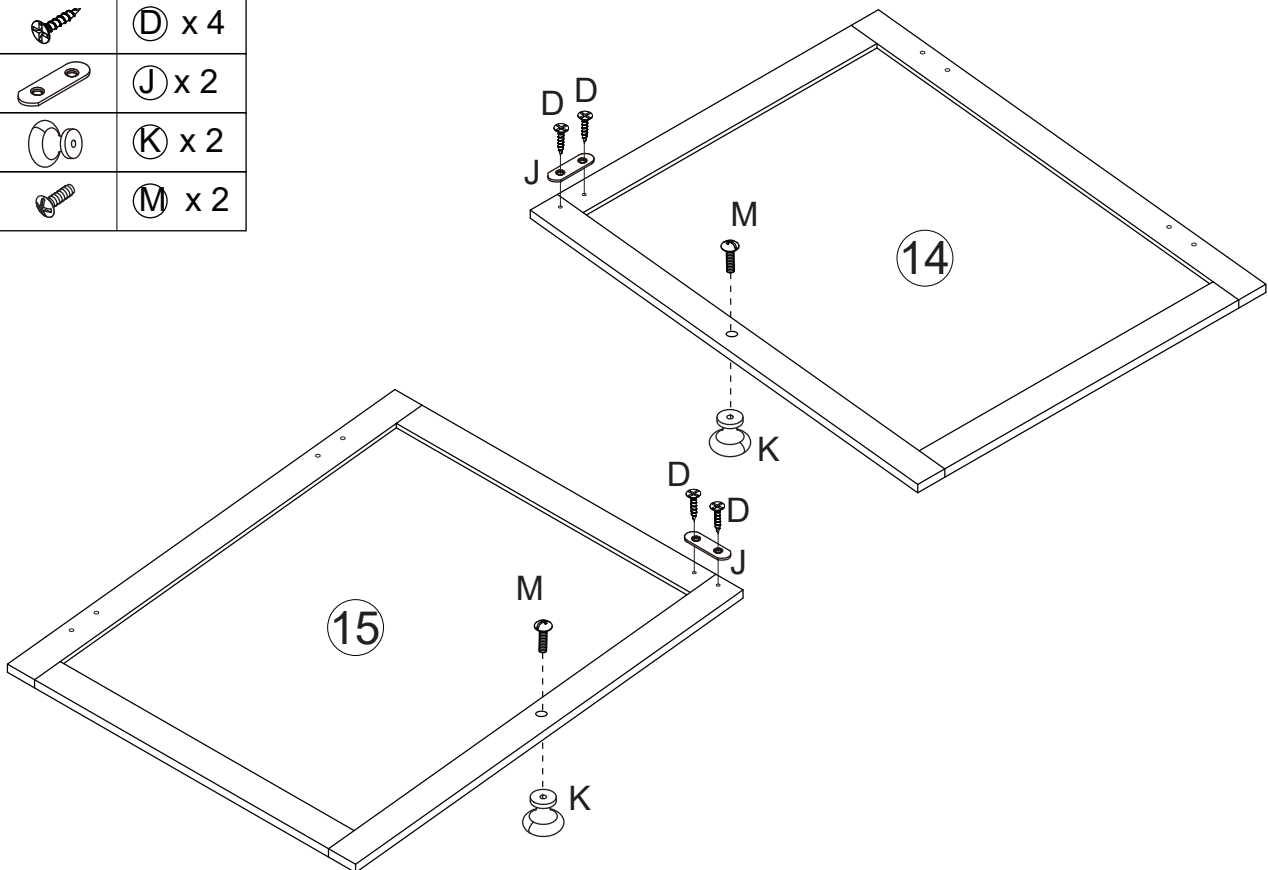
<29>

	<b>N</b> x 8
---	--------------



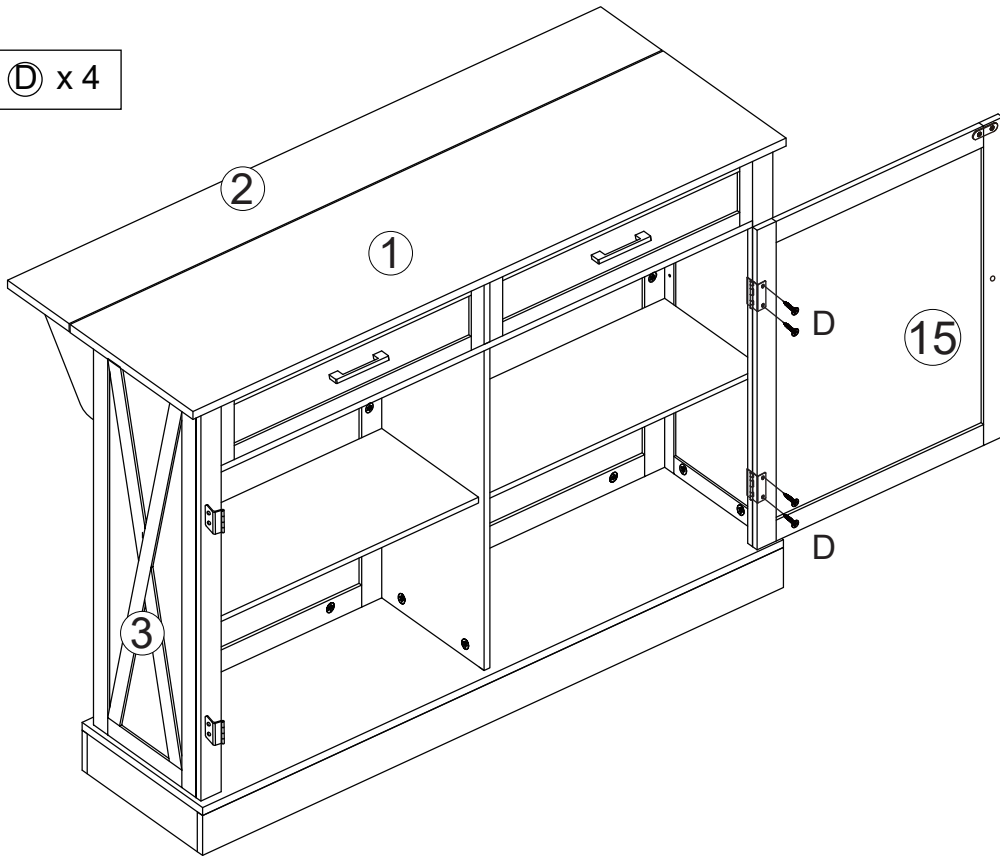
<30>

	<b>D</b> x 4
	<b>J</b> x 2
	<b>K</b> x 2
	<b>M</b> x 2

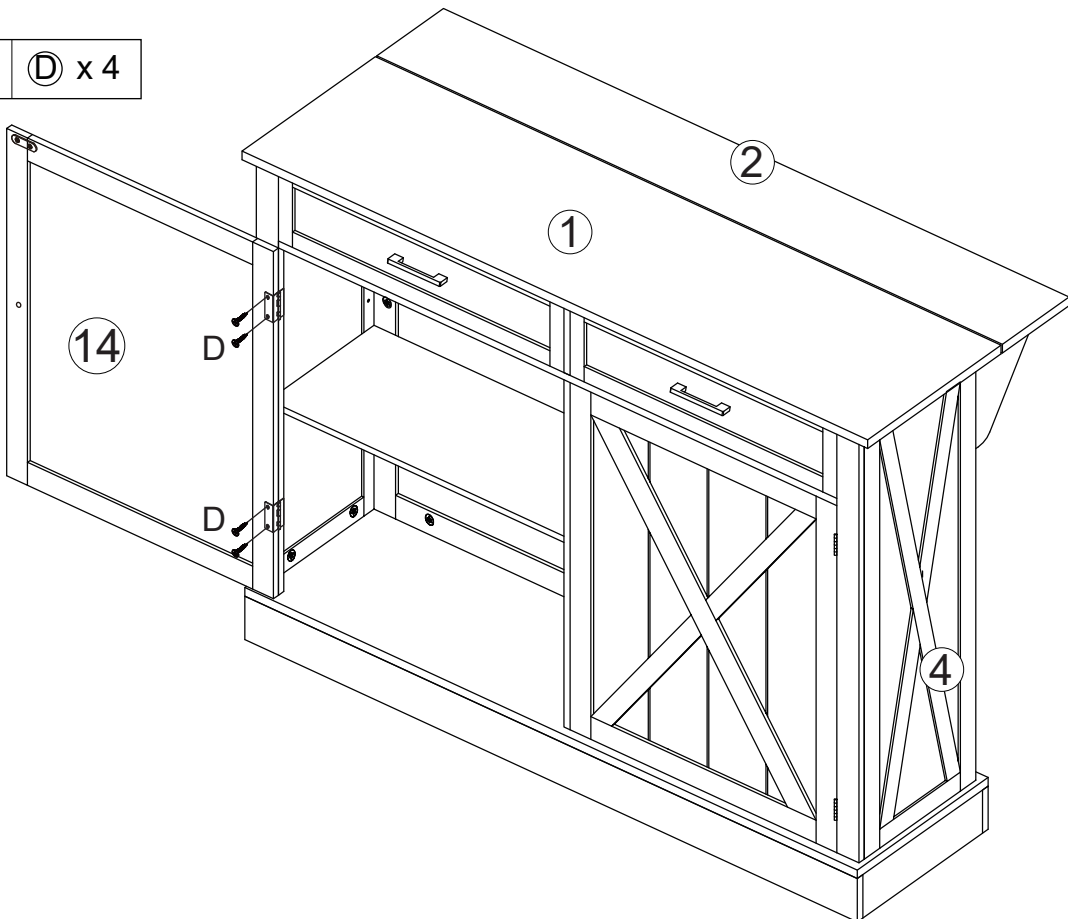
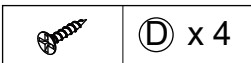




<31>



<32>



<33>

