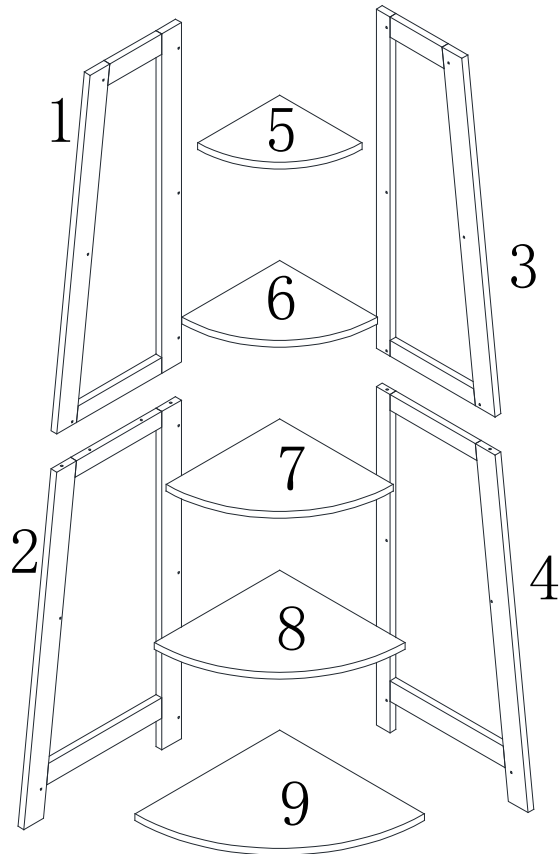





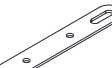
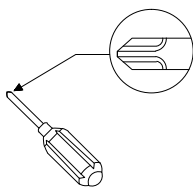


Parts List



Hardware List

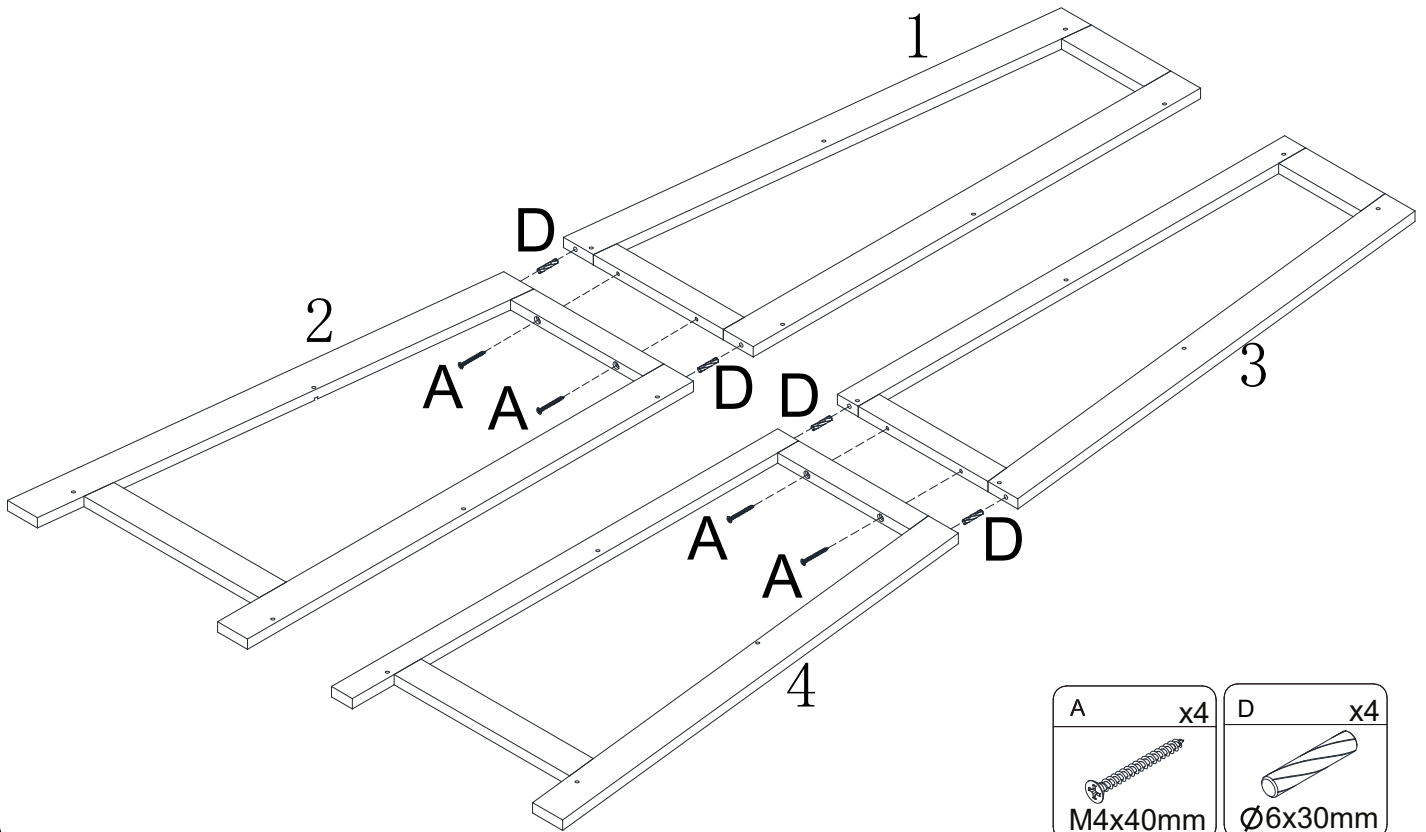
A x25	B x2	C x6	D x4	E x2	F x2
					
M4x40mm	M4x30mm	M3x16mm	Ø6x30mm		



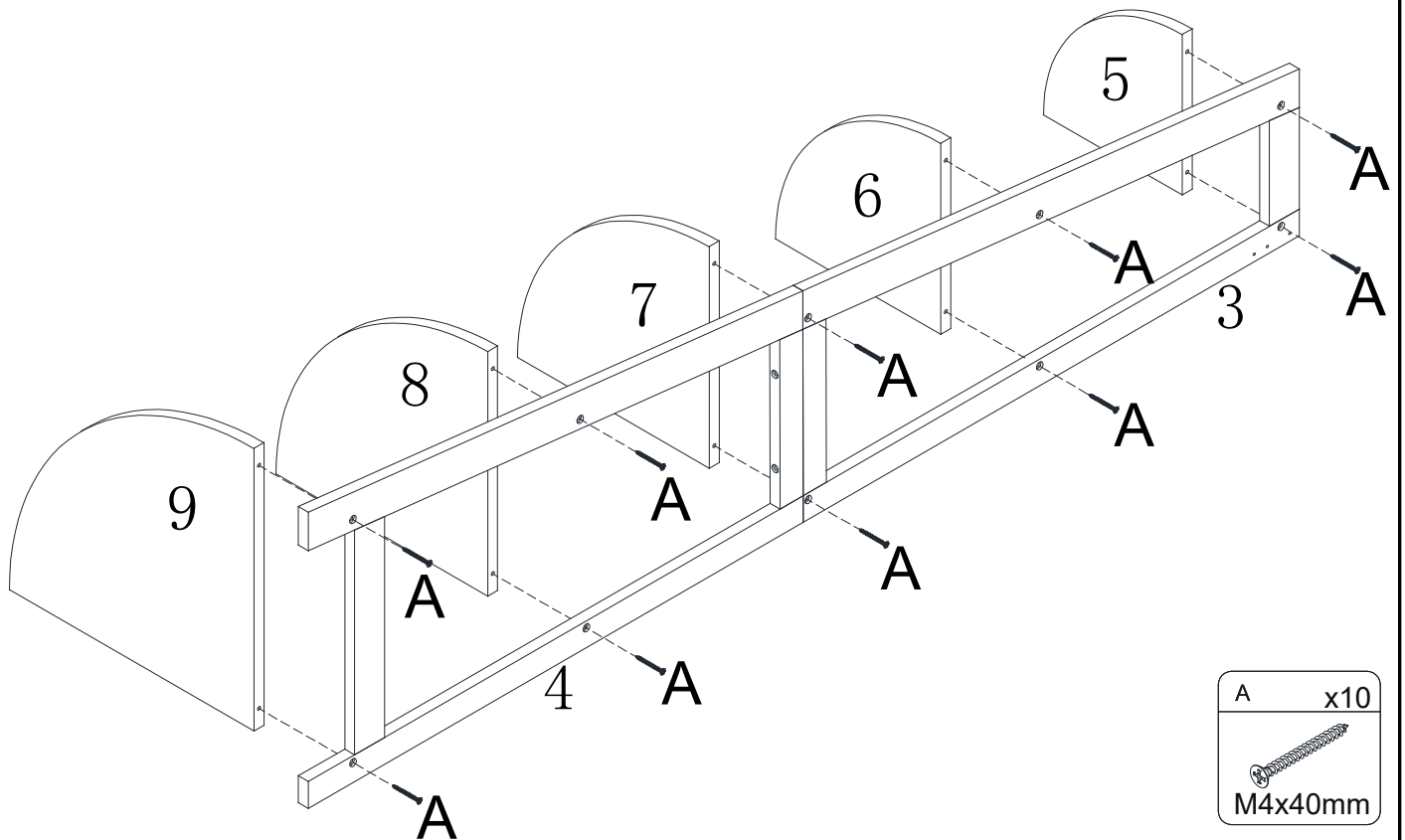
Philips head screwdriver required for assembly
(not included)

The hardware quantities listed above are required for proper assembly.
Some extra hardware may also have been included.

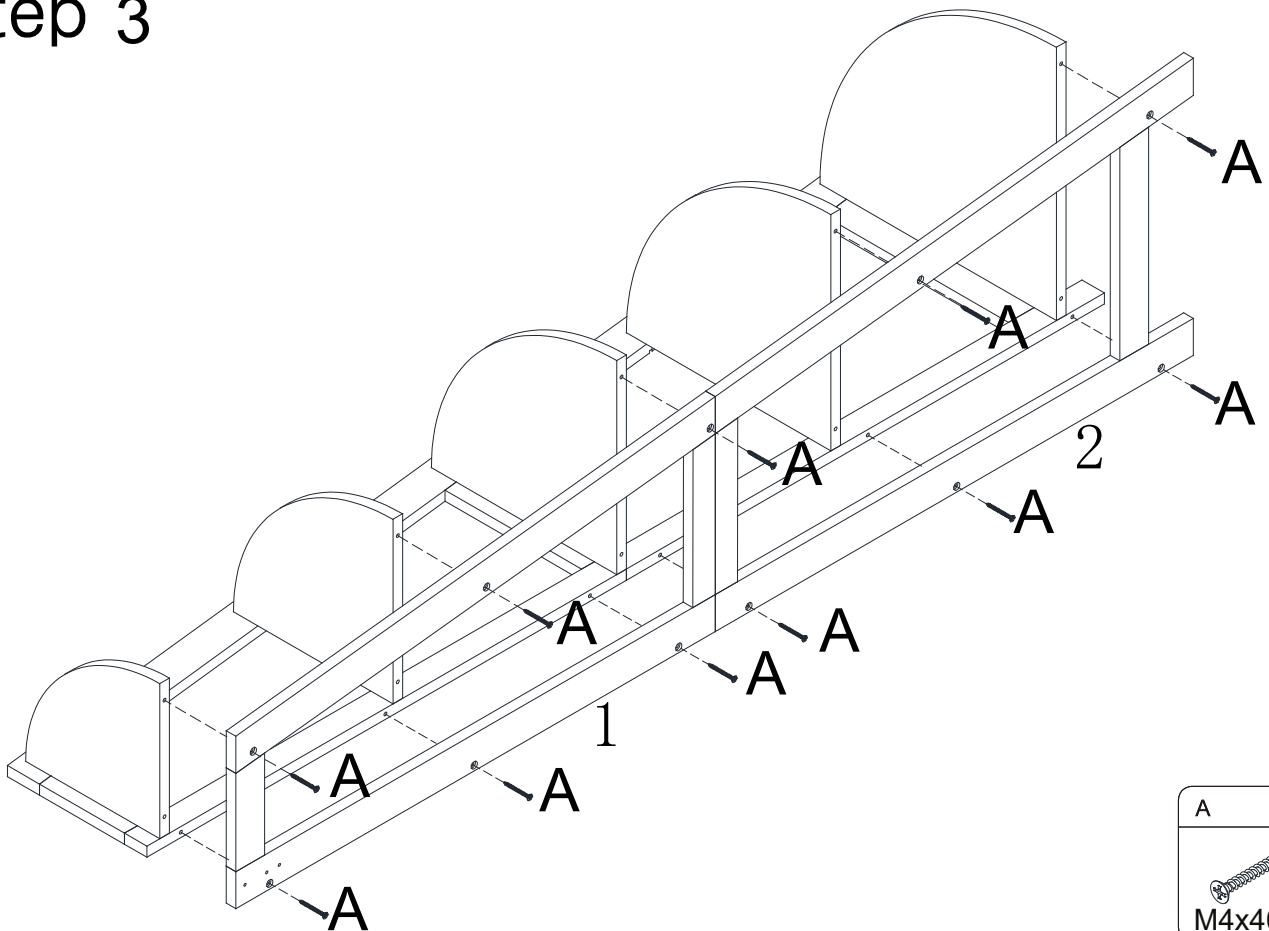
Step 1



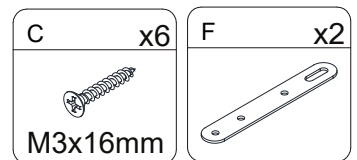
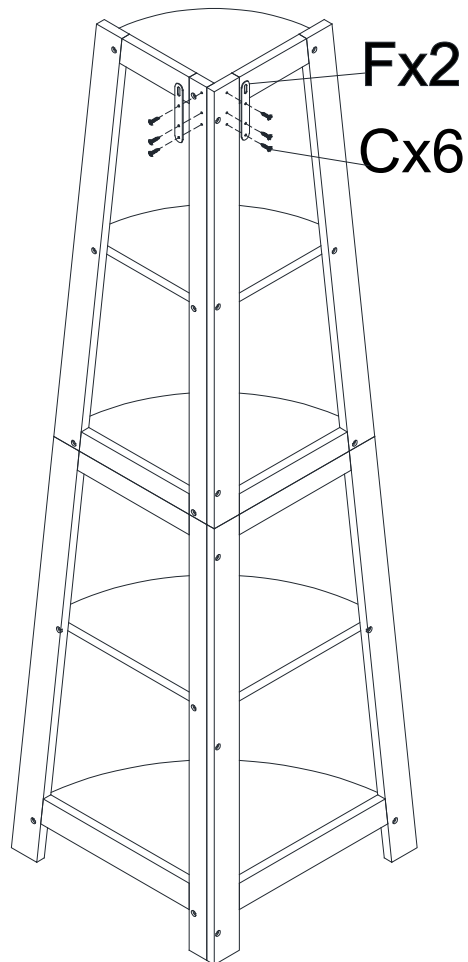
Step 2



Step 3



Step 4



Step 5

