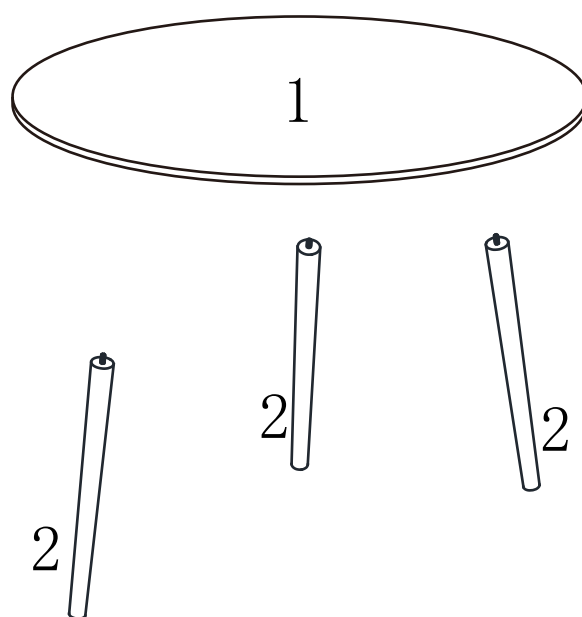


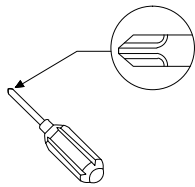
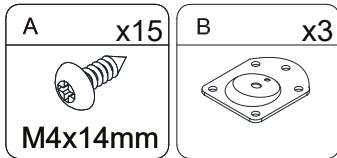


BS5009&BS5008&BS5007 V. 210225. 02

Parts List



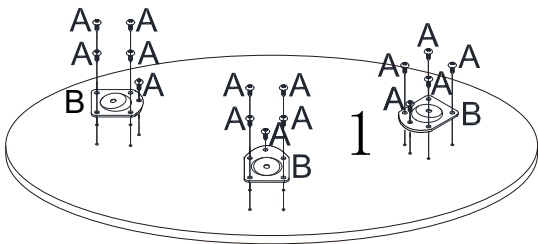
Hardware List



Philips head screwdriver required for assembly
(not included)

The hardware quantities listed above are required for proper assembly.
Some extra hardware may also have been included.

Step 1



Step 2

