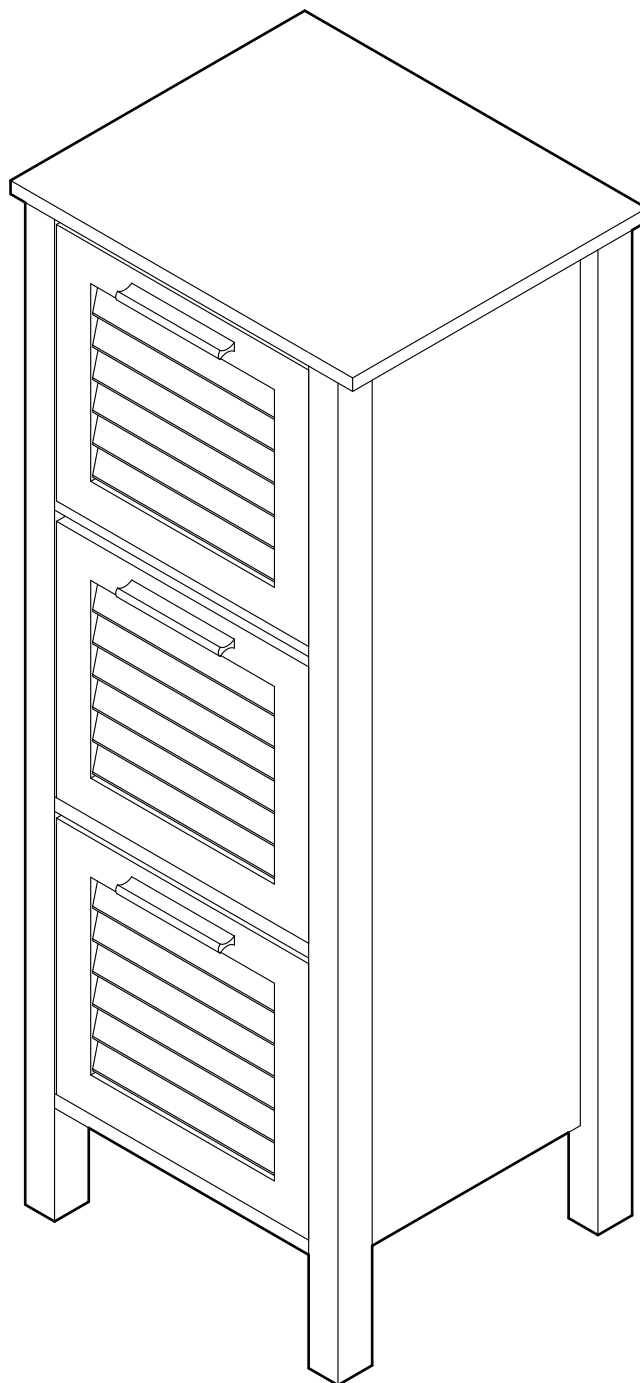


White Slatted 3 DRW Unit

Assembly Instructions – Please keep for future reference

833/1740



Dimensions

Width - 35 cm

Depth - 30 cm

Height - 90 cm

Important - Please read these instructions fully before starting assembly

If you need help or have damaged or missing parts, call the Customer Helpline: 08456 400800



Safety and care advice

Important - Please read these instructions fully before starting assembly

- Check you have all the components and tools listed on pages 2 and 3.
- Remove all fittings from the plastic bags and separate them into their groups.
- Keep children and animals away from the work area, small parts could choke if swallowed.
- Make sure you have enough space to layout the parts before starting.
- Do not stand or put weight on the panels, this could cause damage.
- Assemble the unit as close to its final position (in the same room) as possible.

- Assemble on a soft level surface to avoid damaging the unit or your floor.
- **Note:** Only apply the glue once you are sure of the assembly.
- The wall plugs supplied are suitable for solid walls only. It is important that the correct type of fixing is used for your wall, seek professional advice if in doubt.
- Parts of the assembly will be easier with 2 people.
- If using power tools, please follow the safety instructions supplied with the tools.



• We do not recommend the use of power drill/ drivers for inserting screws, as this could damage the unit. Only use hand screwdrivers.

- **Warning:** Before drilling, check the wall for hidden pipes and cables.
- Dispose of all packaging carefully and responsibly.

Glue safety - Take care when using glue, please follow the advice below

Skin contact: Remove contamination by washing with soap and water. This procedure should also be followed prior to eating and drinking.

Eye contact: Rinse immediately with clean water for 15 minutes and seek medical advice.

If swallowed: Seek medical advice immediately. If possible show product information or label to the medical advisor.

Care and maintenance

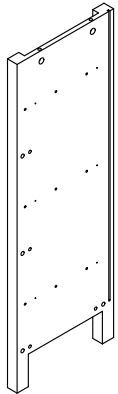
- Only clean using a damp cloth and mild detergent, do not use bleach or abrasive cleaners.
- From time to time check that there are no loose screws on this unit.
- This product should not be discarded with household waste. Take to your local authority waste disposal centre.

Note: if required the next page can be cut out and used as a reference throughout the assembly. Keep this page with these instructions for future reference.

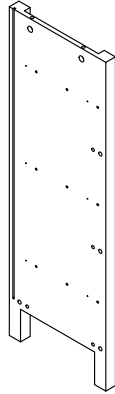
Components - Panels

If you have damaged or missing components, call the Customer Helpline: 08456 400800

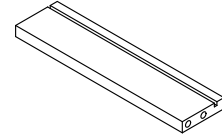
Please check you have all the panels listed below



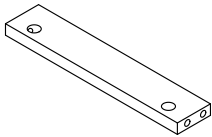
1 Left side



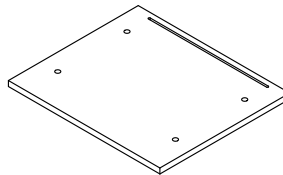
2 Right side



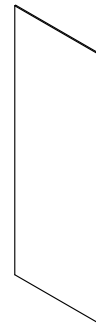
3 Back support



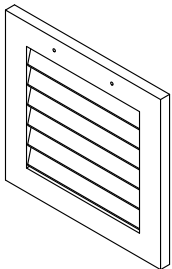
4 Front support x 3



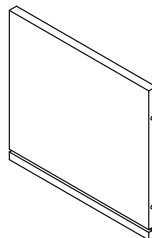
5 Top



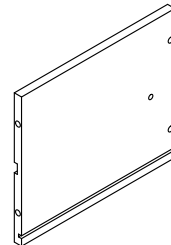
6 Back



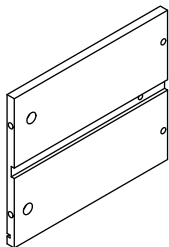
7 Drawer front x 3



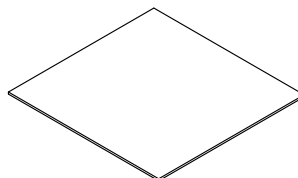
8 Drawer back x 3



9 Left drawer side x 3



10 Right drawer side x 3






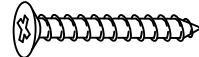

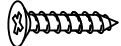


11 Drawer bottom x 3

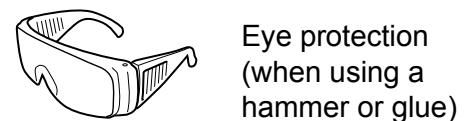
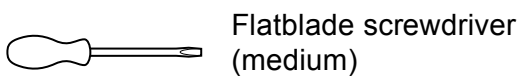
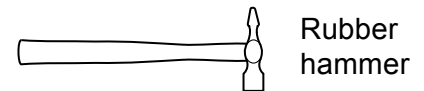
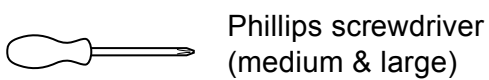
Components - Fittings

Please check you have all the fittings listed below

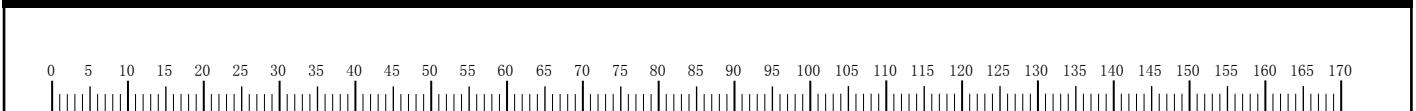
Note: The quantities below are the correct amount to complete the assembly. In some cases more fittings may be supplied than are required.

<p>A </p> <p>Wooden dowel x 8</p>	<p>B </p> <p>Locking Pin x 24</p>	<p>C </p> <p>Locking Nut x 24</p>
<p>D </p> <p>Runner x 6</p>	<p>E </p> <p>Wooden Handle x 3</p>	<p>F </p> <p>30mm Screw x 18</p>
<p>G </p> <p>Drawer Stopper x 6</p>	<p>H </p> <p>12mm Screw x 12</p>	

Tools required



Ruler - Use this ruler to help correctly identify the screws



Assembly Instructions

Step 1

Assembling side panels

NOTE: It would be useful to ask someone to help you at this stage.

a: Use 12mm screws **H** to fix runners **D** onto left side panel **1** and right side panel **2**.

Screw locking pins **B** into side panels **1** **2**.

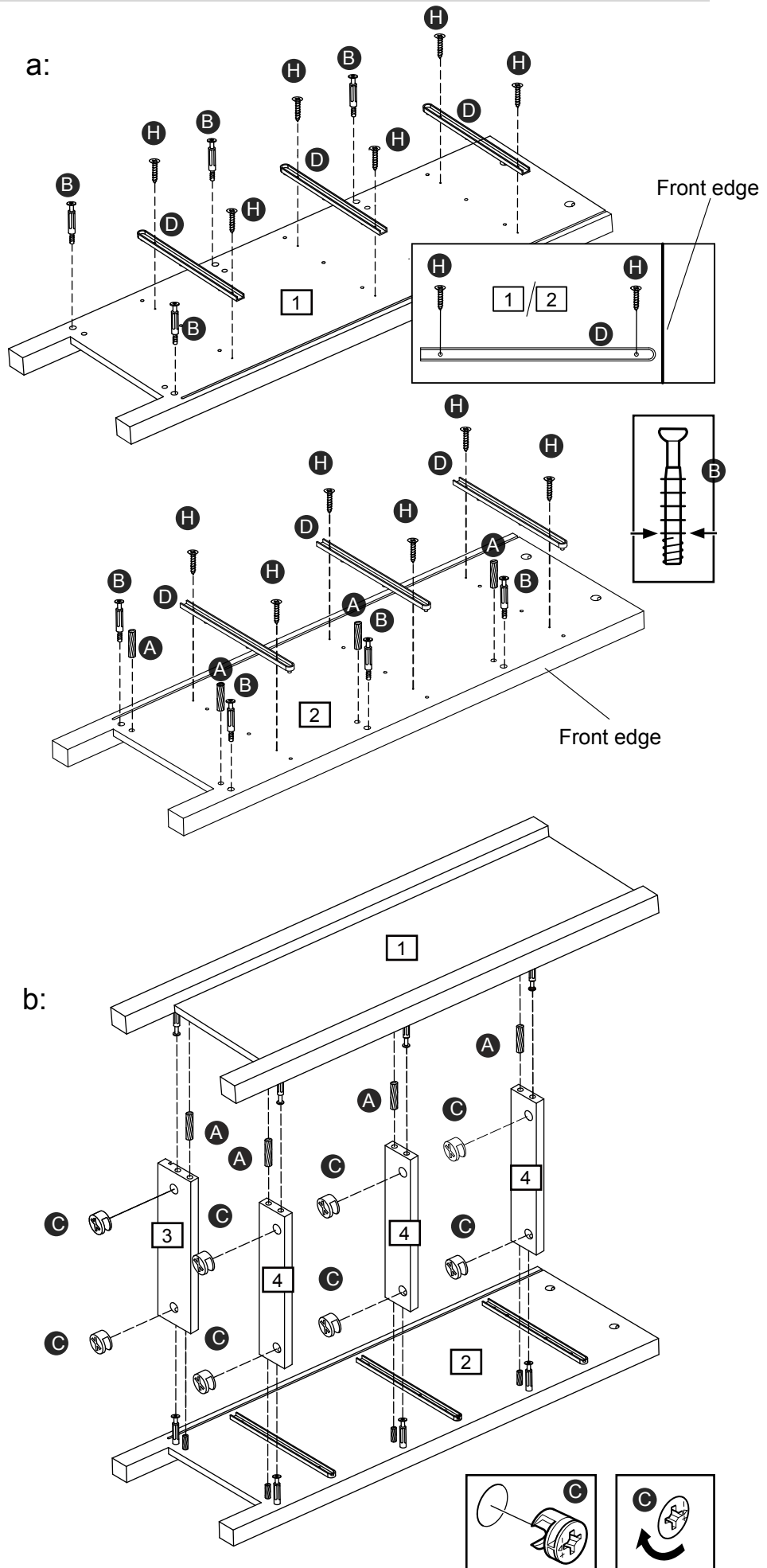
Insert dowels **A** into right side panel **2**.

b: Insert wooden dowel **A** into back support **3** and front supports **4**.

Insert locking nuts **C** into back support **3** and front supports **4**.

Attach left side panel **1** to right side panel **2** with supports **3** and **4** in the middle.

Use a screw driver to turn Locking Nuts **C** clockwise to lock the unit.



Assembly Instructions

Step 2

Assembling back panel

NOTE: It would be useful to ask someone to help you at this stage.

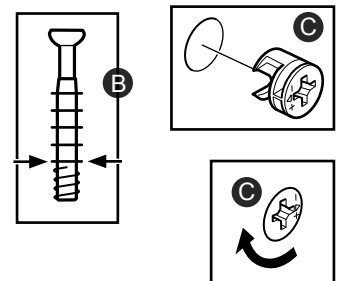
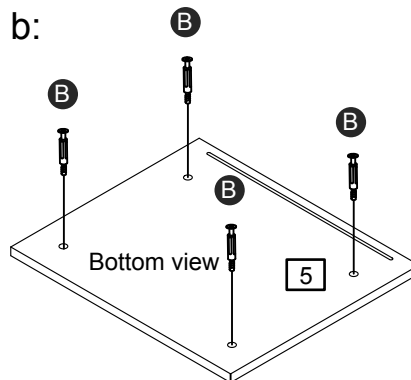
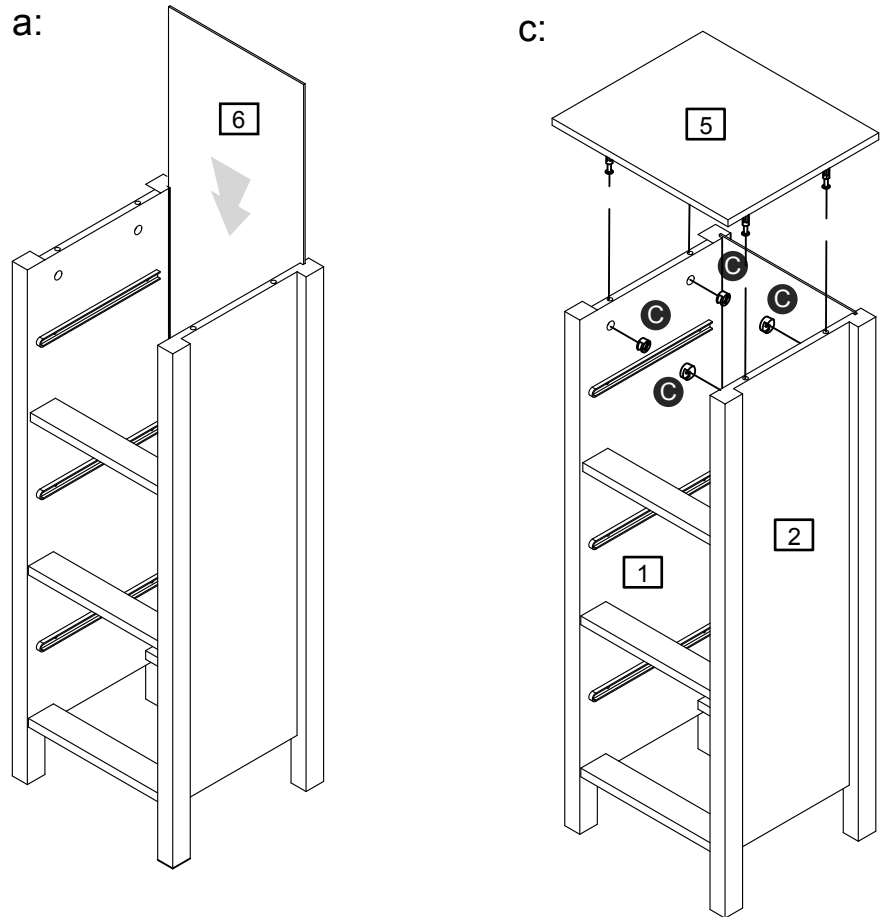
a: Carefully slide the back panel **6** into the grooves of the unit.

b: Screw locking pins **B** into the top panel **5**.

c: Insert locking nuts **C** into side panels **1** and **2**.

Attach top panel **5** onto the unit.

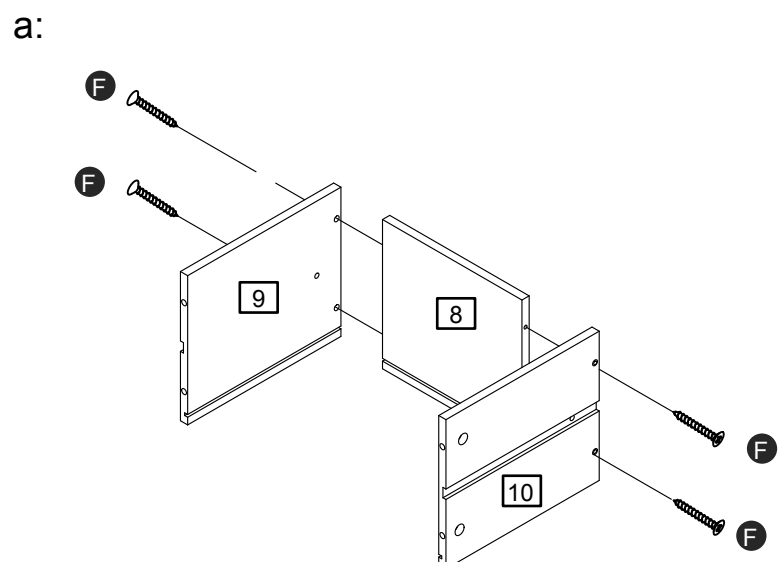
Use a screw driver to turn the locking nuts **C** clockwise to lock the unit.



Step 3

Assembling Drawers

a: Use 30mm screws **F** to fix drawer back panel **8** onto drawer side panels **9** & **10**.



Continued on next page.

Assembly Instructions

Step 3 - continued

Assembling Drawers

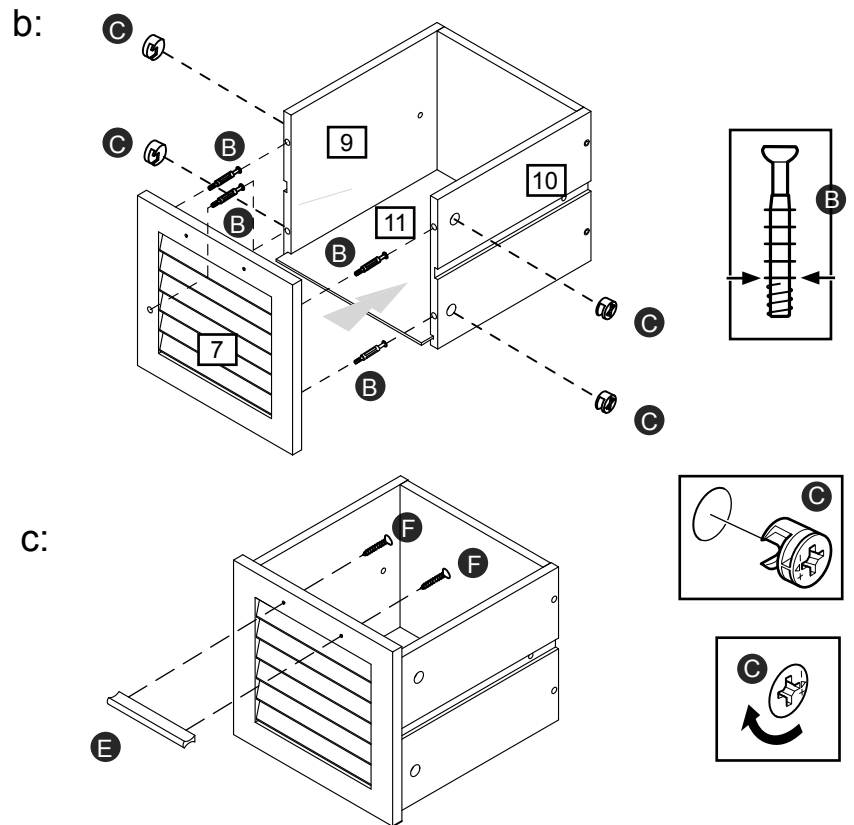
b: Carefully slide the drawer bottom panel **11** into the grooves of drawer sides.

Insert locking pins **B** into drawer front panel **7**.

Insert locking nuts **C** into drawer side panels **9** & **10**.

Attach drawer front panel to the unit, tighten the locking nuts to secure the unit.

C: Use 30mm screws **F** to fix wooden handle **E** to the drawer front.



Step 4

Assembling Drawers

NOTE: It would be useful to ask someone to help you at this stage.

a: Carefully slide the drawer into the unit.

b: Insert drawer stoppers **G** into drawer side panels **9** & **10**.

Repeat Step 3 and 4 to assemble the other drawers.

NOTE: Please make sure the unit is secure before use.

Pls don't place too heavy things into drawers.

The assembly is now complete

