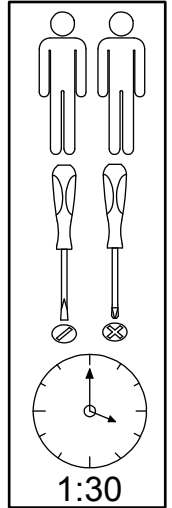
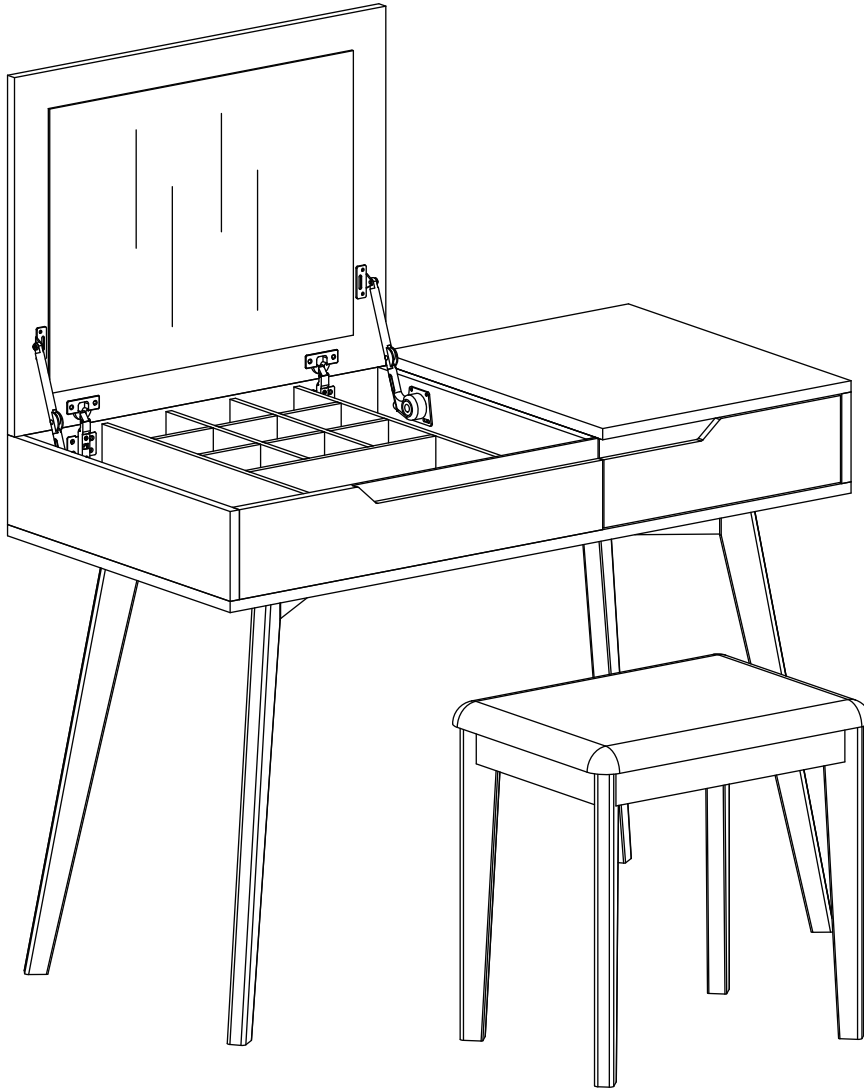
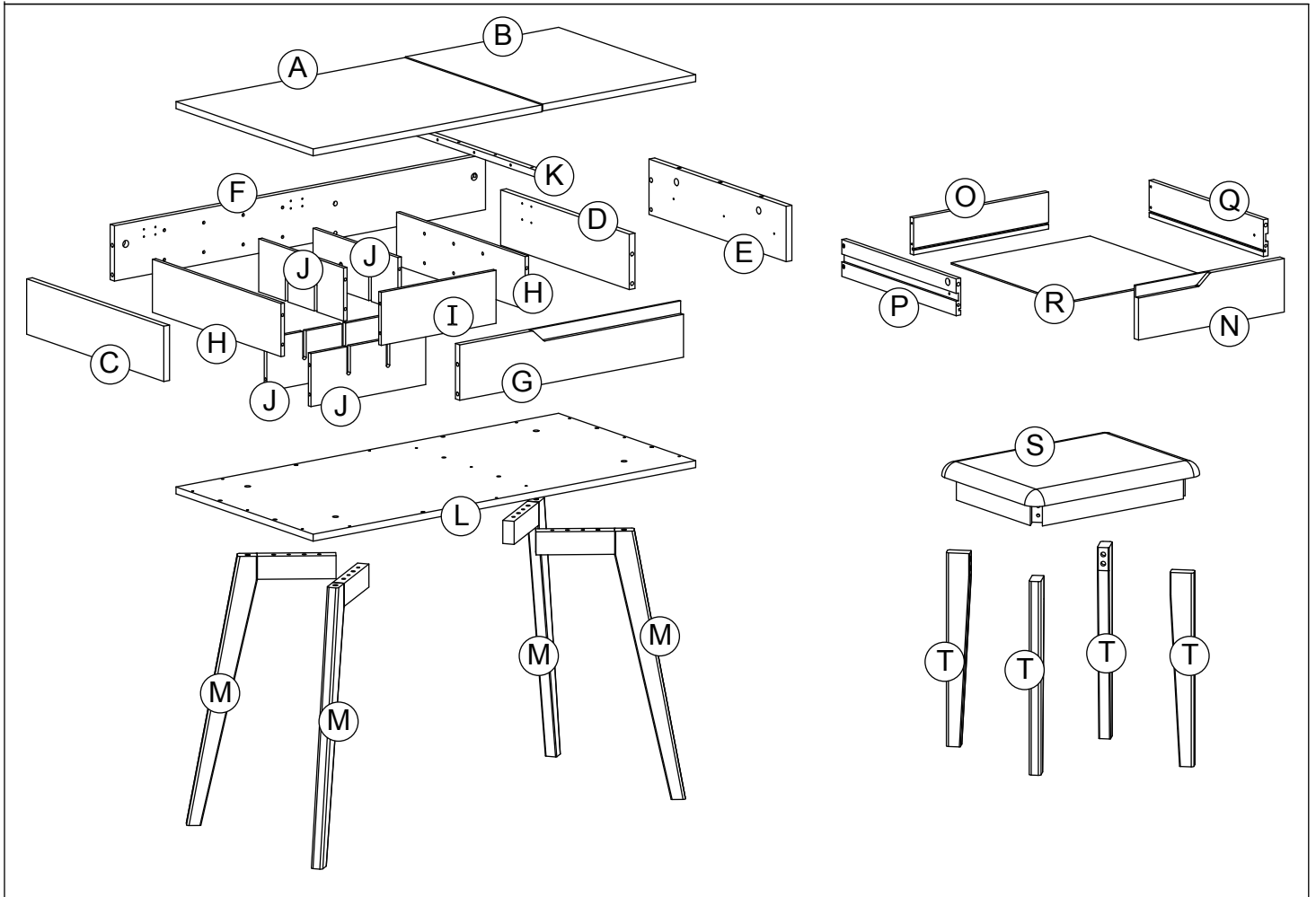


Assembly Instruction

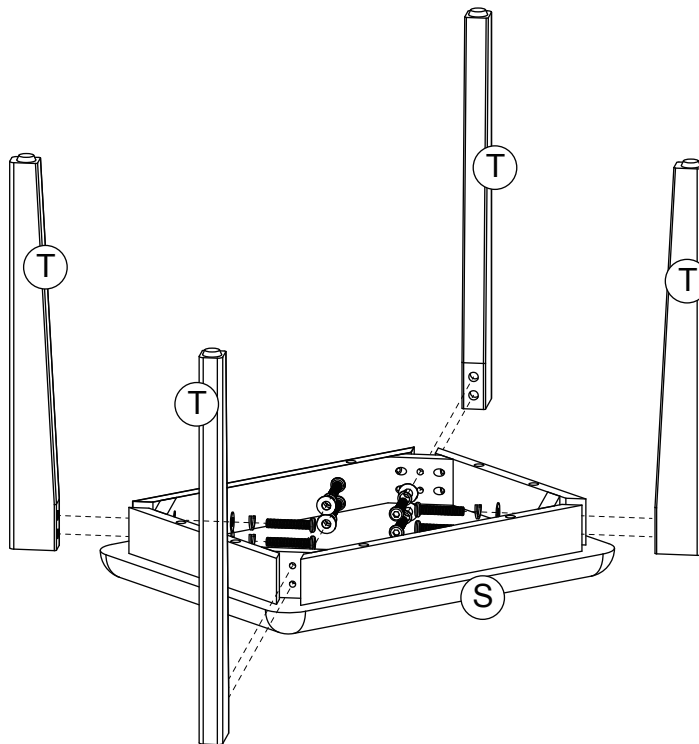


①×9	②×9	③×28	④×25	⑤×14	⑥×7
		 Φ6*30mm	 Φ8*30mm	 Φ4*35mm	 Φ4*25mm
⑦×2	⑧×12	⑨×4	⑩×6	⑪×2	⑫×2
	 Φ4*15mm	 Φ4*35mm	 Φ3*10mm		
⑬×8	⑭×8	⑮×4	⑯×16	⑰×16	⑱×1
 Φ6*45mm	 Φ6*30mm	 Φ6*20mm			
⑲×12	⑳×1	㉑×1	㉒×4		
 Φ4*15mm					

Assembly Instruction



Step 1



14×8



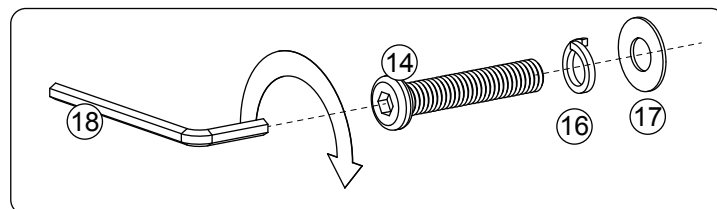
16×8



17×8

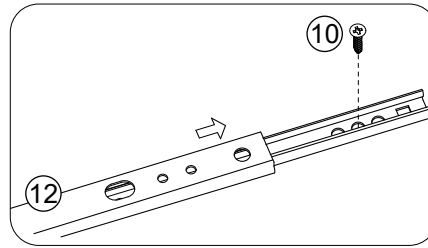
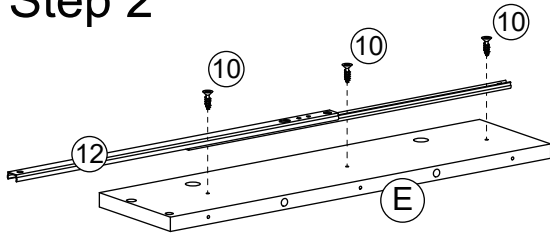


18×1



Assembly Instruction

Step 2



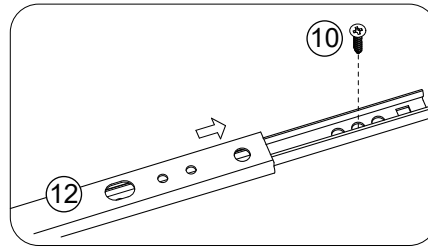
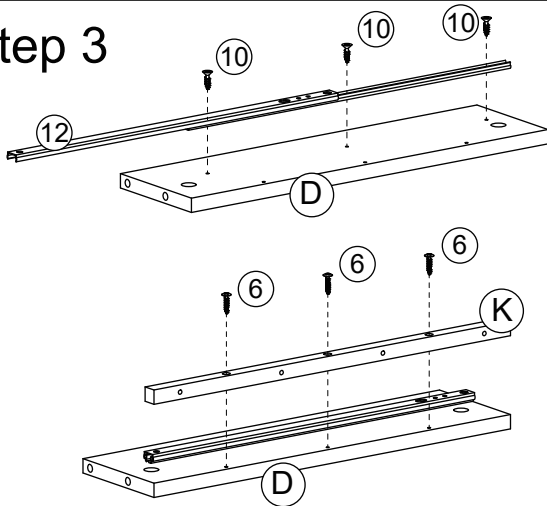
⑩×3



⑫×1



Step 3



⑥×3



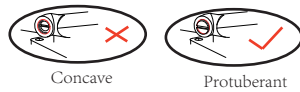
⑩×3



⑫×1

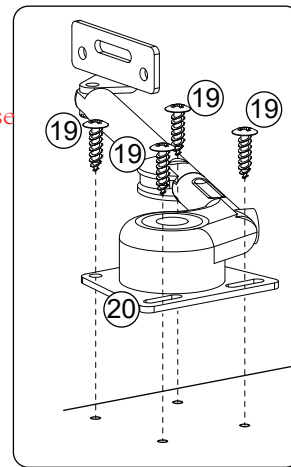
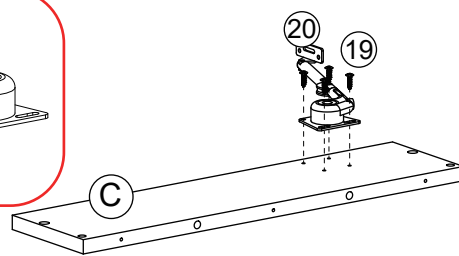
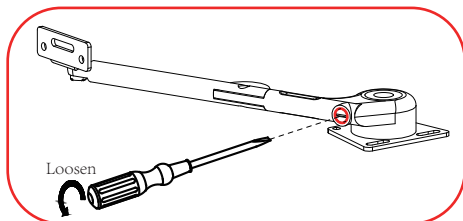


Step 4



Note:

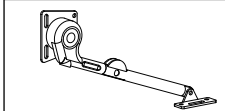
Please loosen the screw at the position shown in the figure counterclockwise to control the support force of the accessory. Protrusion is about 0.5mm.



⑲×4



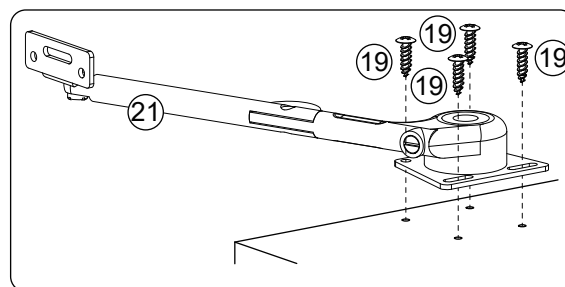
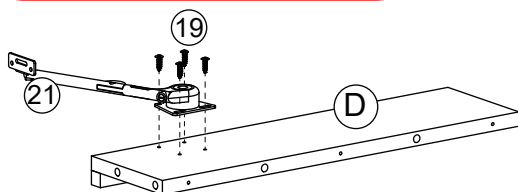
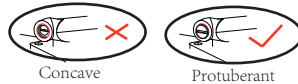
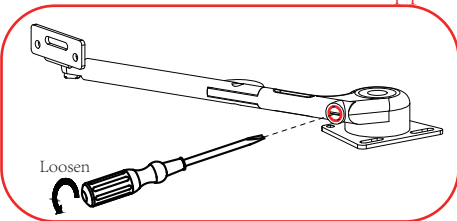
⑳×1



Step 5

Note:

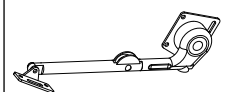
Please loosen the screw at the position shown in the figure counterclockwise to control the support force of the accessory. Protrusion is about 0.5mm.



⑲×4

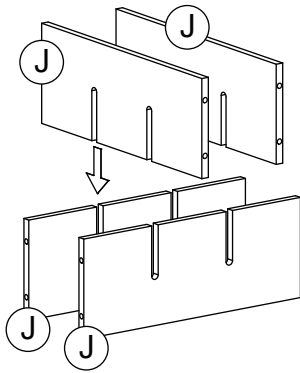


㉑×1

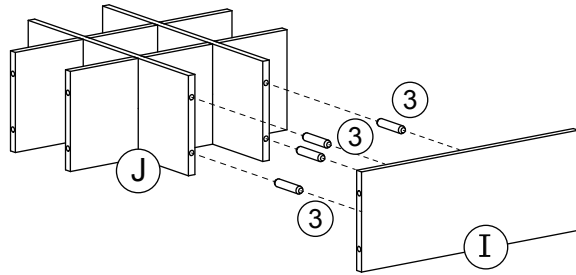


Assembly Instruction

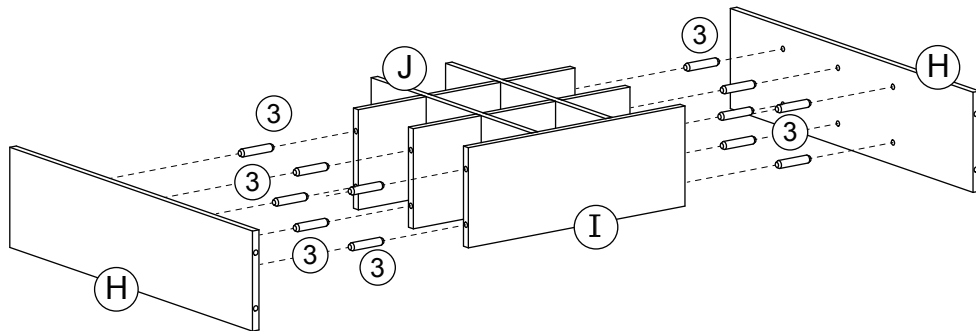
Step 6



③×4



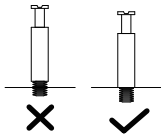
Step 7



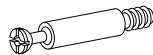
③×12



Step 8



①×2



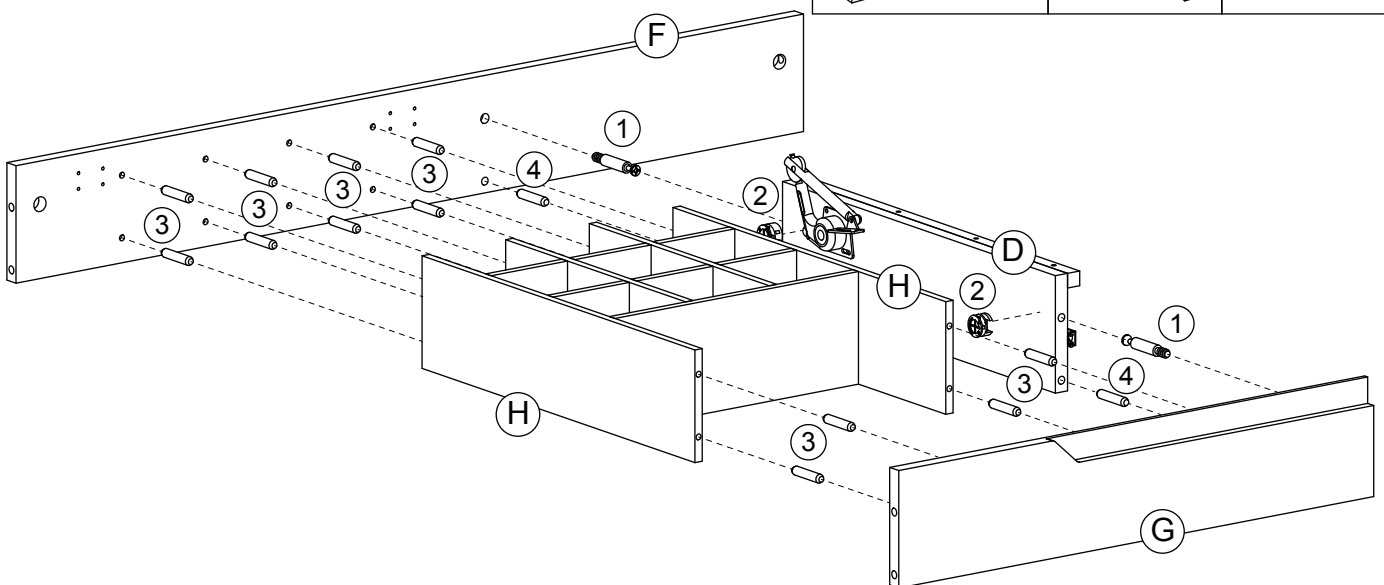
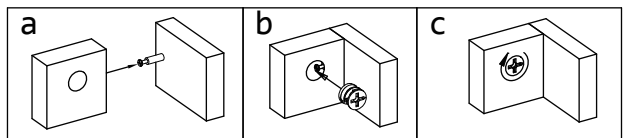
②×2



③×16

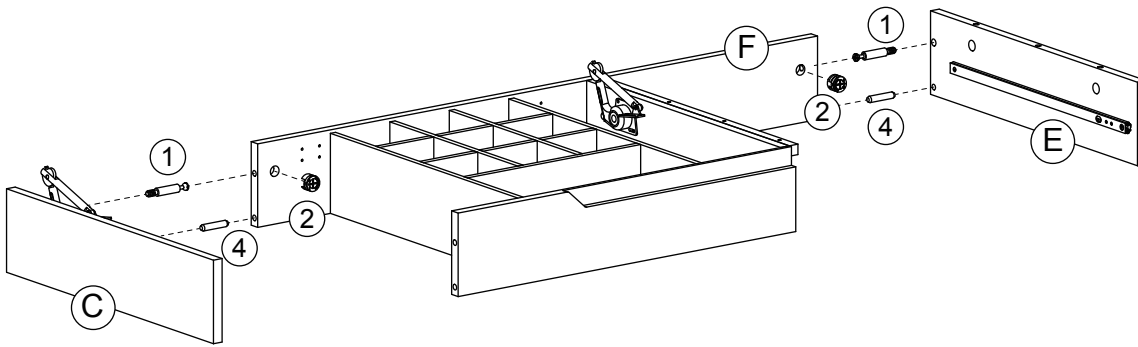


④×2

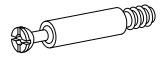


Assembly Instruction

Step 9



①×2



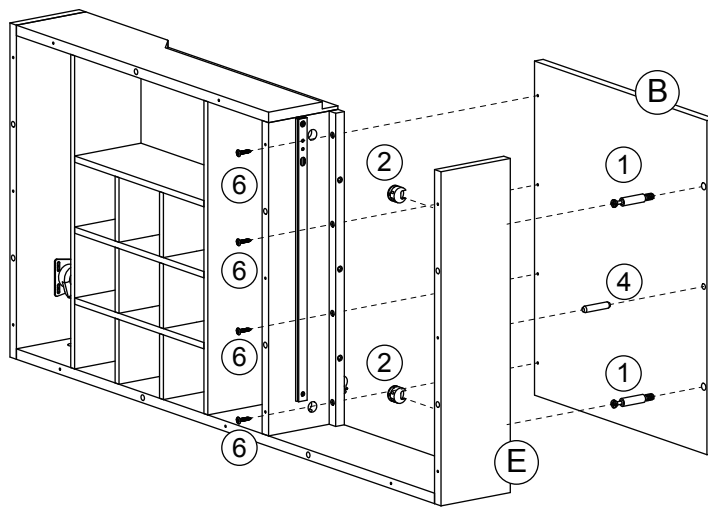
②×2



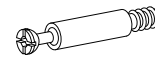
④×2



Step 10



①×2



②×2



④×1

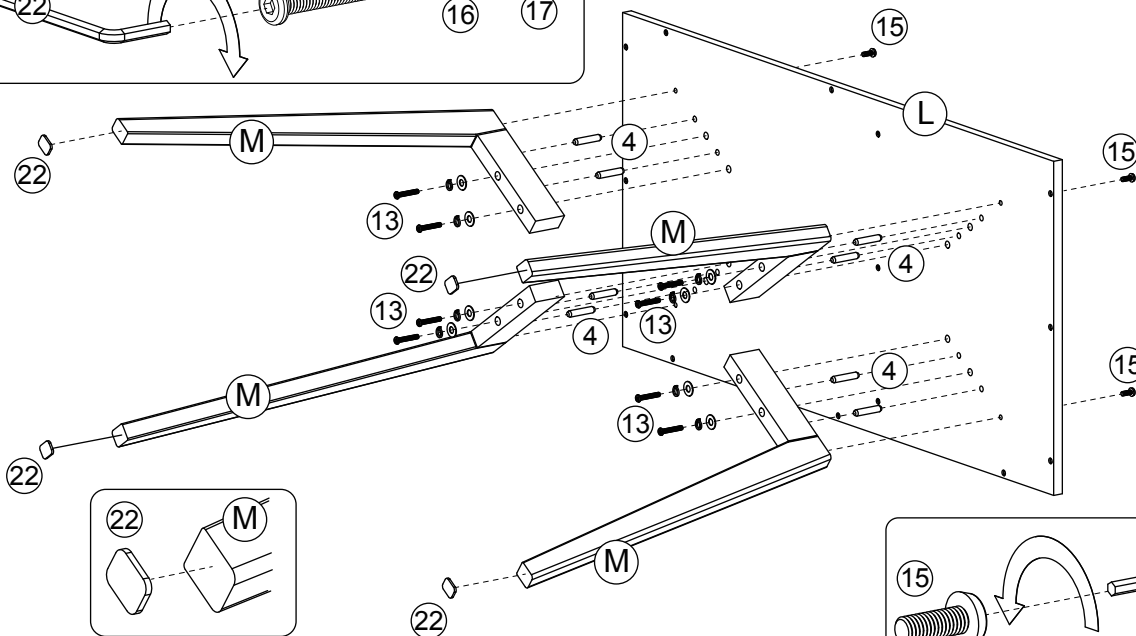
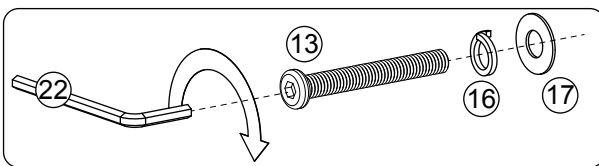


⑥×4



Step 11

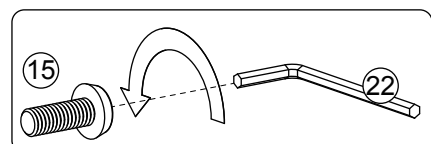
④×8	⑬×8	⑮×4	⑰×8	⑰×8



⑱×1

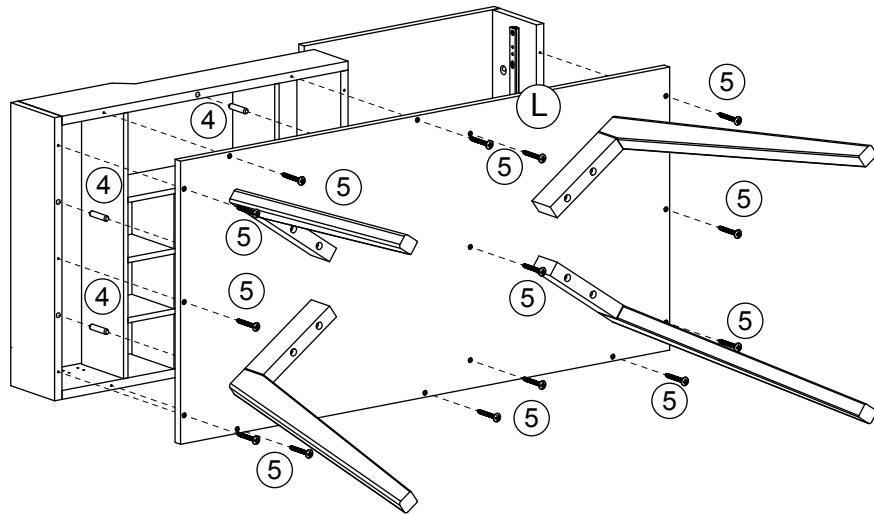


⑳×4



Assembly Instruction

Step 12



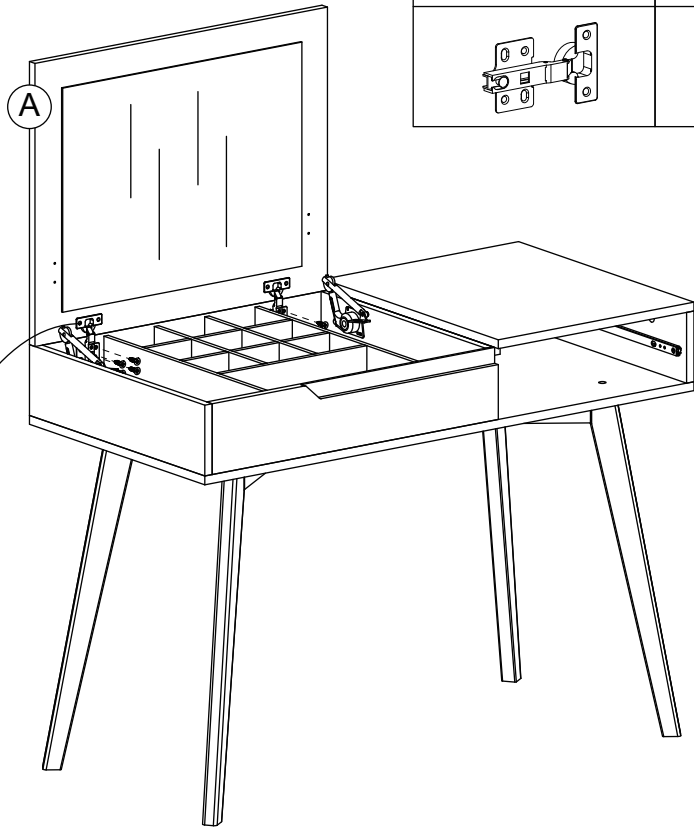
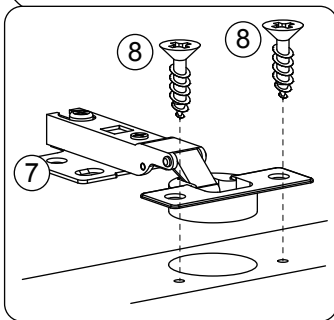
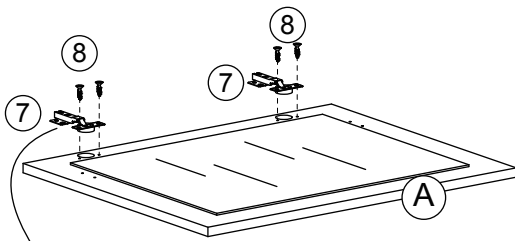
④×9



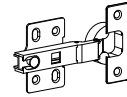
⑤×14



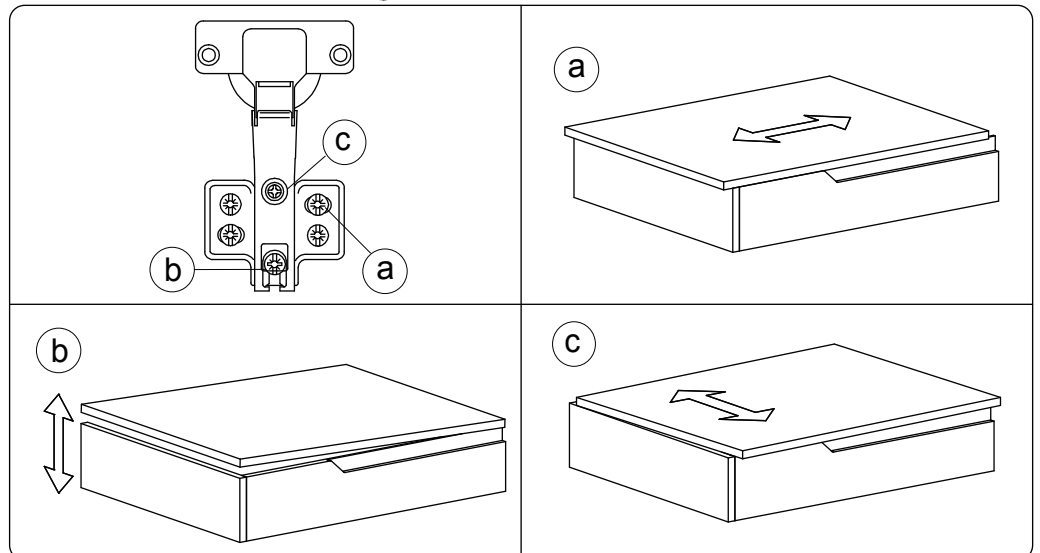
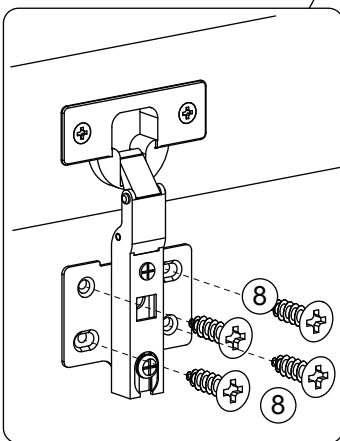
Step 13



⑦×2

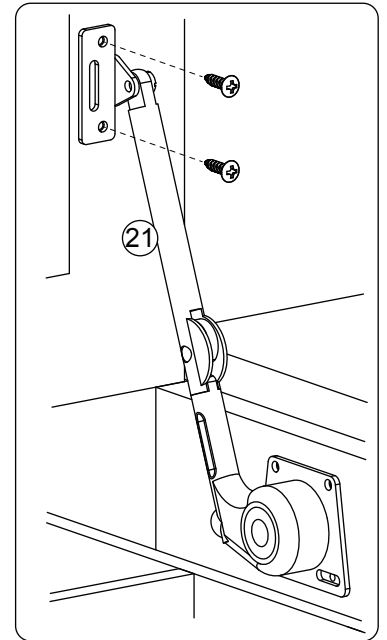
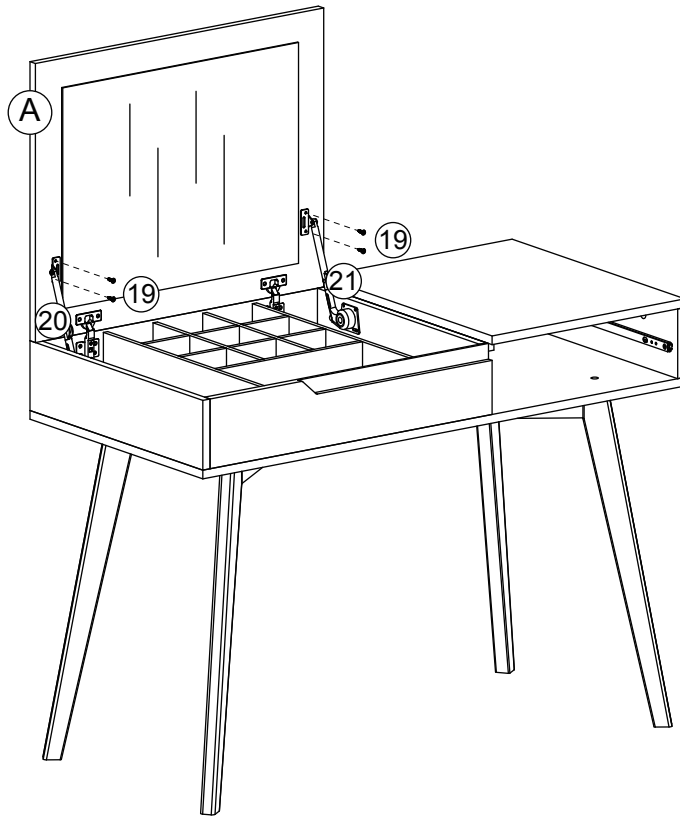
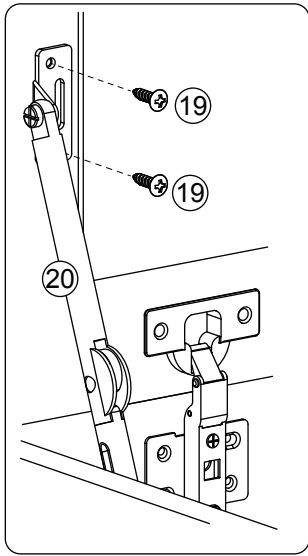


⑧×12



Assembly Instruction

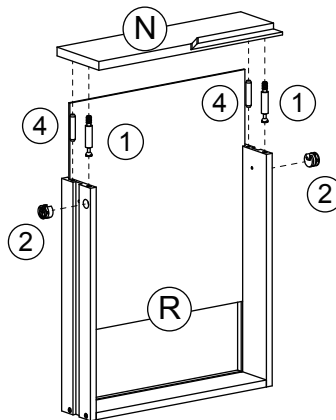
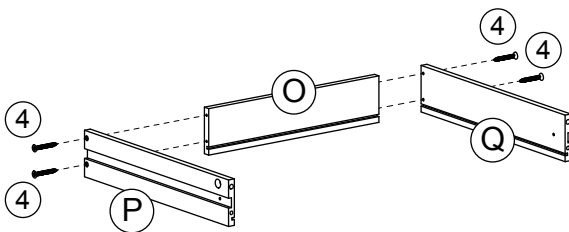
Step 14



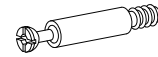
19×4



Step 15



1×2



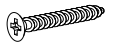
2×2



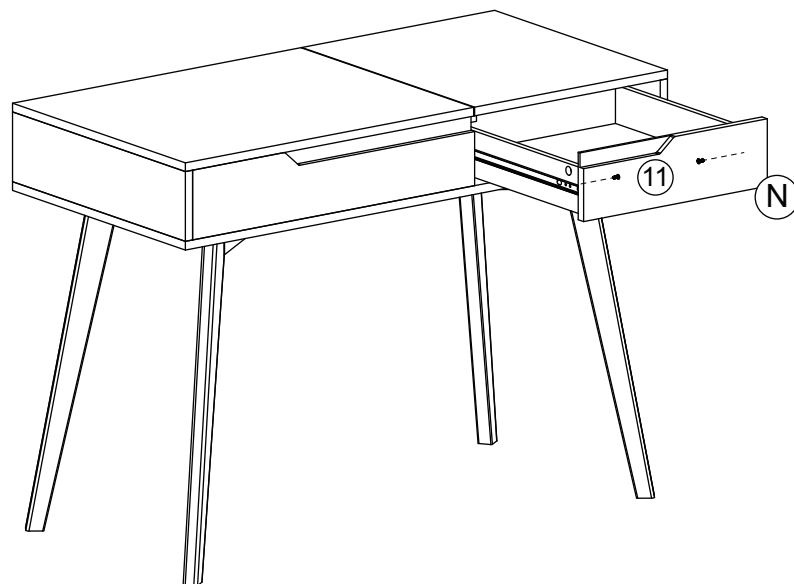
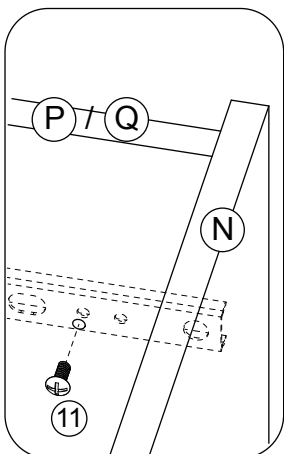
4×2



9×4



Step 16



11×2

