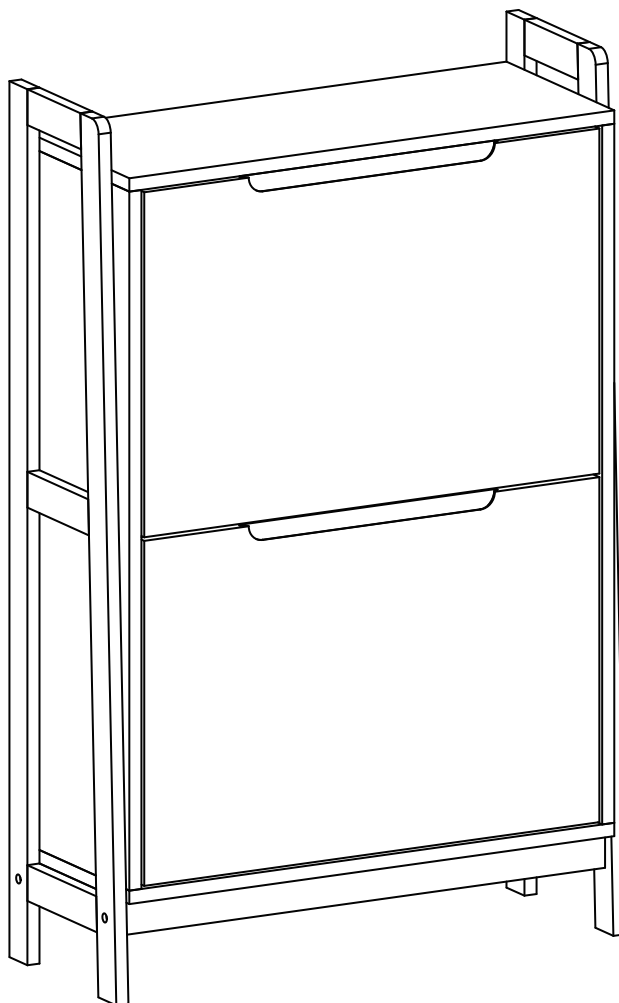


Chole 2 Door Wooden Shoe Cabinet Rack

Assembly Instructions – Please keep for future reference

BQNX092-0608-1

V.211015.02



Dimensions

Width - 62.5cm

Depth - 24cm

Height - 98.2cm

Important - Please read these instructions fully before starting assembly

USER MANUAL

Thank you for choosing our product. We hope you will find the instructions on this user manual clear and easy to follow. If you take a few minutes to look through it, you'll learn how to assemble and use of your new unit for maximum enjoyment.

This User Manual will provide basic instructions and safety guide for this products. After you have finished reading the instructions, please keep this manual in a safe place for future reference.

Should you ever experience a problem with of any our products, please fell free to contact us.



SAFETY INSTRUCTION

FAILURE TO COMPLY WITH OR OBSERVE ALL ASSEMBLY, SAFETY AND OPERATING INSTRUCTION AND WARNING REGARDING THE USE OF THIS PRODUCT MAY RESULT IN SERIOUS INJURY.

The safety of our clients and users is our primary concern. To ensure safe operation, please read this instruction carefully.

WARNING: Any furniture that is not anchored to a wall has the potential to tip over in certain circumstances, i.e. if a child attempts to climb up on the furniture or in the event of an earthquake. Accordingly, we strongly recommend securing all furniture to a wall using the anti-topple wall bracket supplied.

We have provided the fittings for attaching the wall bracket to the unit, but due to the different types of walls you might have, we not provided the fitting for attaching the bracket to your wall. You should first identify the type of wall you intent to fix the product to and then contact your local hardware store to get the appropriate fixings.

When attaching to walls always consider the position of any electrical cables or water pipes nearby.

WARNING

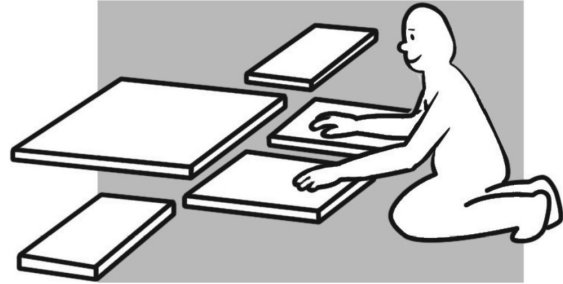
FAILURE TO FOLLOW THESE BASIC STEPS CAN LEAD TO DAMAGE THAT IS NOT COVERED BY YOUR WARRANTY

1



Read Instructions carefully. Check no parts are missing.

2



Lay out all of the components on a soft surface as if you were preparing to do a jigsaw puzzle.

3



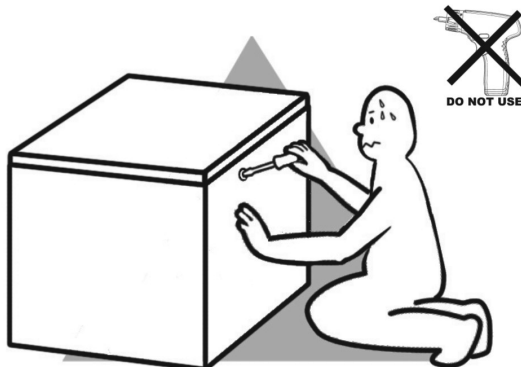
Carefully identify each component, especially those that are similar. The most common mistake is getting things back to front.

4



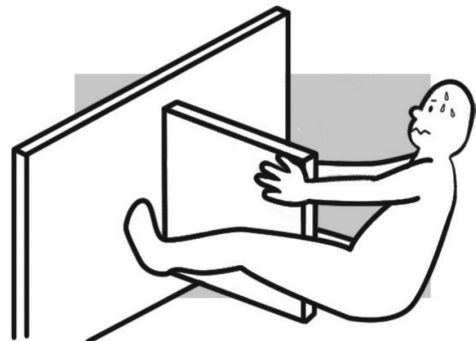
Separate and identify each component from the hardware pack and rest each one in its proper location before fastening.

5



DO NOT fully tighten screws (leave slightly loose). When the item is fully assembled tighten the screws - but do not over tighten.

6



If glue is required **DO NOT** set until you are certain that the parts belong together.



Safety and Care Advice

Important – Please read these instructions fully before starting assembly

Check you have all the components and tools listed are included.

Remove all fittings from plastic bags and separate them into their groups.

Keep children and animals away from the work area, small parts could choke if swallowed.

Make sure you have enough space to layout the parts before starting.

Do not stand or put weight on the products, this could cause damage.

Assemble the item as close to its final position (in same room) as possible.

Do not place furniture direct in front of radiators, fires or any other source of heat.



Parts of assembly will be easier with 2 people.

Assemble on soft level surface to avoid damaging the unit or your floor.



We do not recommend the use of power drill/drivers for inserting screws, as this could damage the unit.

Dispose of all packing carefully and responsibly.

General Care And Maintenance

To ensure that you receive maximum pleasure from your new furniture, it is very important for you to care your products.

Maintain the furniture on a regular basis and in accordance with the instructions

Take care to prevent sharp objects and avoid contact with chemicals e.g. cosmetics or hair products which may permanently mark the surface,

From time to time check that all the fittings are tight on this piece of furniture.

Always use coasters to protect surface from moisture and heat.

Take care when moving furniture—dragging pieces across the floor will damage the joints.

Avoid exposing your furniture to direct and prolonged periods of sunlight and heat sources as fading and cracking may occur.

Cleaning And Care Of Products

Dust regularly with a clean dry cloth.

Wipe up any spills immediately with a damp cloth and then dry the surface with a clean dry duster.

Remove stubborn stains with weak washing up liquid solution and a damp cloth and dry with a clean duster.

Do NOT use abrasive cleaners.

Do NOT clean with the following or products containing the following:
Acetone (eg nail varnish remover), Ammonia (eg bleach) or Sodium hydroxide (eg Caustic soda, drain and oven cleaners). In the event of accidental contact rinse thoroughly with water

General Information

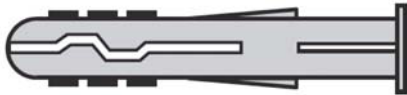
If for any reason you should have problems with your products, Please retain your receipt as proof of purchase and contact the store from which you purchased it.

A Guide to – Wall Mounting & Fixings

Important Notes:

Important: When drilling into walls always check that there are no hidden wires or pipes etc.

Wall Fixings:



- because of the variety of different wall types, we have provided kind but may not exact fixings you will need to fix this product to the wall.

In this case, you must first identify the type of wall you intend to fix product onto and then contact your local hardware store to get the appropriate fixings.

Make sure that the screws and wall plugs being used are suitable for supporting your unit. Consult a qualified tradesperson if you are unsure.

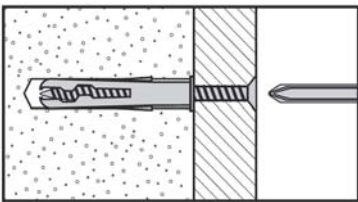
Hints:

- 1: **General rule:** Always use a larger screw and wall plug if you are not sure.
- 2: Ensure you use the recommended drill bit to match the wall plug and hole size.
- 3: Ensure you drill the hole horizontally, do not force the drill or enlarge the hole.
- 4: Take extra care when drilling high walls, ceilings and ceramic tiles. Ensure wall plugs are inserted beyond the thickness of the ceramic tiles to avoid the tiles splitting or cracking.
- 5: Ensure wall plugs are well fitted and are a tight fit in the drilled hole.

Types of walls

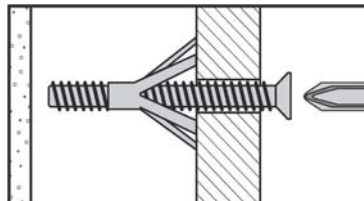
You can use one of the following types of wall plug if your wall are mad of brick, breeze block, concrete, stones or wood.

No.1 'General Purpose' wall plug



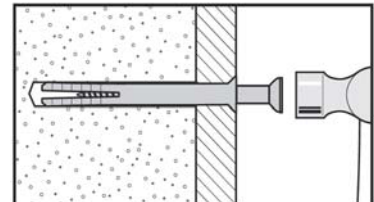
Generally aerated blocks should not be used to support heavy loads, use a specialist fitting in this case. For light loads, general purpose wall plugs can be used.

No.2 'Cavity Fixing' wall plug



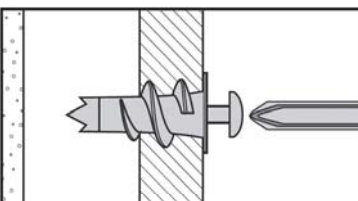
For use with plasterboard partitions or hollow wooden doors.

No.3 'Hammerfixing wall plug



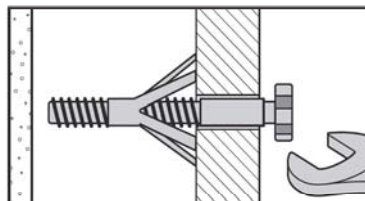
For use with walls stuck with plasterboard. The hammer fixing allows it to be fixed to the wall rather than the plasterboard. Always check the fixing is secure to the

No.4 'Plasterboard' wall plug



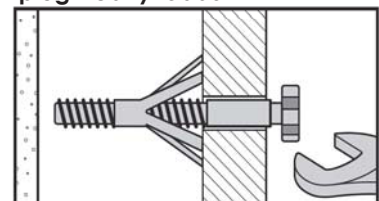
For use when attaching light loads on to plasterboard partitions.

No.5 'Cavity Fixing-Heavy Duty' wall plug



For use when fitting or supporting heavy loads such as shelving, wall cabinets and coat racks.

No.6 'Shield Anchor' wall plug Heavy loads



For use with heavier loads such as TV & HiFi speakers and satellite dishes etc.



Safety and care advice

Important - Please read these instructions fully before starting assembly

- Read all instructions before assembling unit. **DO NOT USE THIS UNIT IF THE INSTRUCTIONS CANNOT BE STRICTLY FOLLOWED.**

WARNING

- Failure to follow these warnings and assembly instructions could result in serious injury or death.

- Check you have all the components and tools listed on pages 2 and 3.
- Remove all fittings from the plastic bags and separate them into their groups.
- Keep children and animals away from the work area, small parts could choke if swallowed.
- Make sure you have enough space to layout the parts before starting.
- Do not stand or put weight on the panels, this could cause damage.
- Assemble the unit as close to its final position (in the same room) as possible.

- Assemble on a soft level surface to avoid damaging the unit or your floor.
- **Note:** Only apply the glue once you are sure of the assembly.
- The wall plugs supplied are suitable for solid walls only. It is important that the correct type of fixing is used for your wall, seek professional advice if in doubt.
- Parts of the assembly will be easier with 2 people.
- If using power tools, please follow the safety instructions supplied with the tools.



- We do not recommend the use of power drill/ drivers for inserting screws, as this could damage

the unit. Only use hand screwdrivers.

- **Warning:** Before drilling, check the wall for hidden pipes and cables.
- Dispose of all packaging carefully and responsibly.

Glue safety - Take care when using glue, please follow the advice below

Skin contact: Remove contamination by washing with soap and water. This procedure should also be followed prior to eating and drinking.

Eye contact: Rinse immediately with clean water for 15 minutes and seek medical advice.

If swallowed: Seek medical advice immediately. If possible show product information or label to the medical advisor.

Care and maintenance

- Only clean using a damp cloth and mild detergent, do not use bleach or abrasive cleaners.

- From time to time check that there are no loose screws on this unit.

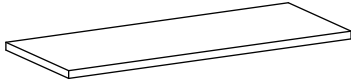
- This product should not be discarded with household waste. Take to your local authority waste disposal centre.

Note: if required the next page can be cut out and used as a reference throughout the assembly. Keep this page with these instructions for future reference.

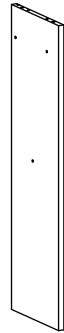
Components - Panels

If you have damaged or missing components, call the Customer Helpline: 03456 400800

Please check you have all the panels listed below



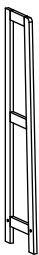
1 Top panel



2 Inner left side panel



3 Inner right side panel



4 Outer left side panel



5 Outer right side panel



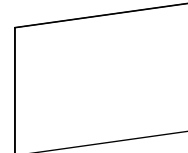
6 Front bar



7 Back bar



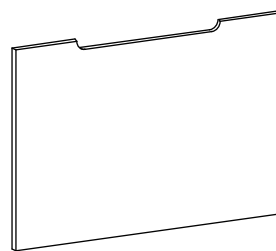
8 Bottom panel



9 Back panel x 2



10 Base bar x 2



11 Door x 2



12 Adjustable shelf x 4



13 Fixed shelf x 2








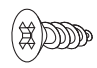


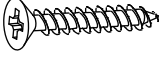

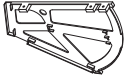
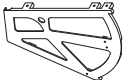




14 Front bar

Components - Fittings

Please check you have all the fittings listed below

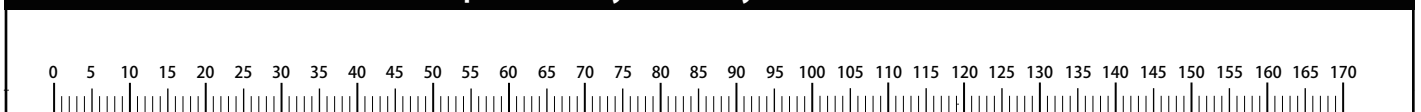
Note: The quantities below are the correct amount to complete the assembly. In some cases more

<p>A </p> <p>Locking Pin x 8</p>	<p>B </p> <p>Locking Nut x 8</p>	<p>C </p> <p>Wooden dowel x 18</p>
<p>D </p> <p>40 mm bolt x 4</p>	<p>E </p> <p>nut x 4</p>	<p>F </p> <p>25 mm Screw x 4</p>
<p>G </p> <p>30mm Screw x 8</p>	<p>H </p> <p>12mm Screw x 16</p>	<p>I </p> <p>Plastic joiner x 4</p>
<p>J </p> <p>Plastic fitting x 4</p>	<p>K </p> <p>16mm Screw x 22</p>	<p>L </p> <p>Hanger Bracket x 2</p>
<p>M </p> <p>Left plastic panel x 2</p>	<p>N </p> <p>Right plastic panel x 2</p>	<p>O </p> <p>Wall plug (for solid walls only) x 2</p>
<p>P </p> <p>Allen Wrench x 1</p>		

Tools required



Ruler - Use this ruler to help correctly identify the screws



Assembly Instructions

Step 1

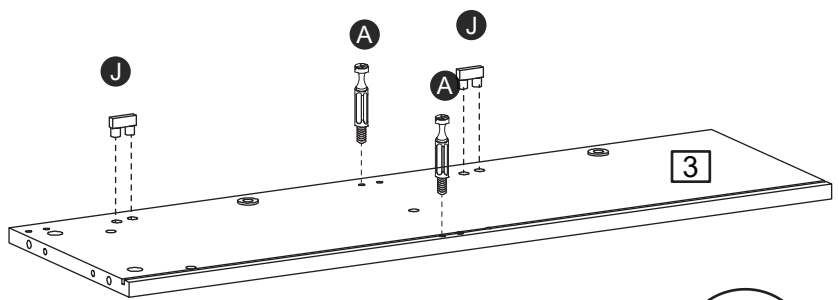
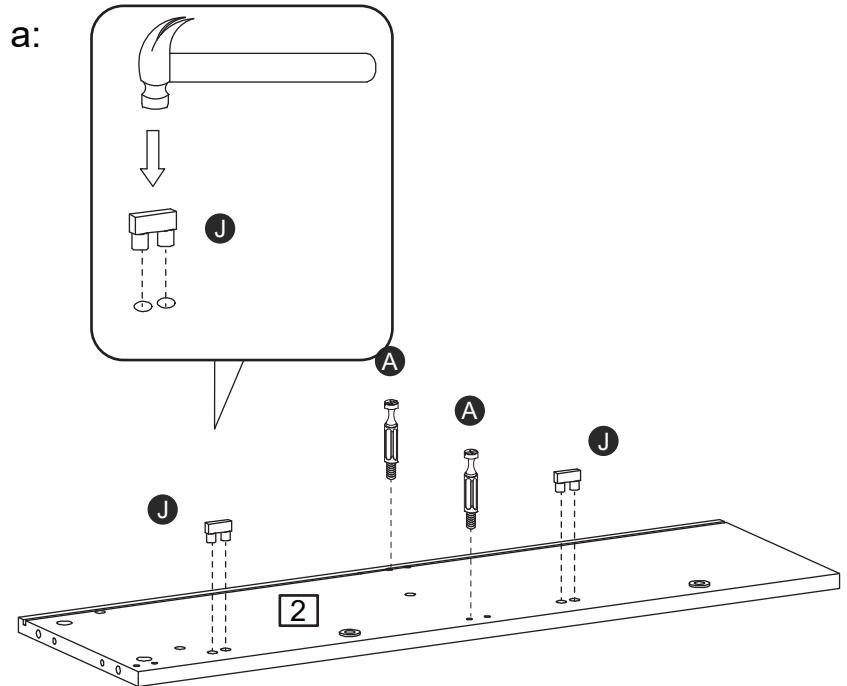
Assembling side panel

NOTE: It would be useful to ask someone to help you at this stage.

a:

Screw 4 x locking pin **A** into inner left side panel **2** and inner right side panel **3**.

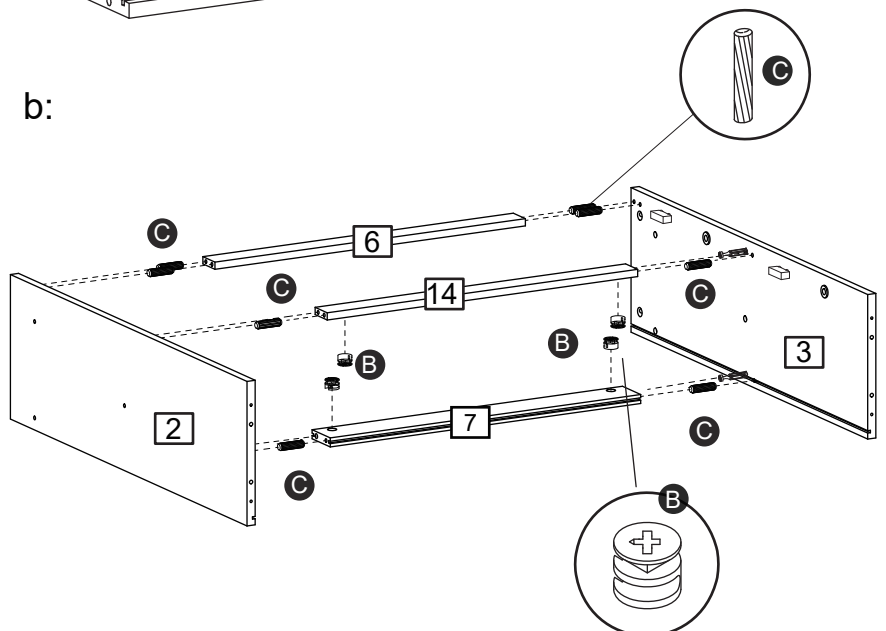
Insert 4 x plastic fitting **J** into inner left side panel and inner right side panel using a hammer for assistance.



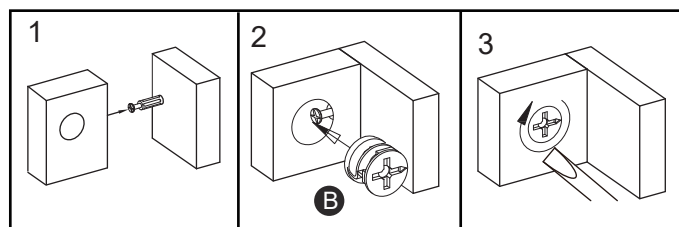
b:

Insert 8 x dowel **C** into front bar **6** & **14** and back bar **7**.

Attach inner left side panel **2** and inner right side panel **3** to the bars as shown.



Insert 4 x locking nut **B** into back bar and tighten it to secure the unit.



Assembly Instructions

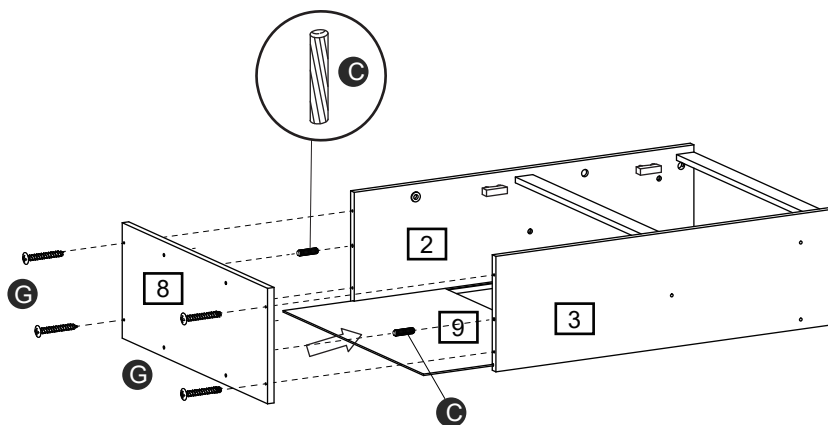
Step 2

Assembling bottom panel

Carefully slide back panel **9** into the groove of the unit.

Insert 2 x wooden dowel **C** into inner side panel **2** **3** and attach bottom panel **8** onto it.

Use 4 x screw **G** to fix bottom panel to the unit.



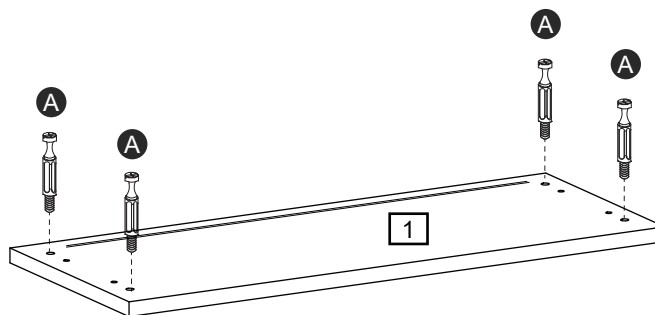
Step 3

Assembling top panel

NOTE: It would be useful to ask someone to help you at this stage.

a:

Screw 4 x locking pin **A** into top panel **1**.



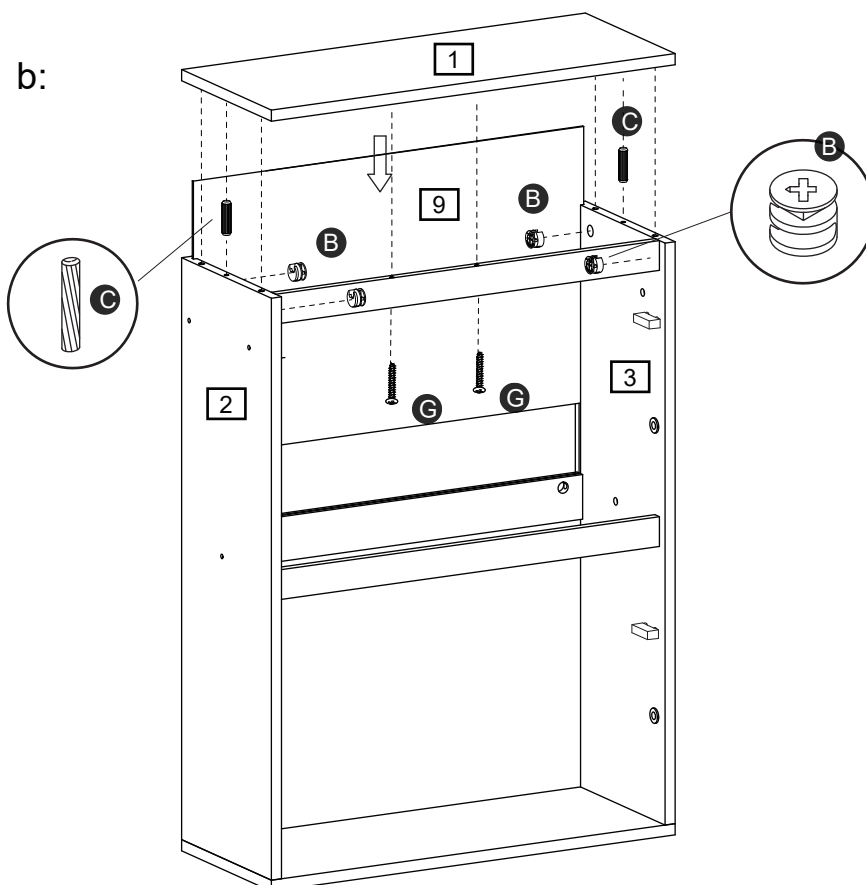
b:

Carefully slide back panel **9** into the groove of the unit.

Insert 2 x wooden dowel **C** into inner side panel **2** **3** and attach top panel **1** onto it.

Insert 4 x locking nut **B** into inner side panels and tighten it to secure the unit.

Use 4 x screw **G** to fix top panel to the unit.



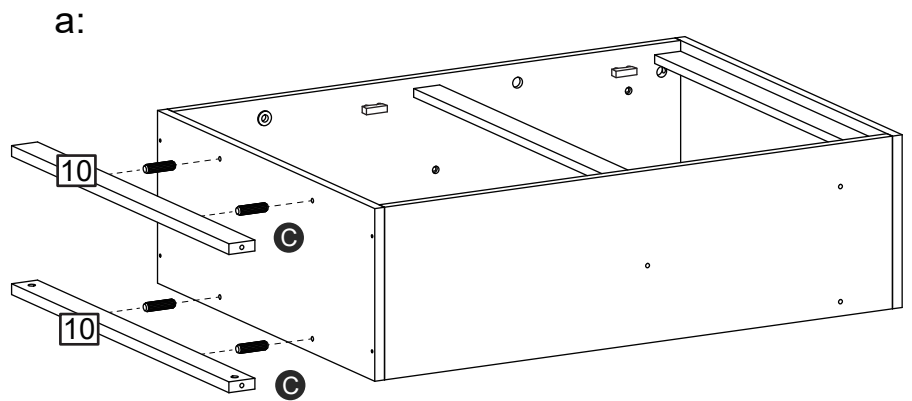
Assembly Instructions

Step 4

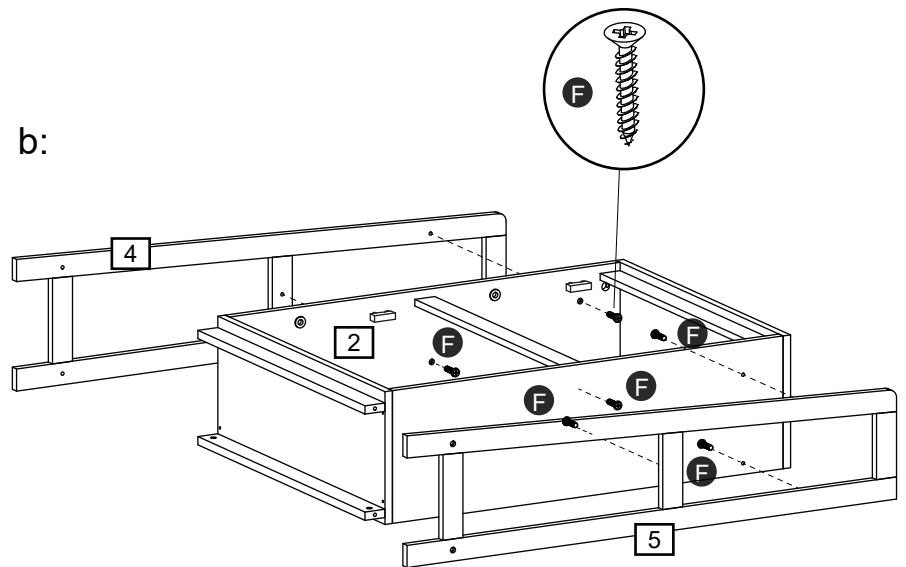
Assembling outer side panel

NOTE: It would be useful to ask someone to help you at this stage.

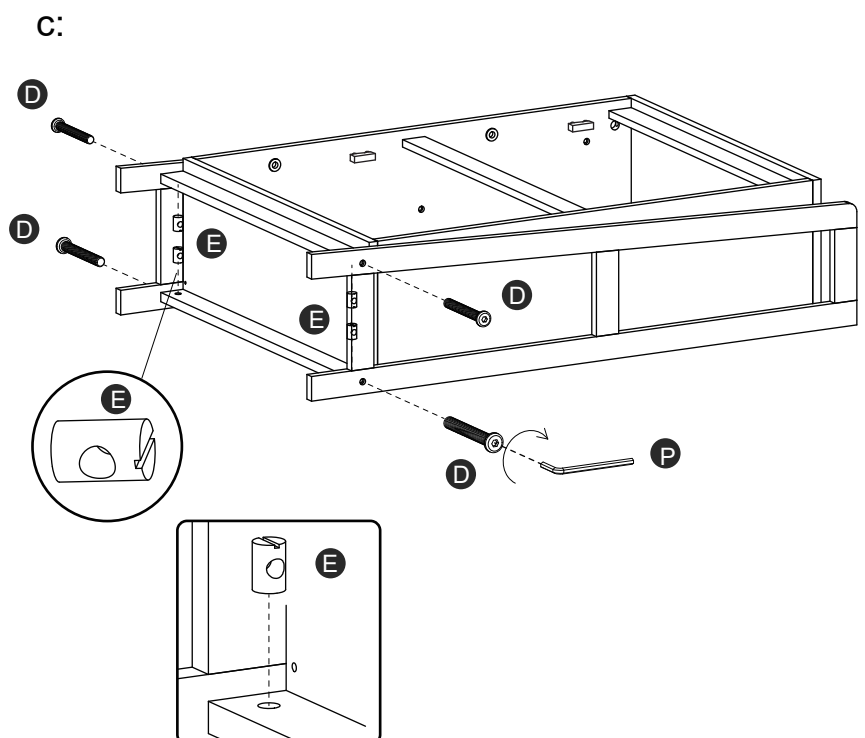
a:
Insert 4 x dowel **C** into base bar **10** and attach base bar onto the unit as shown.



b:
Use 6 x Screw **F** to fix outer left side panel **4** and outer right side panel **5**.



c:
Use 4 x bolt **D** and 4 x nut **E** to fix outer left side panel and outer right side panel to the unit by the allen key **P**.



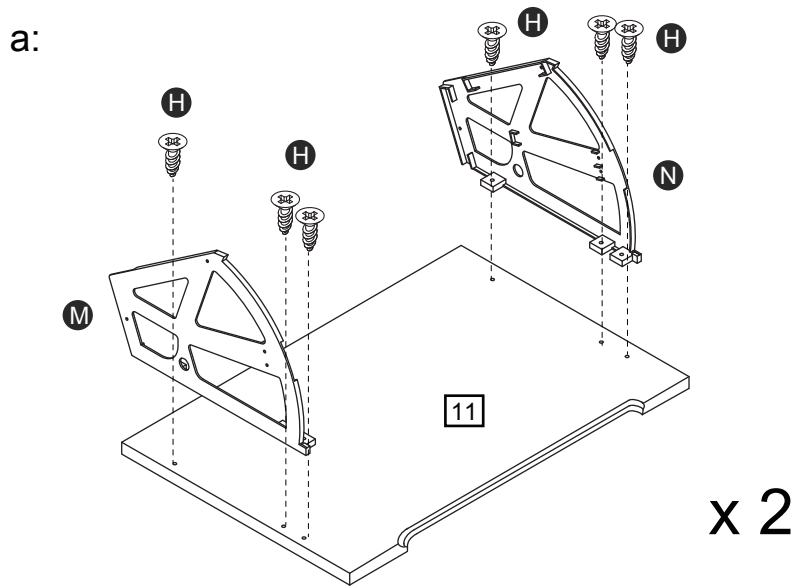
Assembly Instructions

Step 5

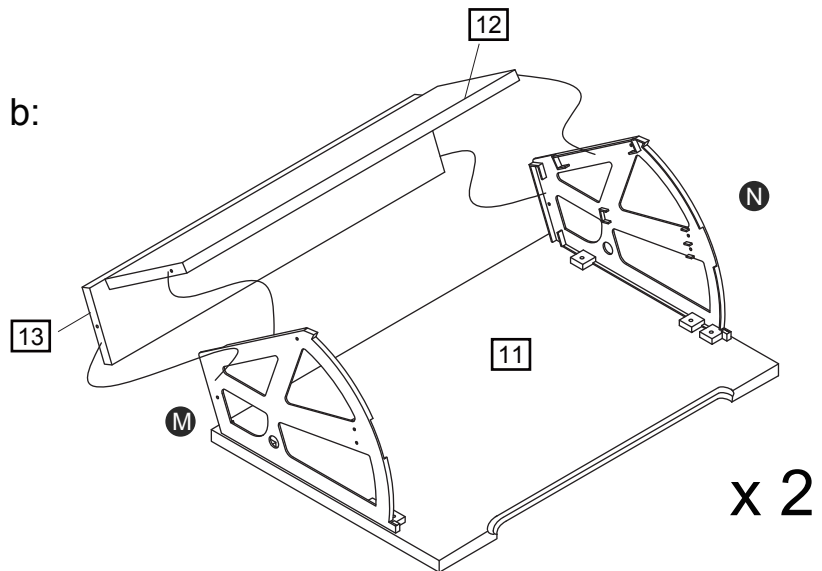
Assembling door

NOTE: It would be useful to ask someone to help you at this stage.

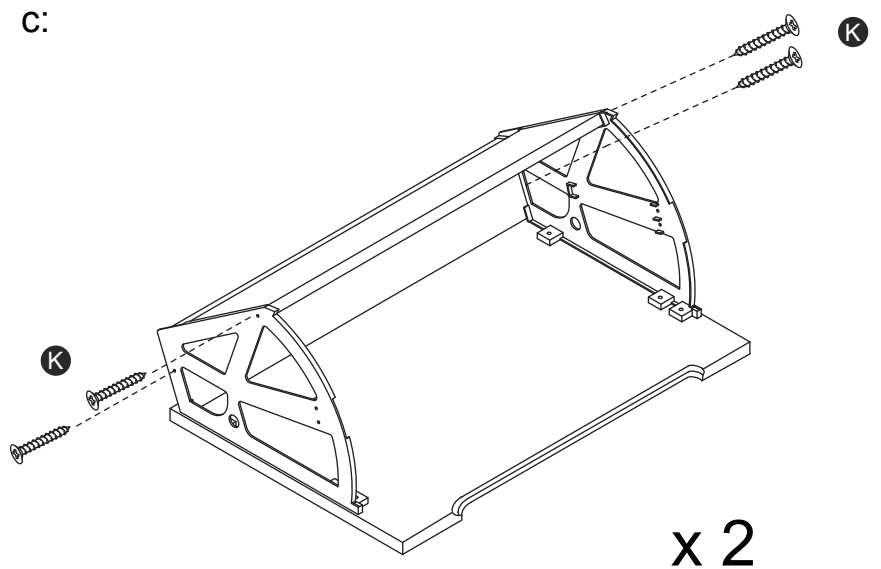
a:
Attach 2 x left plastic panel **M** and 2 x right plastic panel **N** to 2 x door **11** with 12 x screw **H**.



b:
Attach shelves **12** **13** to 2 x plastic panel **M** **N**.



c:
Use 4 x screw **K** to fix shelves to 2 x plastic panel **M** **N**.



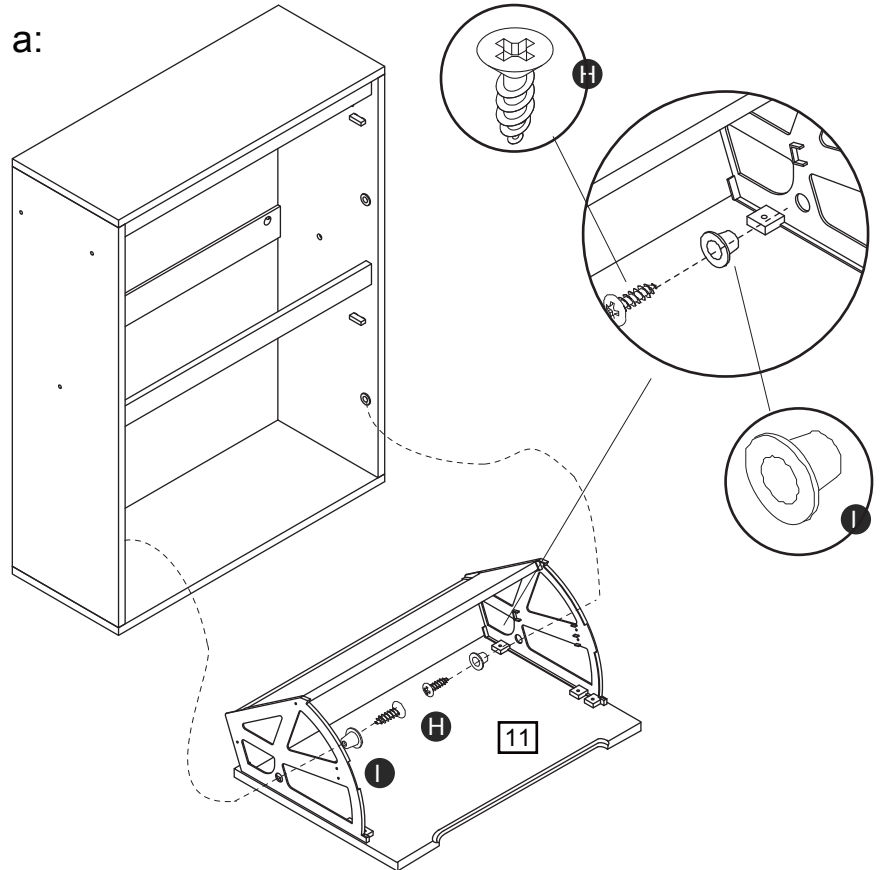
Assembly Instructions

Step 6

Assembling door panel

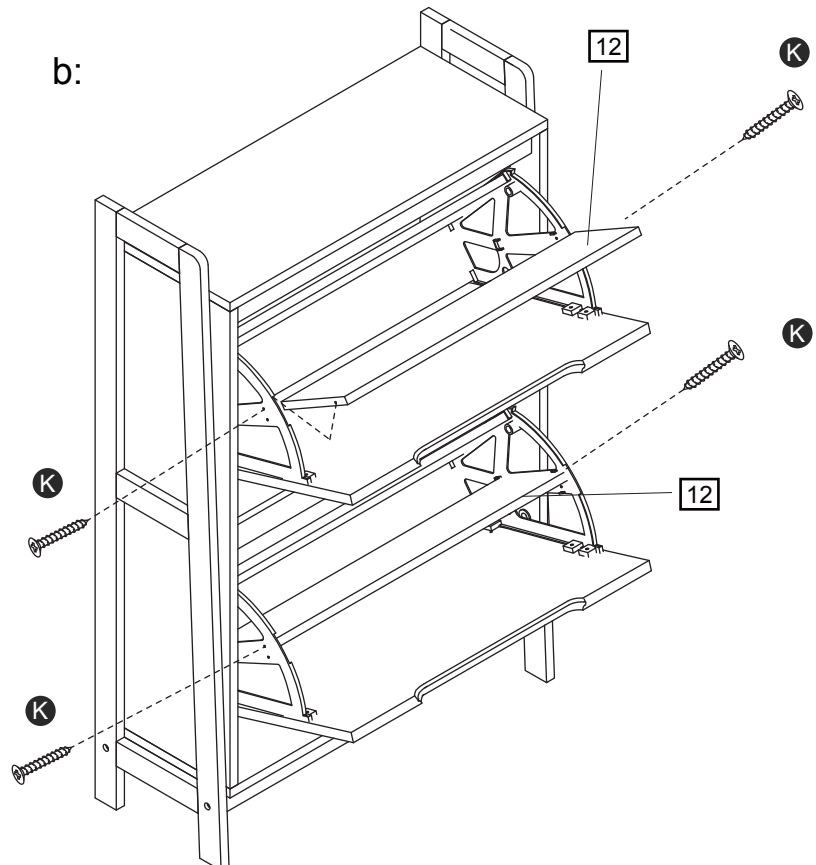
NOTE: It would be useful to ask someone to help you at this stage.

a:
Repeat previous step to insert other assemble shoe storage compartment into the unit as shown in diagram.



b:
Slide 2 x adjustable 2 x shelf [12] into groves of drawer and use 4 x screw [K] to fix shelf to the unit.

Note:
Adjust the position of adjustable shelf [12] according to the size of shoes.



Assembly Instructions

Step 7

Fix to the wall

NOTE: It would be useful to ask someone to help you at this stage.

Use 6 x screw **K** to fix 2 x hanger bracket **L** onto the unit.

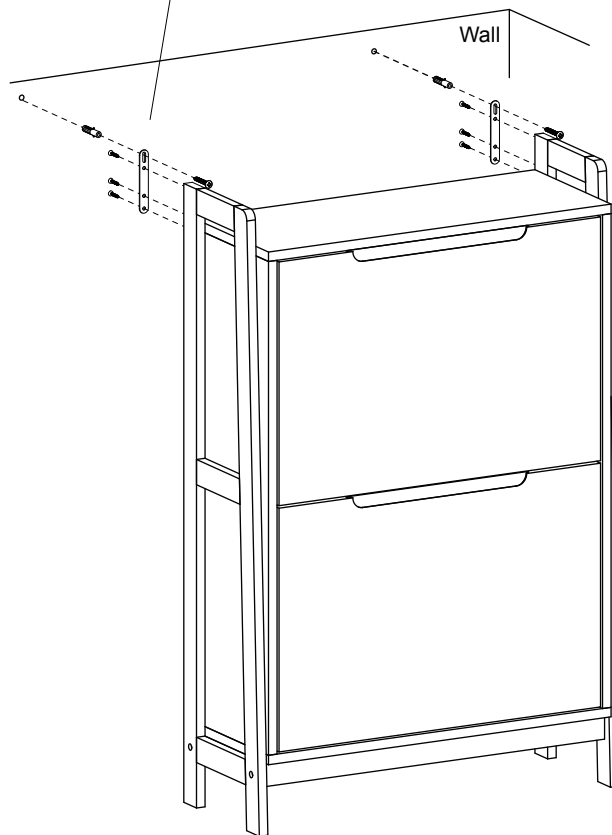
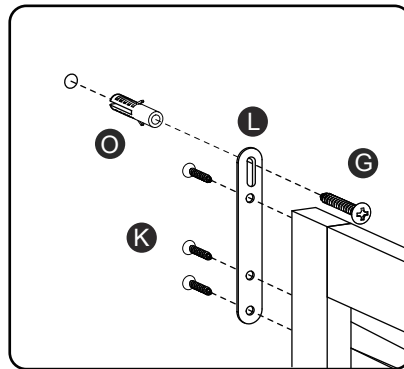
Use 2 x screw **G** and 2 x wall plug **O** to fix the unit onto the wall.

Warning!

Please make sure the unit is secured to the wall before use.

Please refer to next page the Guide for Wall Mounting & Fixings.

After above assembly, please double check and make sure all screws are firmly fixed before use.



A Guide to - Wall Mounting & Fixings

Important note:

If plastic wall plugs are supplied with your product:



- these are only suitable for use in masonry walls.

If you are in any doubt about the correct wall plugs for your wall, seek professional advice.


Failure of the product due to using incorrect fixings is the responsibility of the installer.



Important: When drilling into walls always check that there are no hidden wires or pipes etc.

Make sure that the screws and wall plugs being used are suitable for supporting your unit. Consult a qualified tradesperson if you are unsure.

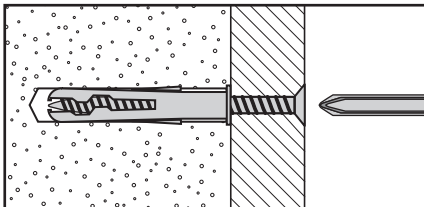
Hints:

- 1: General rule:**  Always use a larger screw and wall plug if you are not sure.
- 2:** Ensure you use the recommended drill bit to match the wall plug and hole size.
- 3:** Ensure you drill the hole horizontally, do not force the drill or enlarge the hole.
- 4:** Take extra care when drilling high walls, ceilings and ceramic tiles. Ensure wall plugs are inserted beyond the thickness of the ceramic tiles to avoid the tiles splitting or cracking.
- 5:** Ensure wall plugs are well fitted and are a tight fit in the drilled hole.

Types of walls

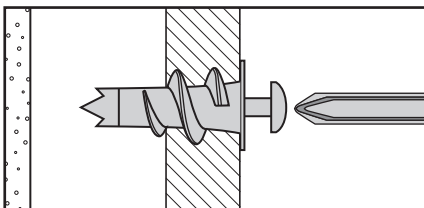
You can use one of the following types of wall plug if your walls are made of brick, breeze block, concrete, stone or wood.

No.1 "General Purpose" wall plug



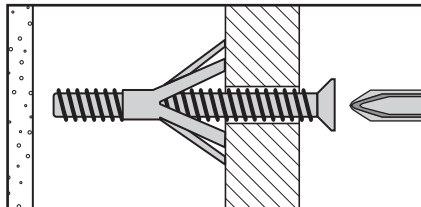
Generally aerated blocks should not be used to support heavy loads, use a specialist fitting in this case. For light loads, general purpose wall plugs can be used.

No.2 "Plasterboard" wall plug



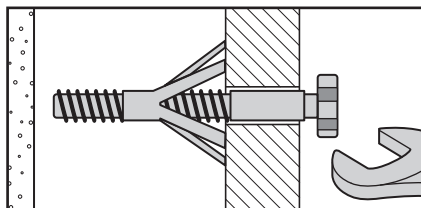
For use when attaching light loads on to plasterboard partitions.

No.3 "Cavity Fixing" wall plug



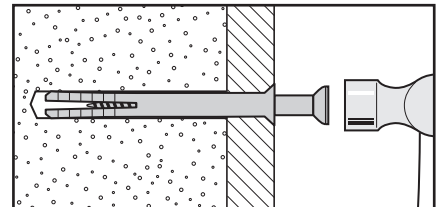
For use with plasterboard partitions or hollow wooden doors.

No.4 "Cavity Fixing-Heavy Duty" wall plug



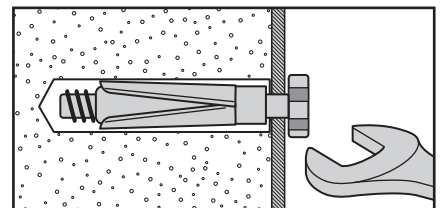
For use when fitting or supporting heavy loads such as shelving, wall cabinets and coat racks.

No.5 "Hammer Fixing" wall plug



For use with walls stuck with plasterboard. The hammer fixing allows it to be fixed to the wall rather than the plasterboard. Always check the fixing is secure to the retaining wall.

No.6 "Shield Anchor" wall plug Heavy loads



For use with heavier loads such as TV & HiFi speakers and satellite dishes etc.



Care & Maintenance

Safety: Always check the fitting and location to ensure your safety in and around the home.

Fitting: From time to time check the fitting to ensure the wall plugs or screws do not become loose.