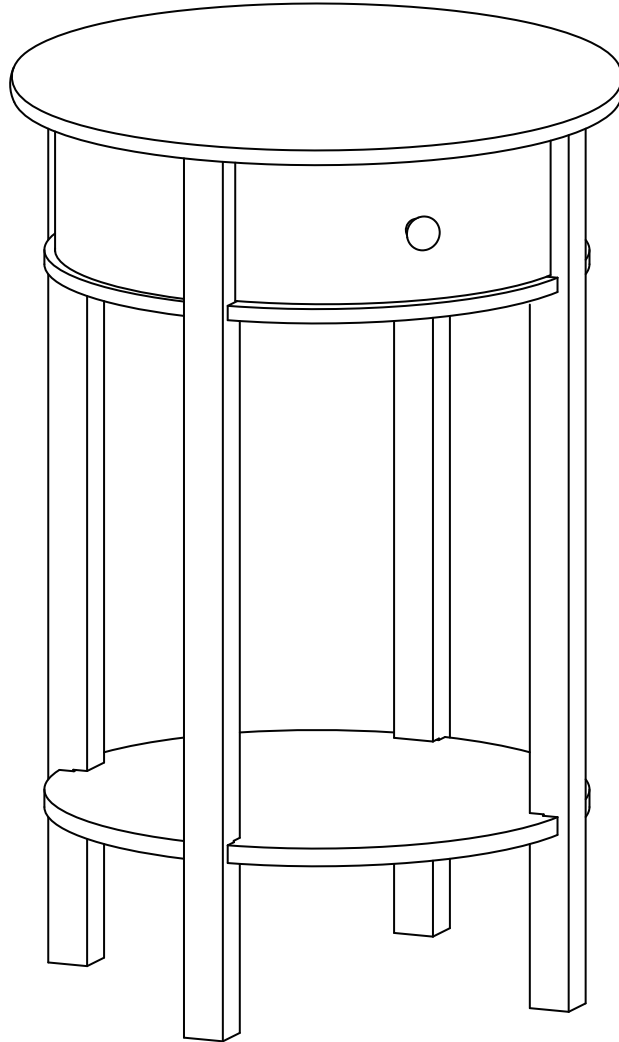



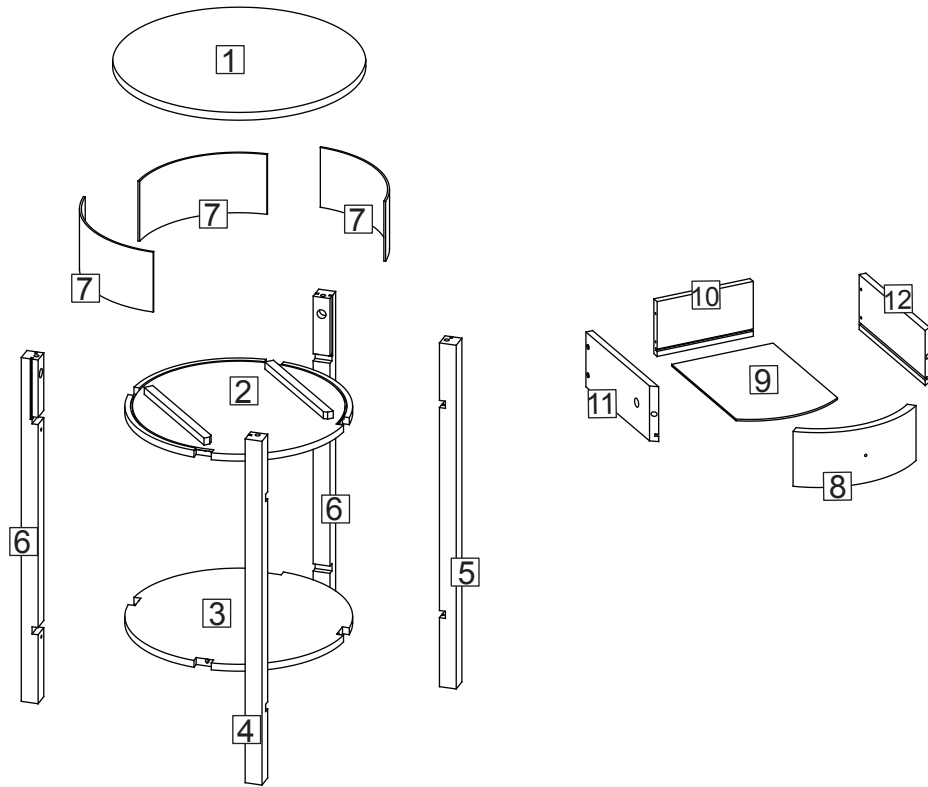
Assembly Instructions

BQNX013-149CW V.230224.02



 Scanning the QR code to open assembly instructions.

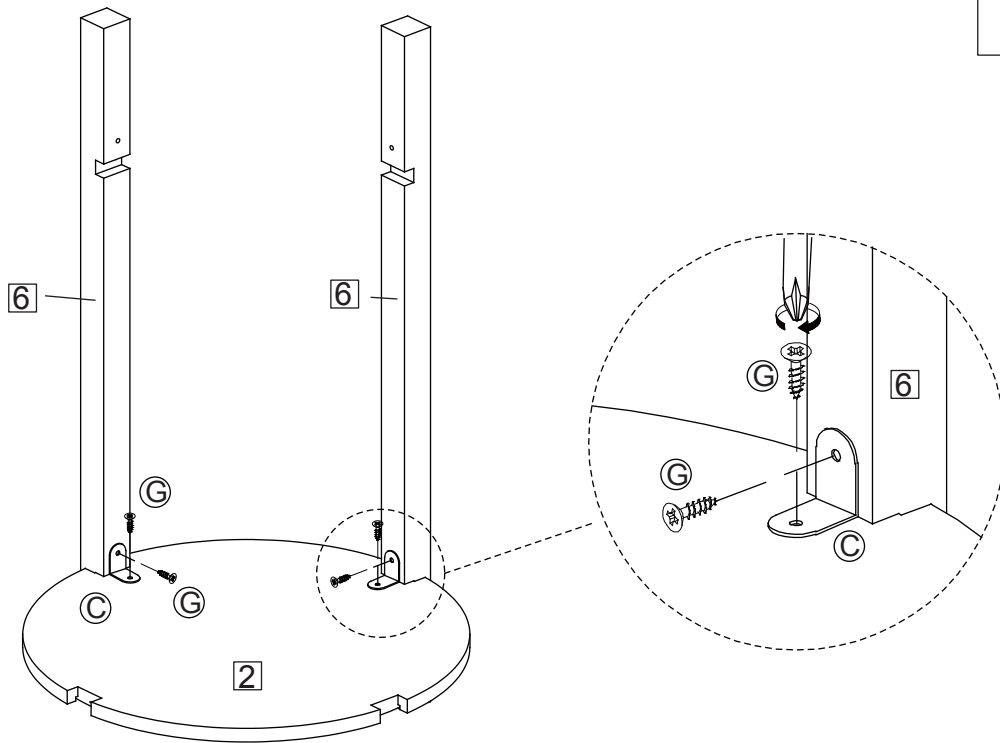
Assembly Instructions



1 x 1pc	2 x 1pc	3 x 1pc	4 x 1pc	5 x 1pc	6 x 2pc
7 x 3pc	8 x 1pc	9 x 1pc	10 x 1pc	11 x 1pc	12 x 1pc
A x 6pc	B x 6pc	C x 8pc	D x 1pc	E x 4pc	F x 1pc
G x 16pc	H x 1pc	I x 2pc	J x 4pc		

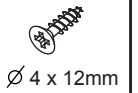
Assembly Instructions

STEP 1



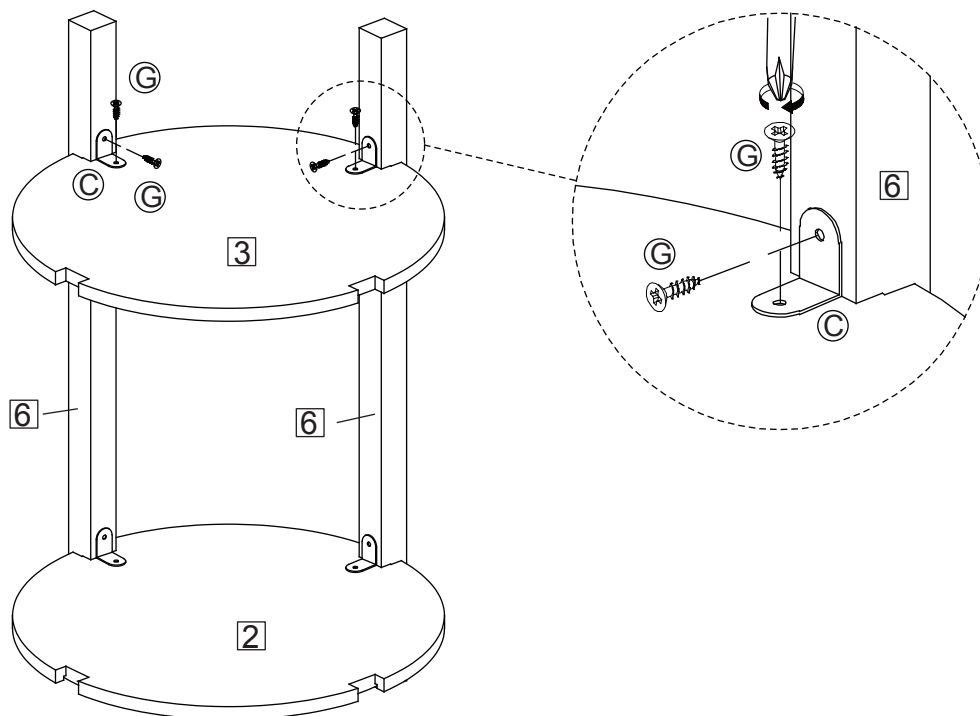
C x 2pc

G x 4pc



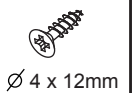
Ø 4 x 12mm

STEP 2



C x 2pc

G x 4pc



Ø 4 x 12mm

Assembly Instructions

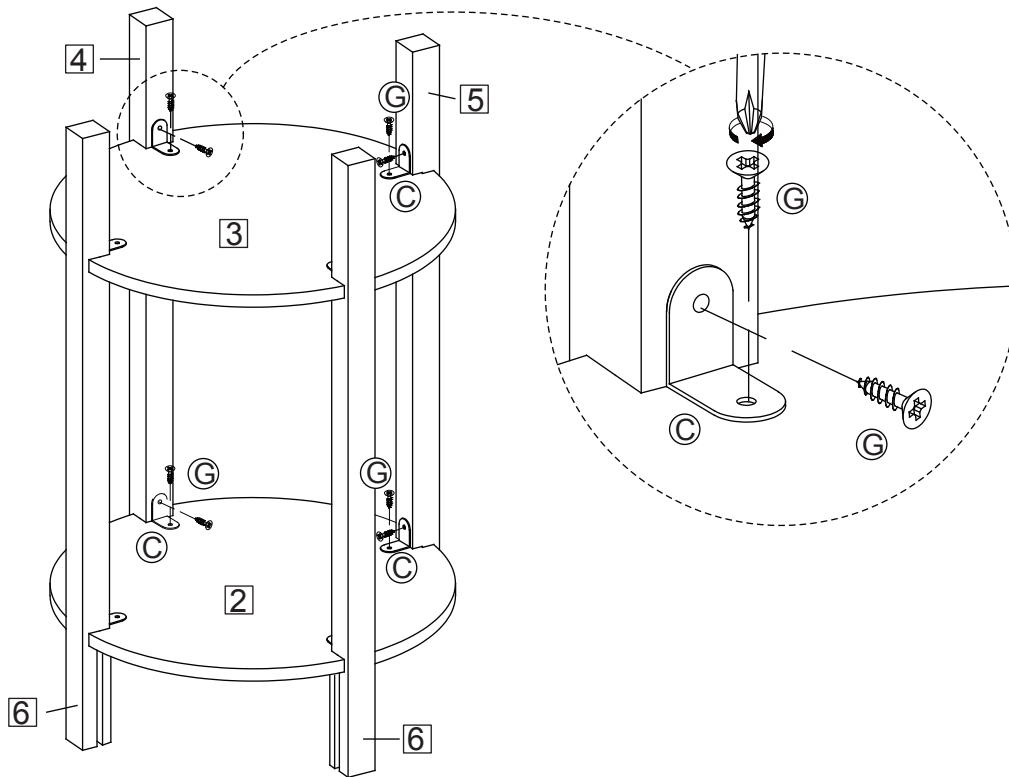
STEP 3

C x 4pc

G x 8pc

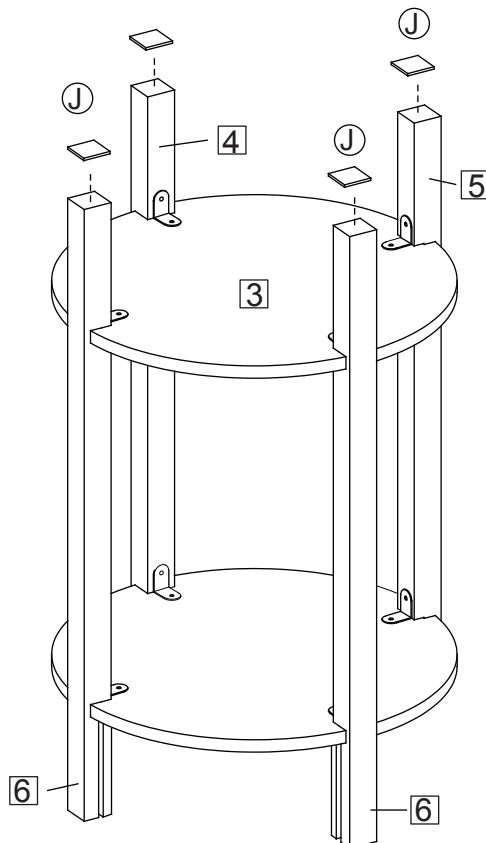


∅ 4 x 12mm



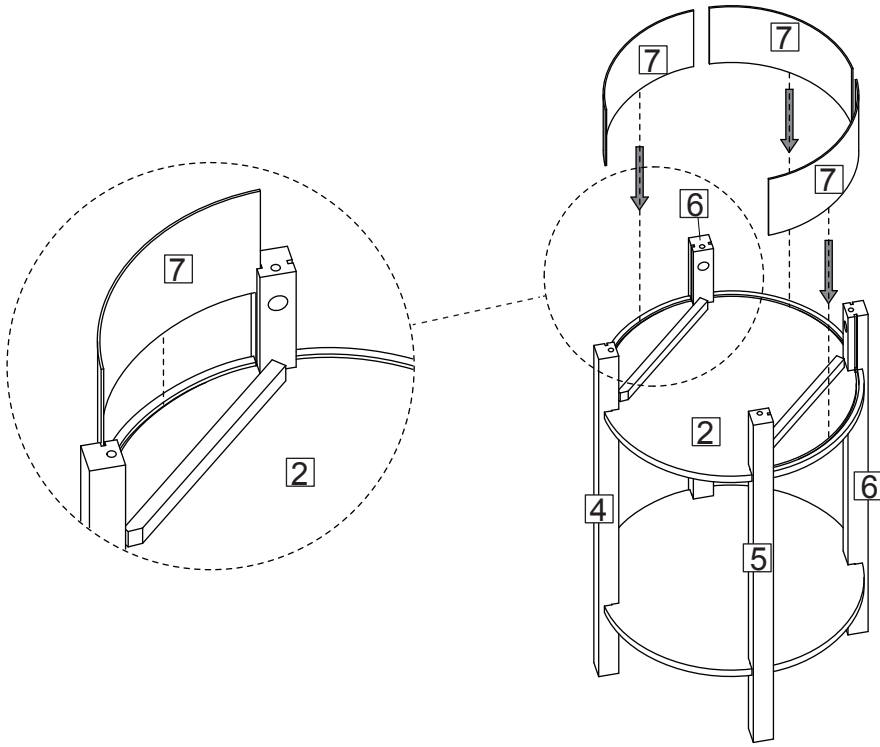
STEP 4

J x 4pc

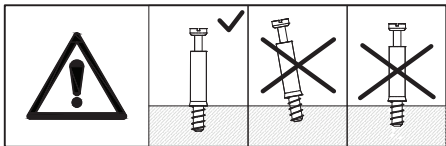


Assembly Instructions

STEP 5

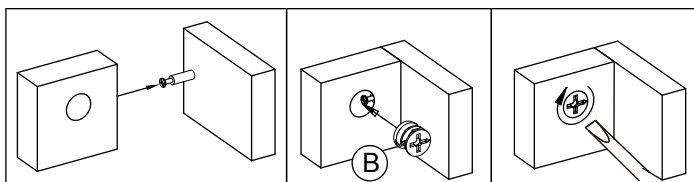
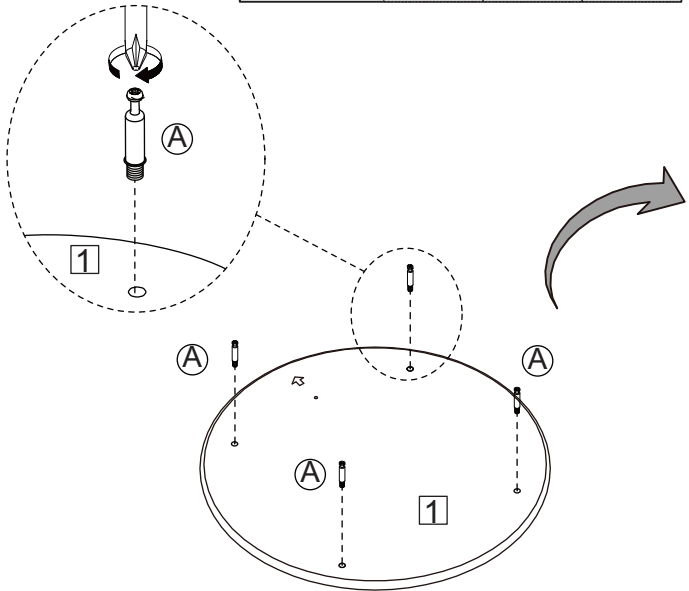


STEP 6



(A) x 4pc

(B) x 4pc

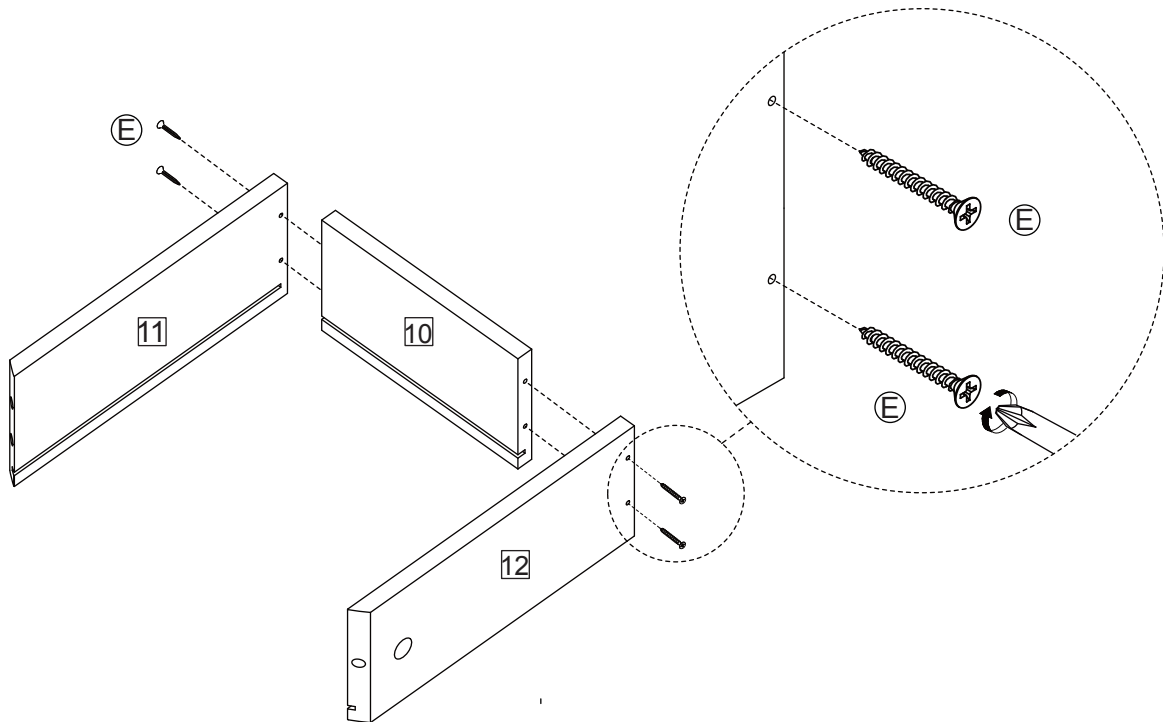


Assembly Instructions

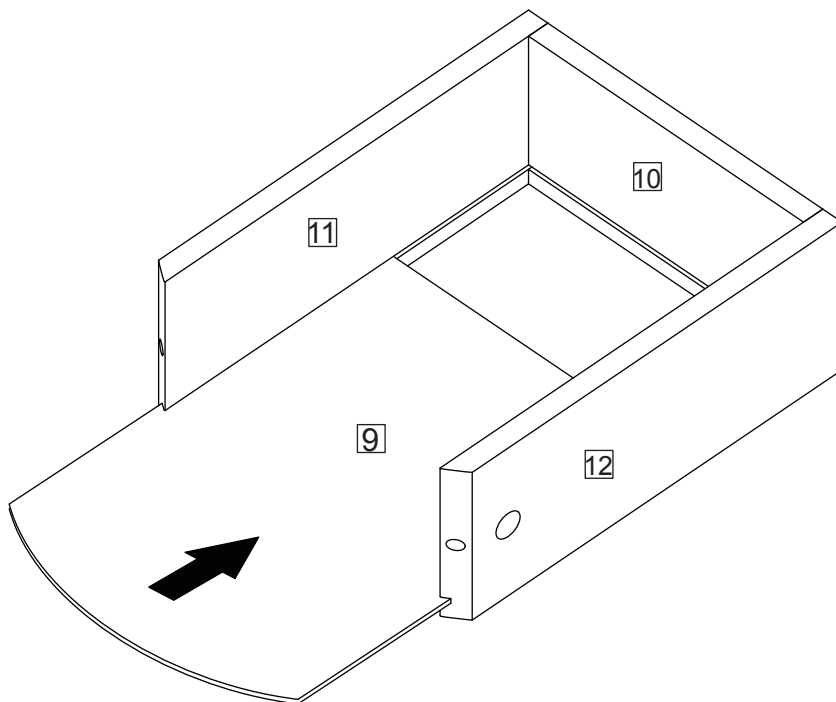
STEP 7

Ⓔ x 4pc


∅ 4 x 30mm






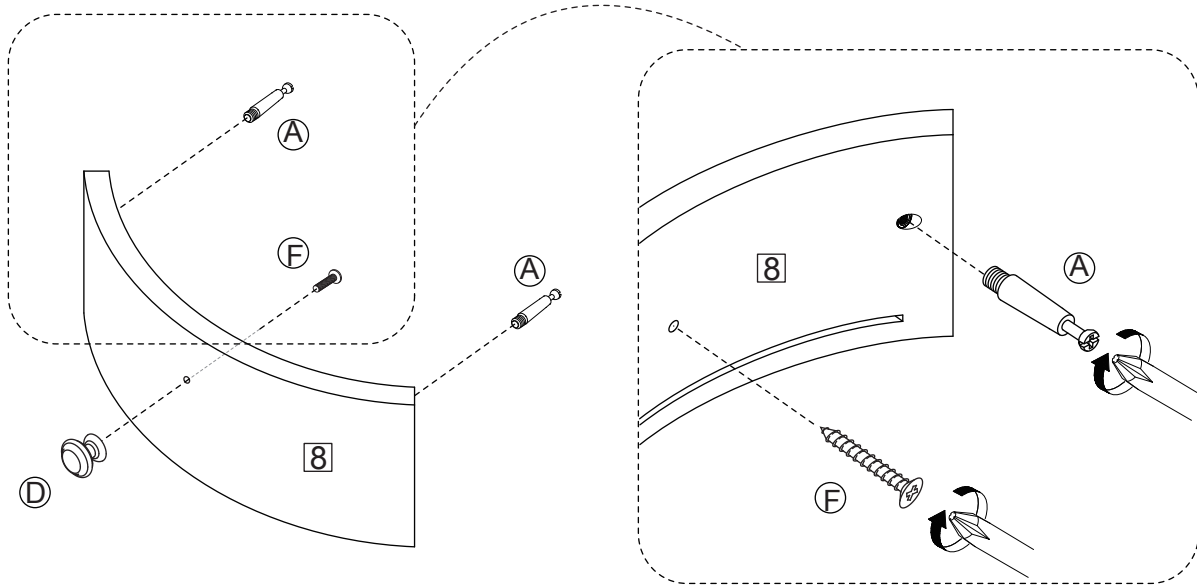
STEP 8



Assembly Instructions

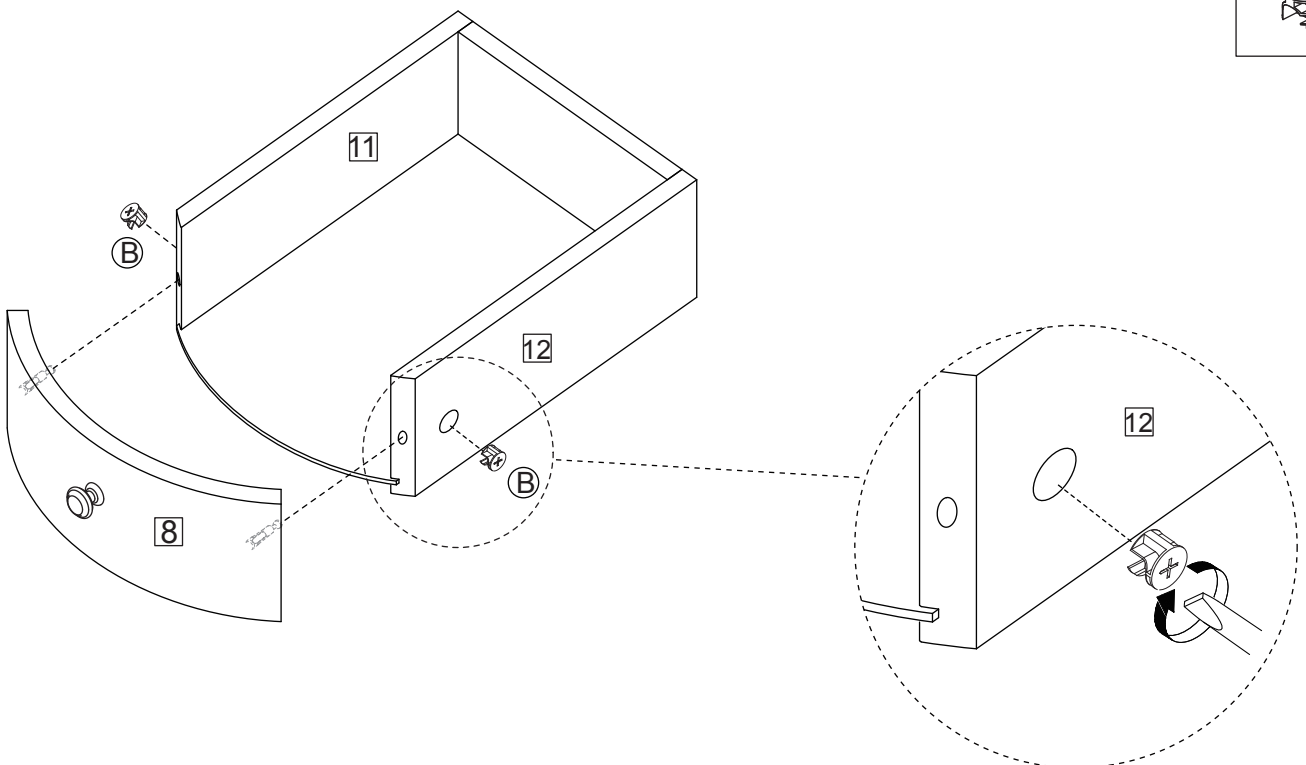
STEP 9

(A) x 2pc	(D) x 1pc	(F) x 1pc
		
		Ø 4 x 25mm



STEP 10

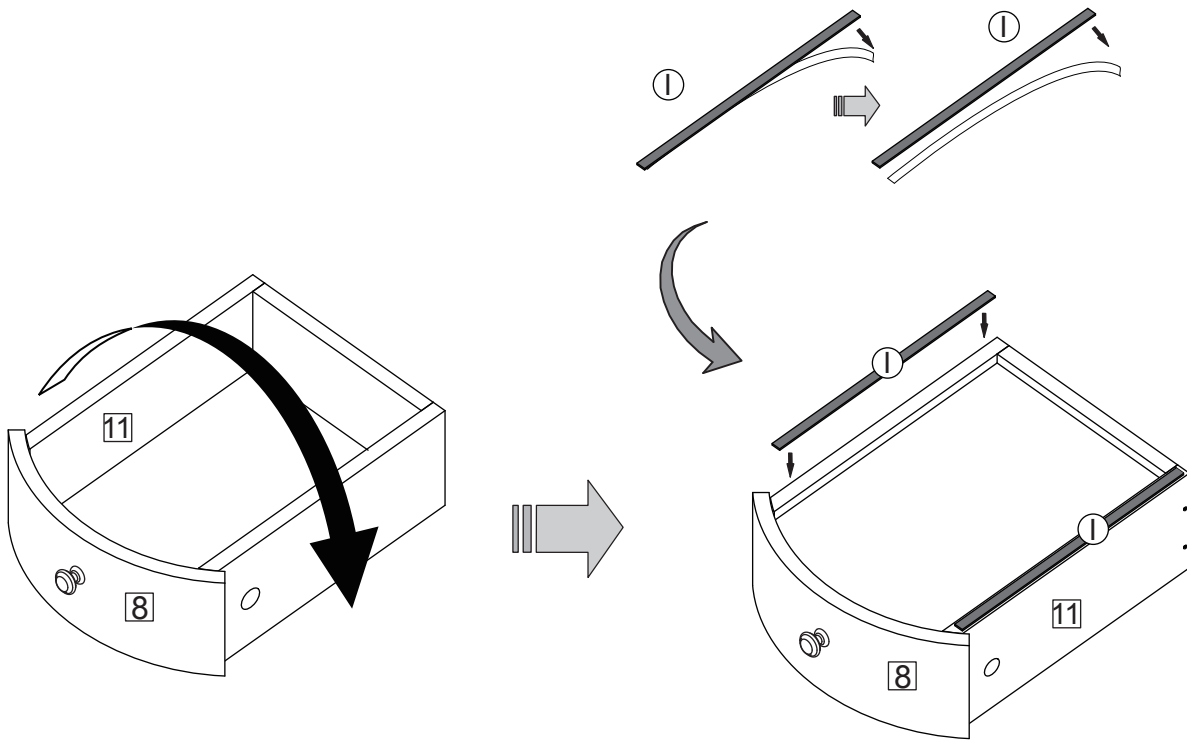
(B) x 2pc



Assembly Instructions

STEP 11

① x 2pc



STEP 12

Ⓜ x 1pc

