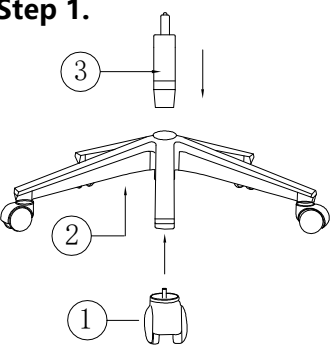
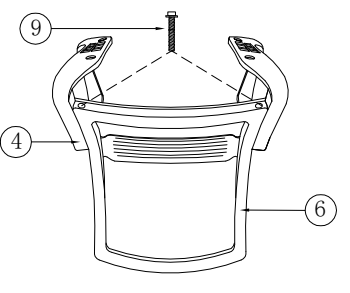
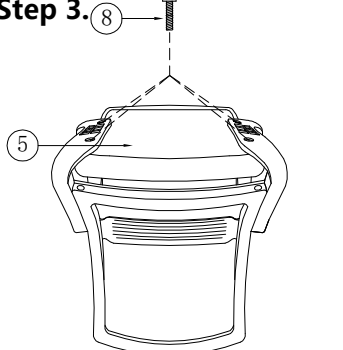

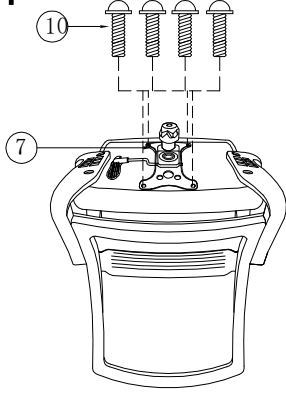
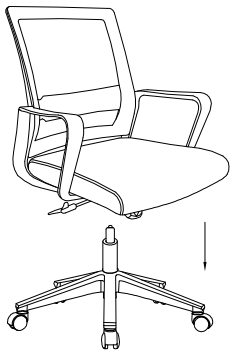


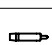

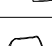



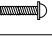

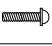
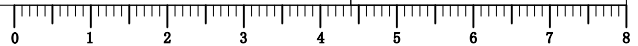
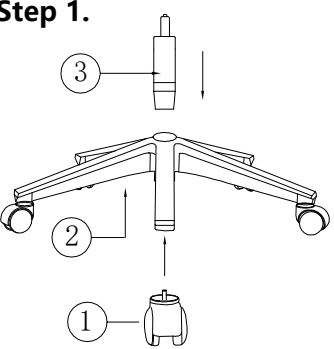
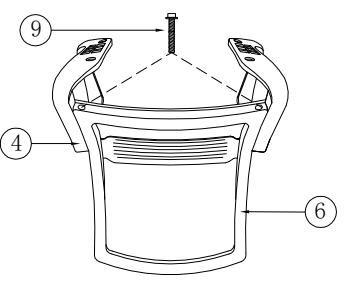
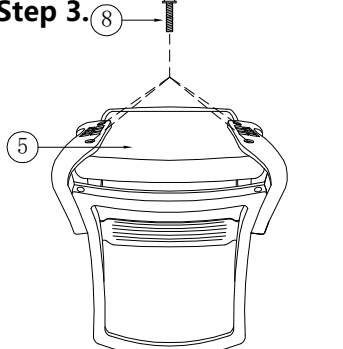

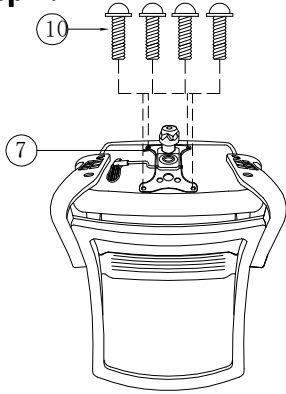
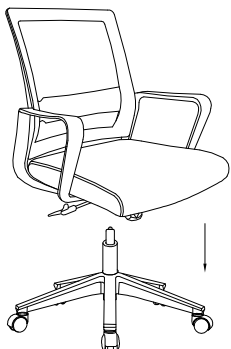








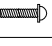
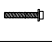



CAUTION	1. This package contains small parts, For adult assembly only. 2. Each bolts and screws must be tightened during assembly by inner hexagon spanner.)		(No.)	(Parts)	(Size)	(Number)
Step 1. 	Step 2. 	Step 3. 	1			5PCS
Step 4. 	Step 5. 	OK 	2			1PCS
			3			1PCS
			4			1SET
			5			1PCS
			6			1PCS
			7			1PCS
			8		M6*30mm	4PCS
			9		M6*30mm	2PCS
			10		M6*20mm	4PCS
			11		M5	1PCS

Note: each screws of has a spare configuration.



CAUTION	1. This package contains small parts, For adult assembly only. 2. Each bolts and screws must be tightened during assembly by inner hexagon spanner.)		(No.)	(Parts)	(Size)	(Number)
Step 1. 	Step 2. 	Step 3. 	1			5PCS
Step 4. 	Step 5. 	OK 	2			1PCS
			3			1PCS
			4			1SET
			5			1PCS
			6			1PCS
			7			1PCS
			8		M6*30mm	4PCS
			9		M6*30mm	2PCS
			10		M6*20mm	4PCS
			11		M5	1PCS

Note: each screws of has a spare configuration.

