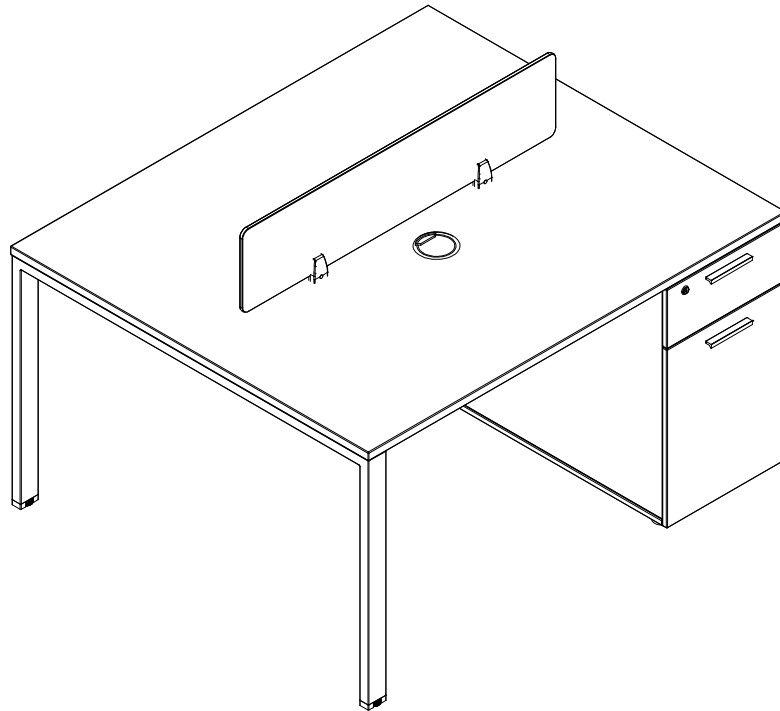


DG05-D0412 2 Seaters Workstations

ASSEMBLY INSTRUCTION

Thanks for purchasing one of our products, please read carefully the assembly instructions before the installation (Attention: Do not tighten the screws before all screws are in place).



	Model No.	Dimension	Package Qty
DG05-00412 2 Seaters Workstations	DG05-D0412	1200W*1200D*750H	3

120 MINS

**2 PERSONS
ASSEMBLY**

General Care:

-Keep your furniture from direct sunlight-Use desk pads and coasters to protect the surface from dents, scratches, and moisture from hot or cold liquids.

Cleaning:

-For cleaning, wipe the surface with a damp (not wet) cloth or with a clean and dry lint.

IMPORTANT - Please Read These Instructions Carefully Before Assembly.

Keep children and animals away from the work area, small parts could cause choking if swallowed.

Assemble the item as close to its intended position (in the same room) as possible.

Assemble on a soft level surface to avoid damage.

Remove all fittings from the plastic bags and separate them into their groups.

Check you have all the components and tools listed. Make sure you have enough space to layout the parts before assembly.

Do not stand or put weight on the product, which could cause damage.

Additional Tool required is screw-driver.



Dispose of all packaging carefully and responsibly.

Parts of the assembly will be easier with 2 people.

Every few months, check that there are no loose fittings on this unit.

This product should not be discarded with household waste. Take to your local authority waste disposal center.

How to use safely

Spilt liquids should be blotted rather than wiped off. This should be done immediately using a soft cloth after a spillage has occurred, then wipe it clean and dry it as stated above. It's important to carry out this procedure to prevent liquids penetrating the surface as this could cause a separation and/or splitting of the surface material.

Furniture tops may be damaged by hot plates, wet cups and objects with sharp or hard surfaces. It is recommended to use place mats.

Furniture should only be used in accordance with its structure and intended purpose of use. For your safety, the furniture should not be used as the replacement of a ladder, steps or hanger, etc.

If some parts are missing or damaged, stop using the furniture until they are replaced with the original replacements.

Doors, drawers, and shelves should not be unnecessarily left open (pulled out) as it can endanger the safety of users, especially children.

The Furniture should be placed at least 1 meter from active heat sources such as radiators and heaters. They should be used in rooms that are dry, closed and protected against the effect of atmospheric conditions including the effect of direct sunlight. Too dry or damp air may cause deformities to some parts of the furniture. Avoid placing the furniture on damp surface.

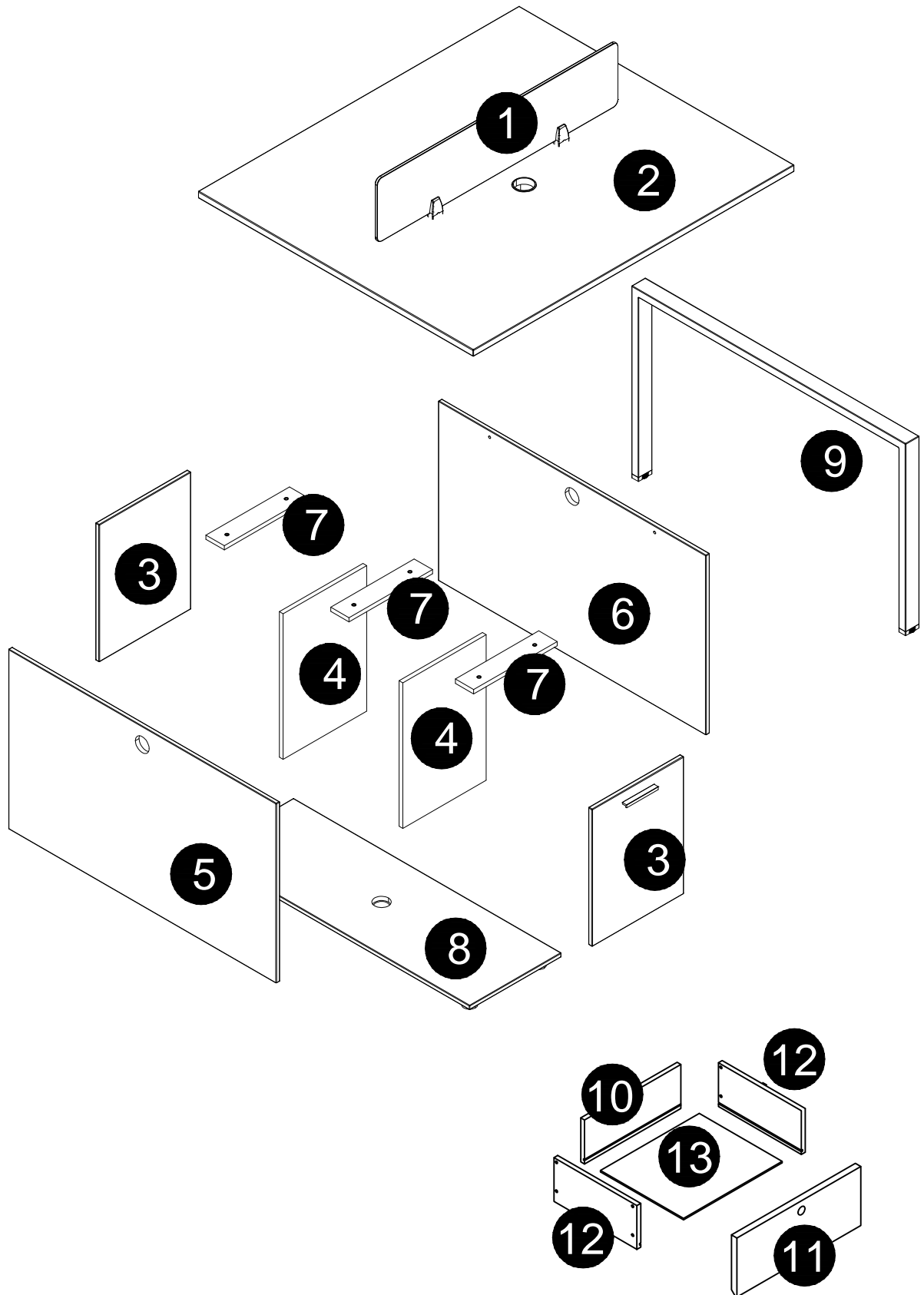
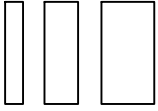
Stop using them in case of easing (unscrewing) of screws, bolts or nuts.

Please Keep this for Future Reference!

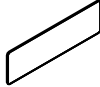

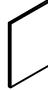
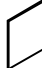



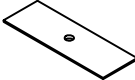
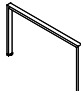
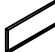
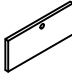

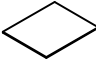
PRODUCT CHECK

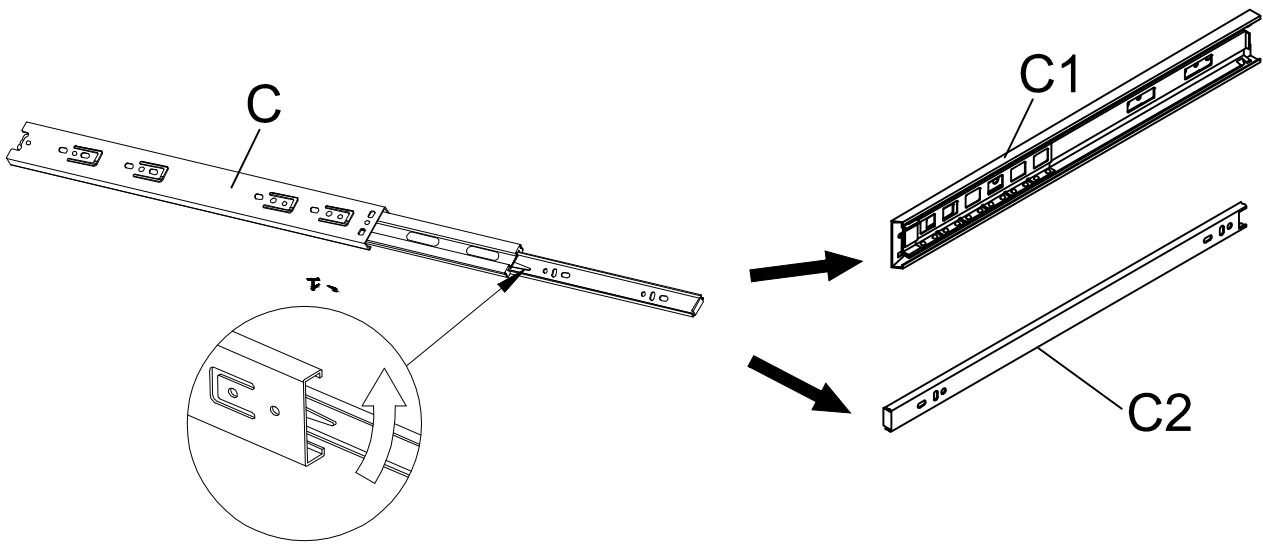
Upon receiving the furniture, please check product size, carton quantity.

The DG05-00412M 2 Seaters Workstations should be packaged in 3 cartons. The shipping mark to be show on 1 of 3, 2 of 3 and 3 of 3.

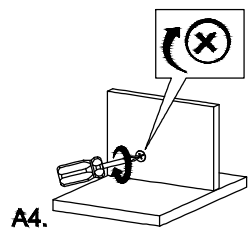
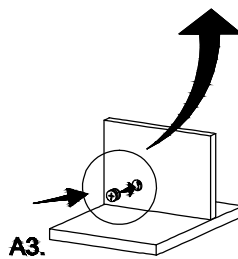
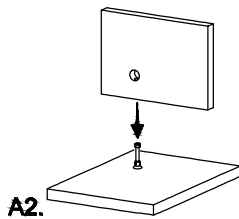
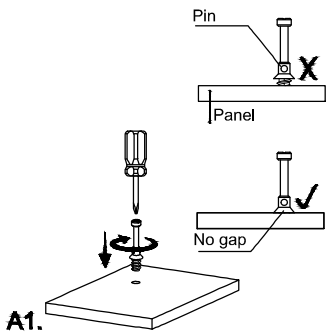
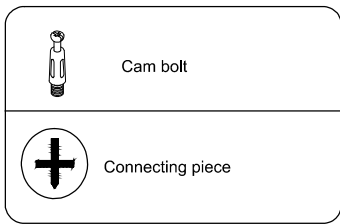


■ Parts list

NO.	Dimension	QTY	Drawing
①	1050*280*9	1	
②	1200*1200*25	1	
③	400*519*16	2	
④	400*364*16	2	
⑤	1164*679*16	1	
⑥	1164*679*16	1	
⑦	364*80*16	3	
⑧	1164*400*16	1	
⑨	1195*725*60	1	
⑩	308*100*16	2	
⑪	400*170*25	2	
⑫	370*100*16	4	
⑬	315*363*4	2	

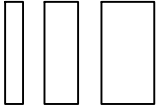


CAM BOLT INSTALLATION AS BELOW:



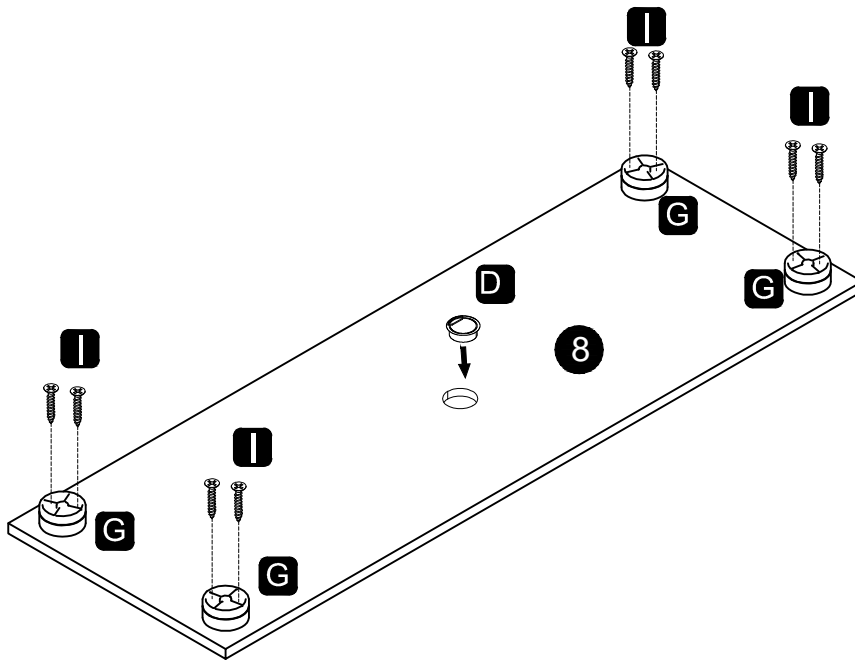
Warm Notice:

Left and right storage can be exchanged before assembly. Pls ensure the direction of storage before installation.



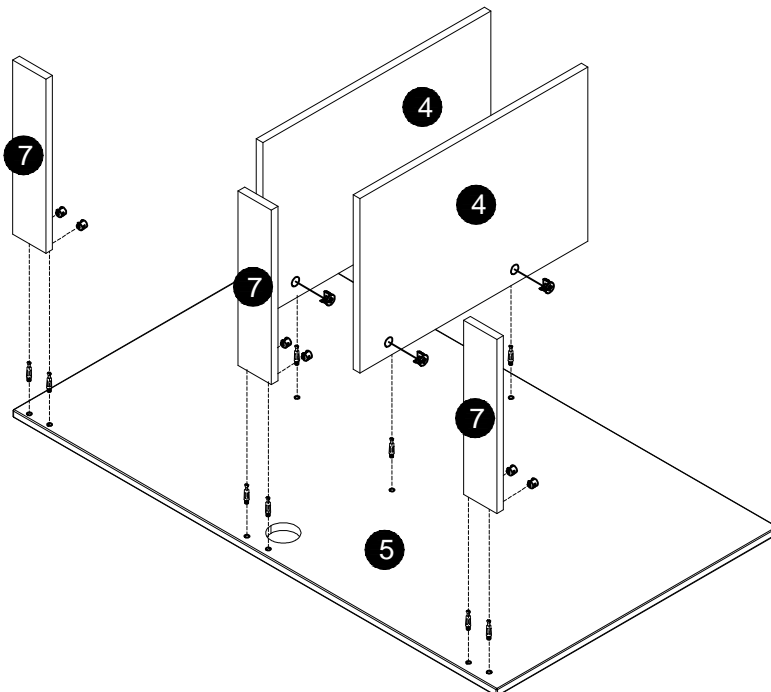
■ Assembly Steps

1

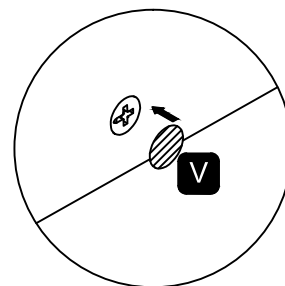
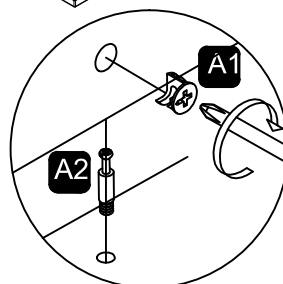


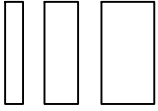
■ SCREWS	
I	4*16
G	
D	

2



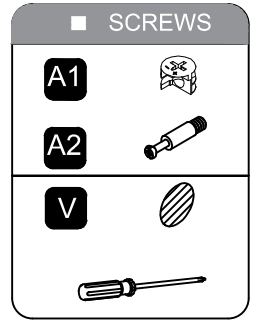
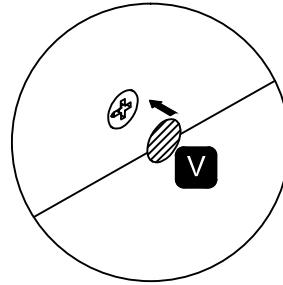
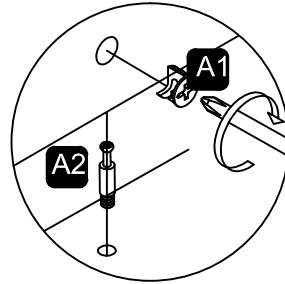
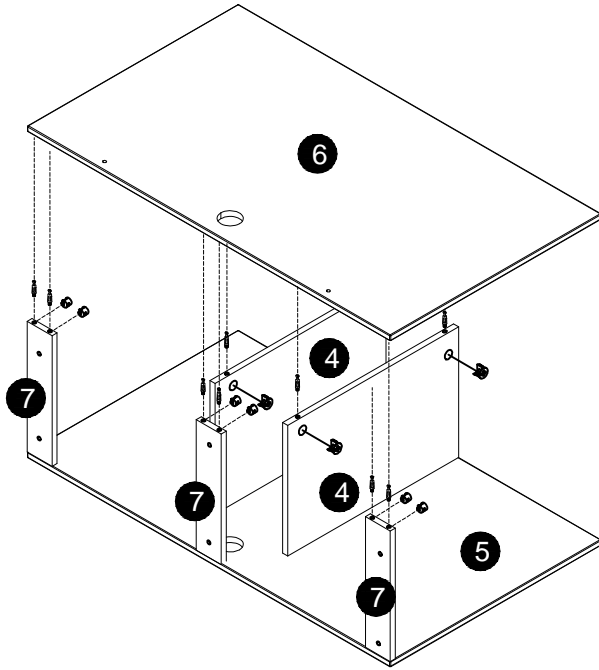
■ SCREWS	
A1	
A2	
V	



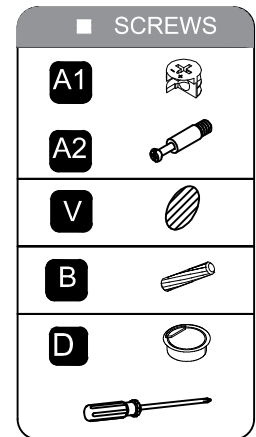
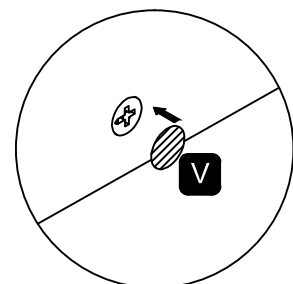
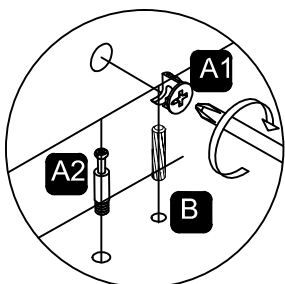
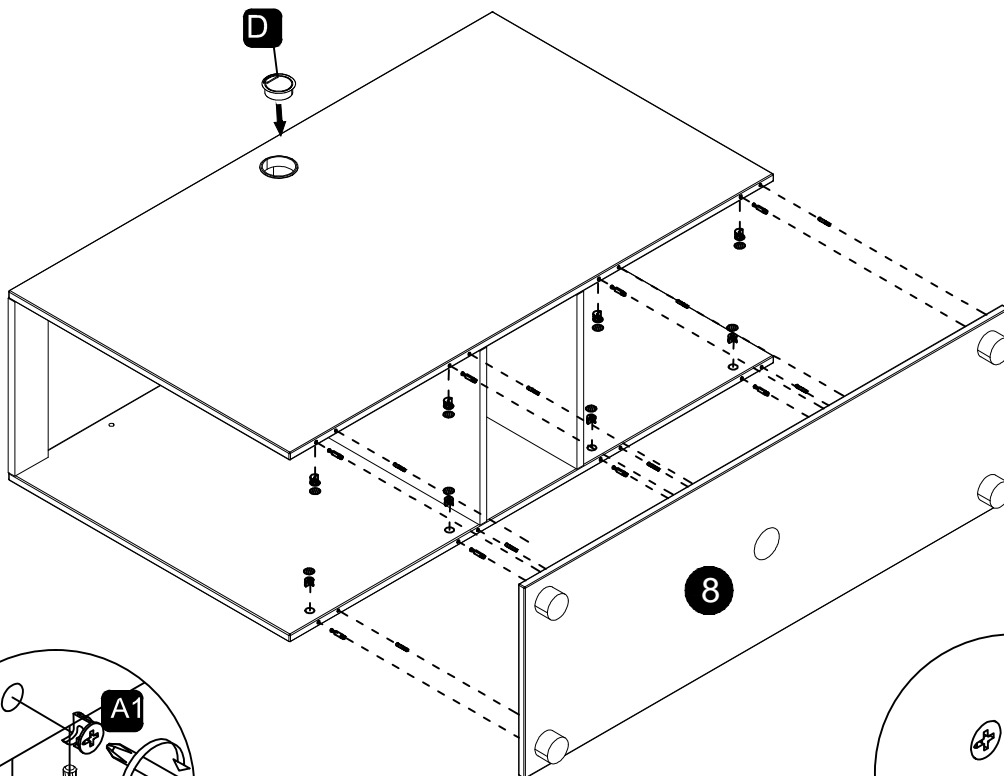


■ Assembly Steps

3

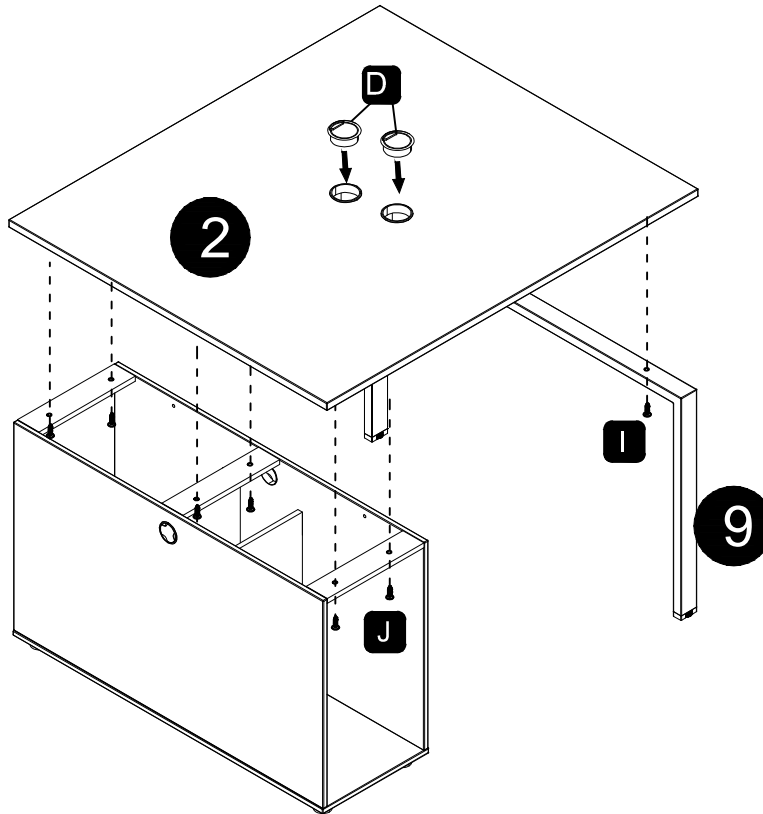


4



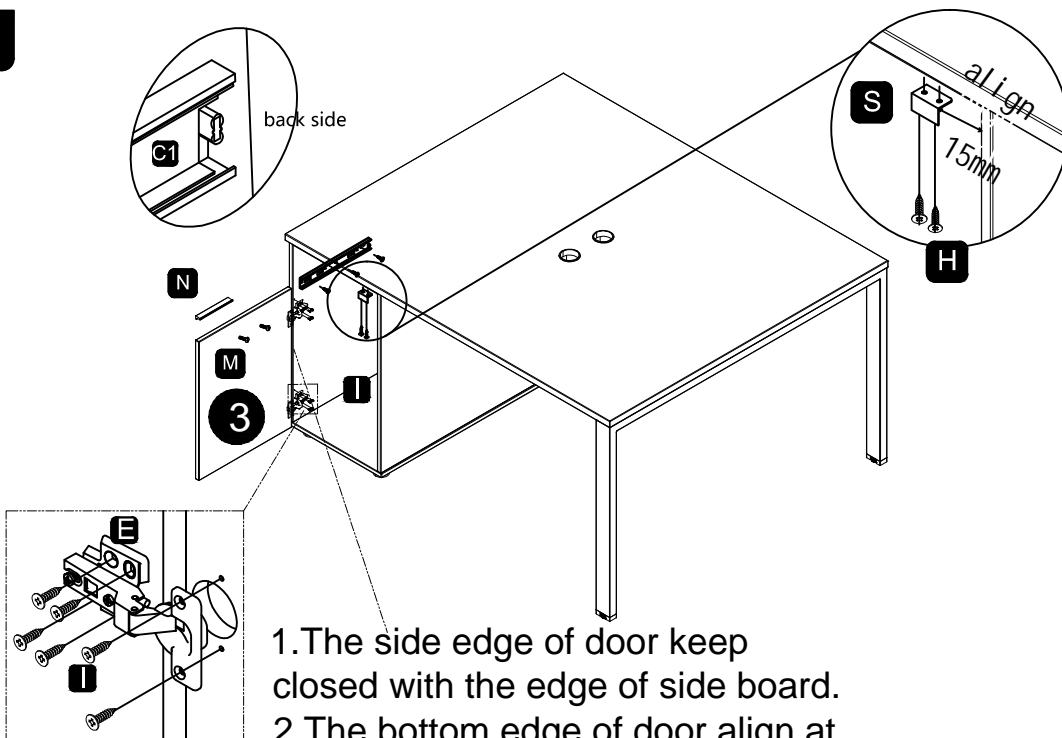
■ Assembly Steps

5



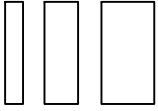
SCREWS	
J	4*30
I	4*16
D	

6



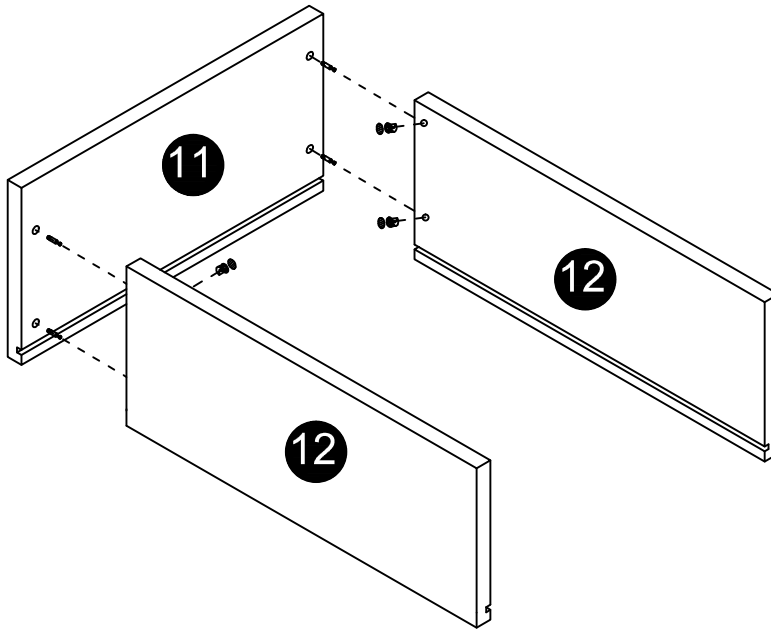
SCREWS	
E	
I	4*16
M	M4*20
C1	
N	
S	
H	3.5*12

1. The side edge of door keep closed with the edge of side board.
2. The bottom edge of door align at the bottom edge of side board.



■ Assembly Steps

7

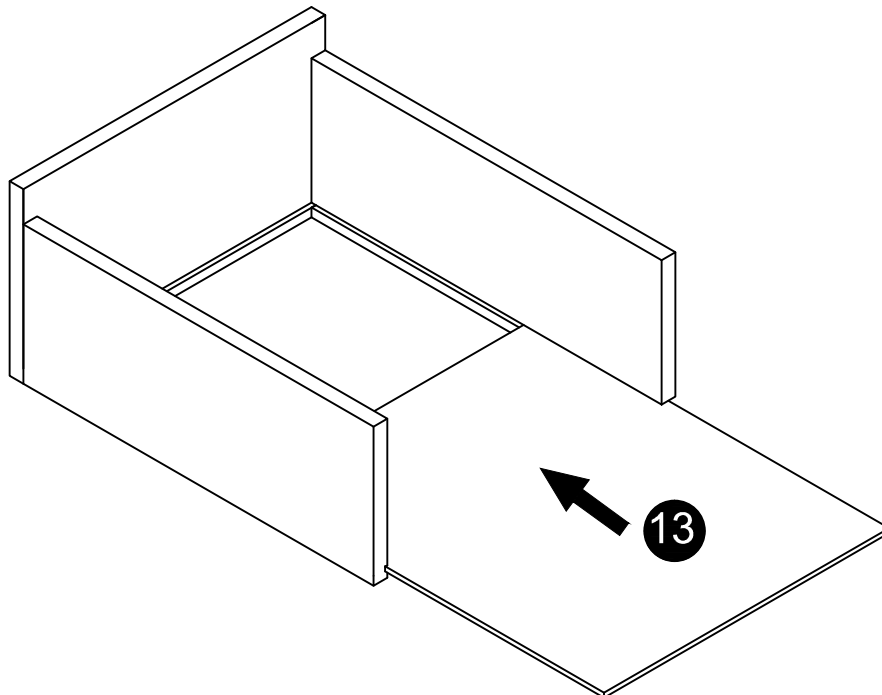


■ SCREWS

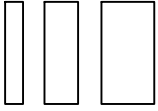
A1	
A2	
V	

X 2

8

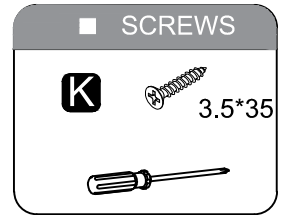
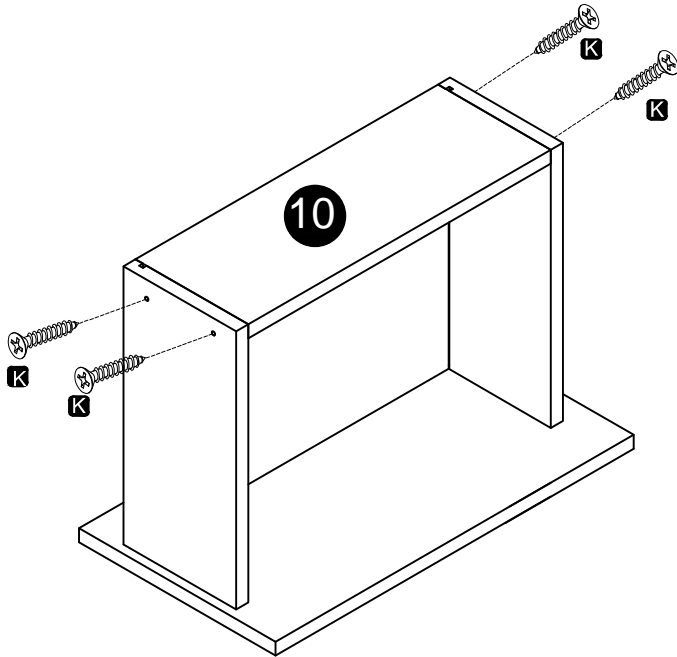


X 2



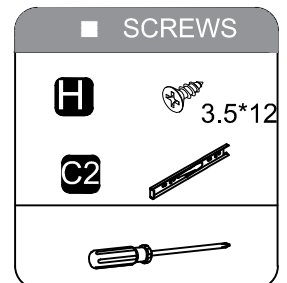
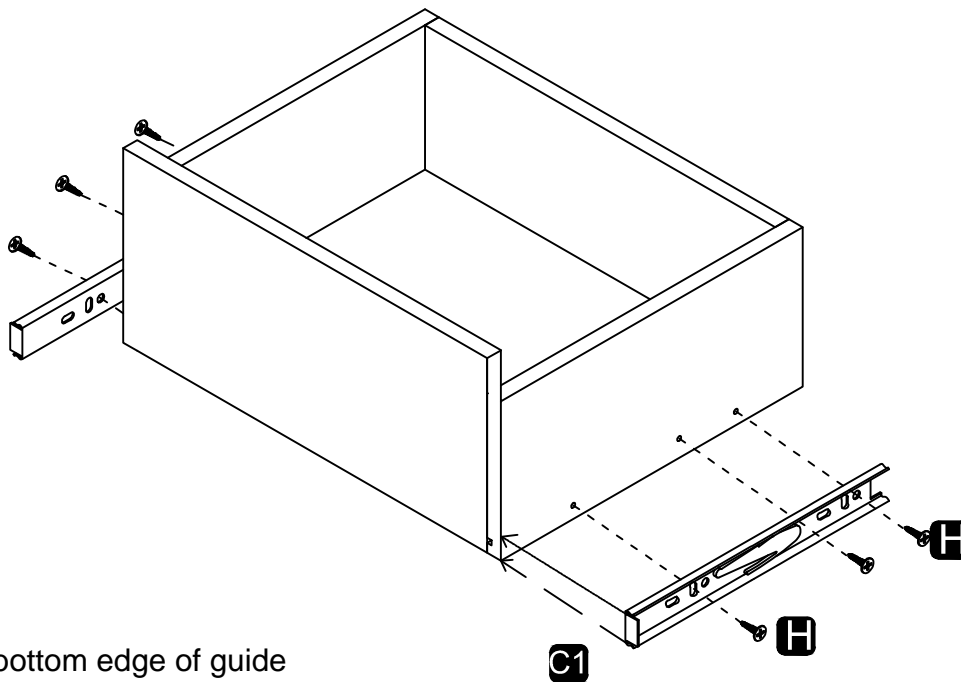
■ Assembly Steps

9



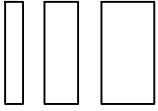
X 2

10



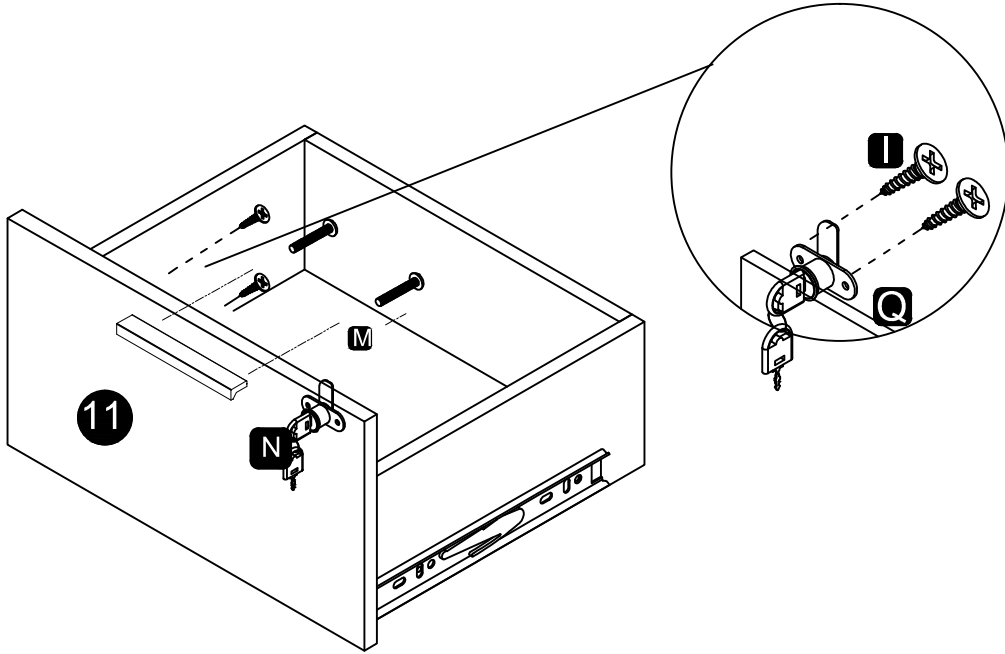
- 1.The bottom edge of guide rail should align at the bottom edge of the side board.
- 2.The end of the guide rail align at the frond board.

X 2



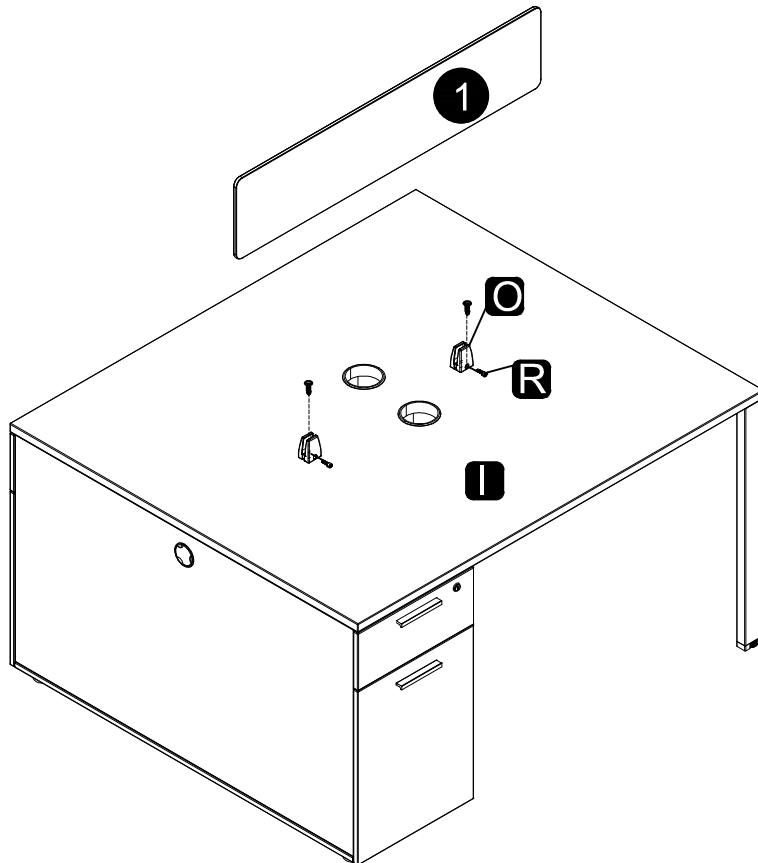
■ Assembly Steps

11

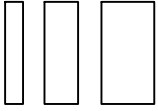


■ SCREWS	
I	4*16
Q	
M	M4*20
N	

12



■ SCREWS	
I	4*16
Q	
R	6*20

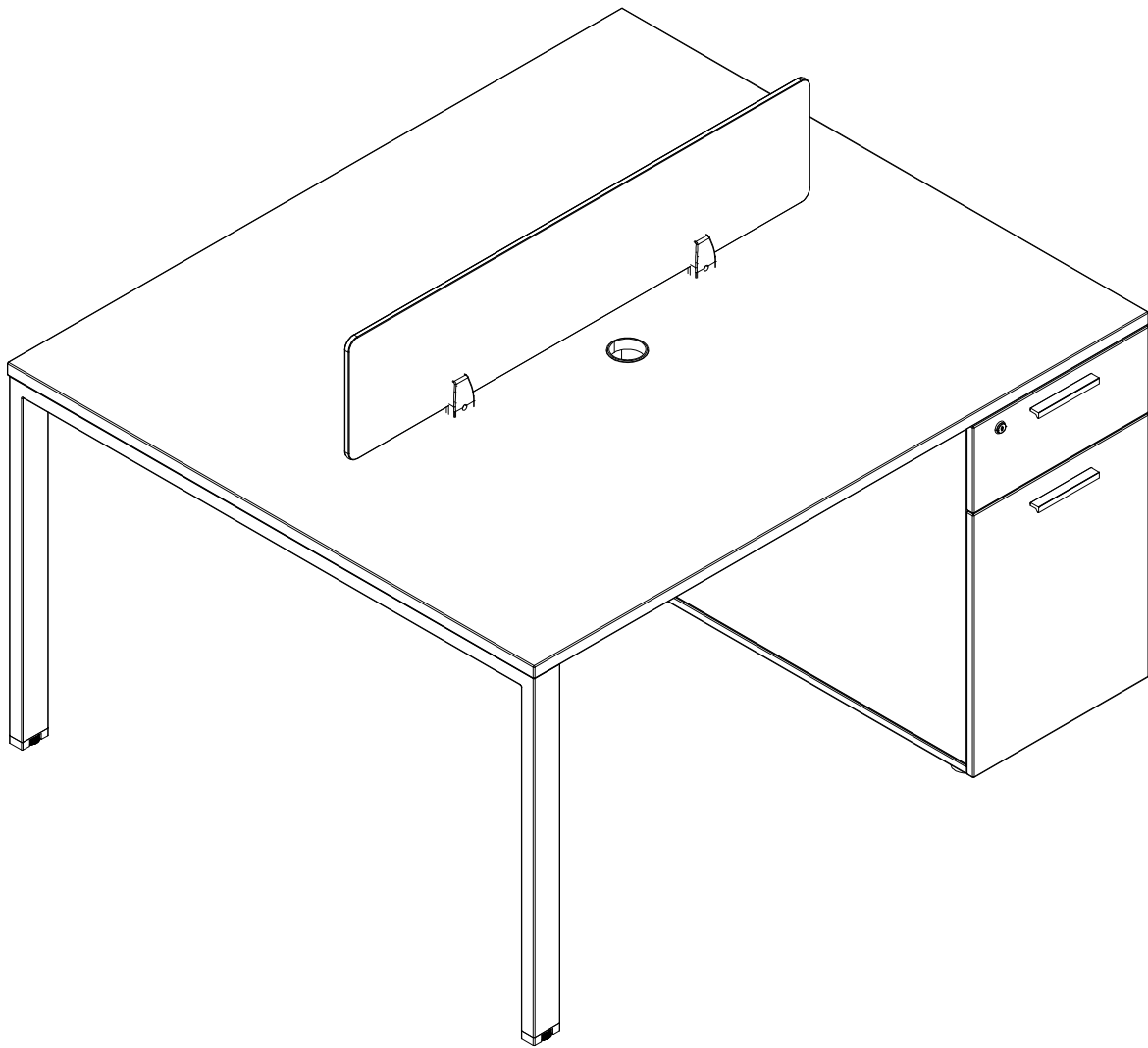


DG05-D0412

P.13

■ Assembly Steps

13



FINAL NOTE:

Do not drag the furniture as this may cause damage to the legs. Instead, ask at least 2 persons to lift carefully with caution from either end.

IMPORTANT: CARE GUIDE FOR YOUR MELAMINE BOARD FURNITURE

Please read up on important information regarding your furniture.

- Dust frequently with a clean damp, lint , free cloth.
- Avoid using chemicals or solvents when cleaning the furniture.
- Do not place hot objects on any furniture surface.
- Avoid exposing your furniture to strong sunlight.
- Do not expose your furniture to any liquids.
- Do not allow sharp or rough object scratch the surface of furniture.
- When moving furniture, do not drag it across the floor.