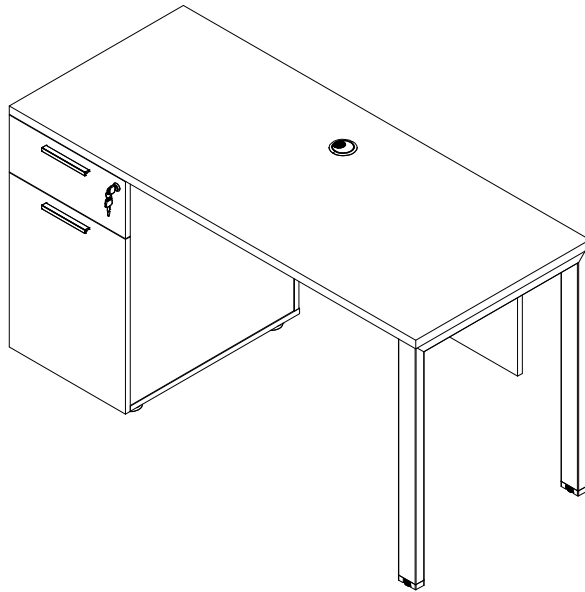


DG05-D0112M Single Desk

ASSEMBLY INSTRUCTION

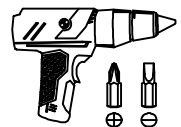
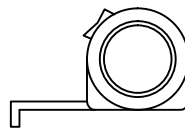
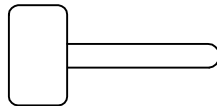
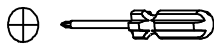
Thanks for purchasing one of our products, please read carefully the assembly instructions before the installation (Attention: Do not tighten the screws before all screws are in place).



DG05 Series Single Desk	Model No.	Dimension	Carton Qty
	DG05-D0112M	1200W*600D*750H	2

120 MINS

**2 PERSONS
ASSEMBLY**



IMPORTANT - Please Read These Instructions Carefully Before Assembly.

Keep children and animals away from the work area, small parts could cause choking if swallowed.

Assemble the item as close to its intended position (in the same room) as possible.

Assemble on a soft level surface to avoid damage.

Remove all fittings from the plastic bags and separate them into their groups.

Check you have all the components and tools listed. Make sure you have enough space to layout the parts before assembly.

Do not stand or put weight on the product, which could cause damage.

Additional Tool required is screw-driver.



Dispose of all packaging carefully and responsibly.

Parts of the assembly will be easier with 2 people.

Every few months, check that there are no loose fittings on this unit.

This product should not be discarded with household waste. Take to your local authority waste disposal center.

How to use safely

Spilt liquids should be blotted rather than wiped off. This should be done immediately using a soft cloth after a spillage has occurred, then wipe it clean and dry it as stated above. It's important to carry out this procedure to prevent liquids penetrating the surface as this could cause a separation and/or splitting of the surface material.

Furniture tops may be damaged by hot plates, wet cups and objects with sharp or hard surfaces. It is recommended to use place mats.

Furniture should only be used in accordance with its structure and intended purpose of use. For your safety, the furniture should not be used as the replacement of a ladder, steps or hanger, etc.

If some parts are missing or damaged, stop using the furniture until they are replaced with the original replacements.

Doors, drawers, and shelves should not be unnecessarily left open (pulled out) as it can endanger the safety of users, especially children.

The Furniture should be placed at least 1 meter from active heat sources such as radiators and heaters. They should be used in rooms that are dry, closed and protected against the effect of atmospheric conditions including the effect of direct sunlight. Too dry or damp air may cause deformities to some parts of the furniture. Avoid placing the furniture on damp surface.

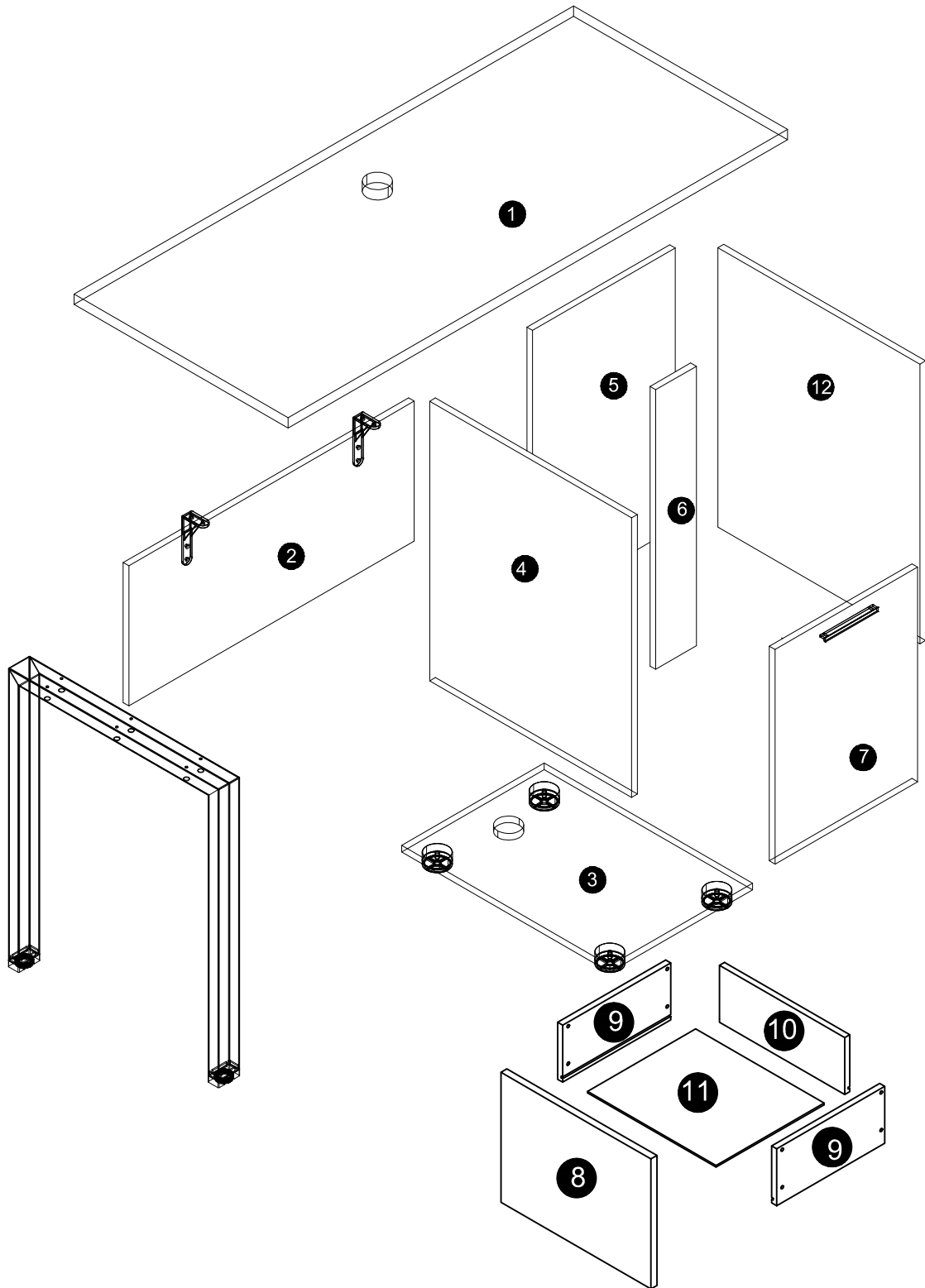
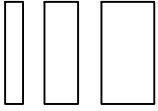
Stop using them in case of easing (unscrewing) of screws, bolts or nuts.

Please Keep this for Future Reference!

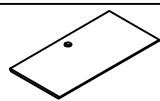
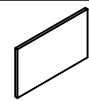
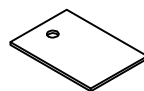
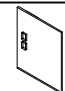


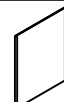
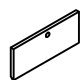


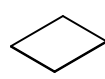

PRODUCT CHECK

Upon receiving the furniture, please check product size, carton quantity.



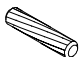
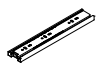








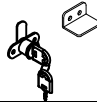

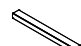





The DG05-D0112M Single Desk should be packaged in 2 cartons. The shipping mark to be show on 1 of 2 and 2 of 2 .

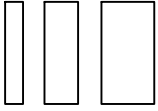


■ Parts list

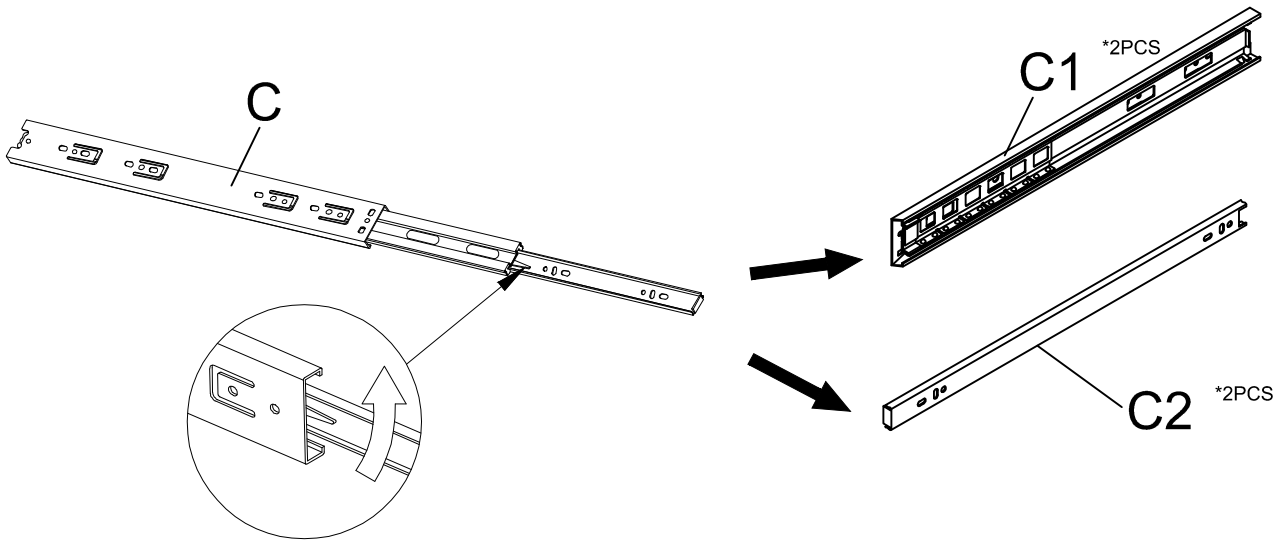
NO.	Dimension	QTY	Drawing
①	1200*600*25	1	
②	600*340*16	1	
③	582*400*16	1	
④	679*564*16	1	
⑤	679*396*16	1	
⑥	450*80*16	1	
⑦	519*400*16	1	
⑧	171*400*16	1	
⑨	100*400*16	2	
⑩	100*306*16	1	
⑪	315*395*4	1	
⑫	679*564*16	1	

■ Fixing List

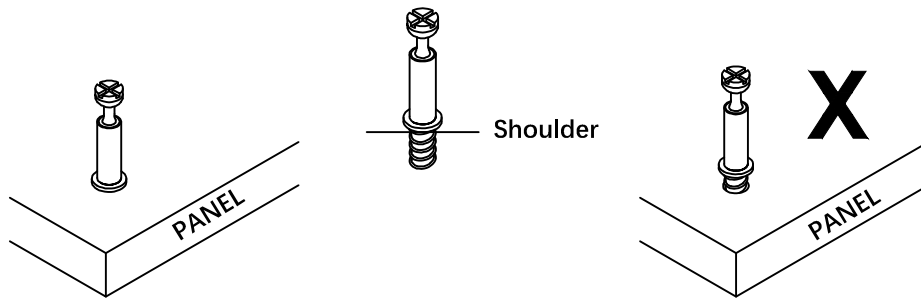
NO.	Description	Size(MM)		QTY	NO.	Description	Size(MM)		QTY
A1	Cam Lock	Ø15*11.5		18	A2	Cam bolt	Ø6*32		18
B	Wood dowel	Ø8*30		8	C		12"		1
D	Round wire case			2	E	Hinge			2
					G		Ø50*30H		4
H	Self tapping screw	3.5*12		14	I	Self tapping screw	4*16		30
J	Self tapping screw	4*20		4	K	Self tapping screw	3.5*35		4
L	Self tapping screw	5*20		8	M	Lock			1
N		M4*20		4	O	Handle			2
P		M6*20		4					
R		125*60*25		2	S				18
T				2	U		595*725*60		1



Tips before you start:

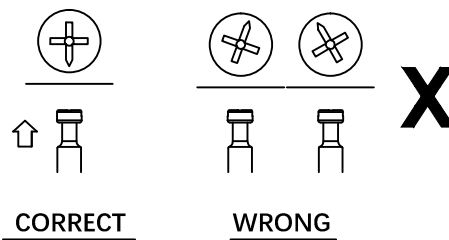


QUICKFIT



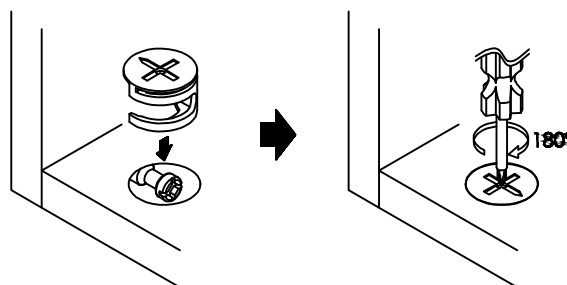
Tighten quickfit until shoulder is flush with panel. Do not overtighten or undertighten.

CAM LOCK

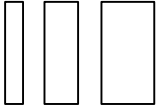


When fitting cam lock, ensure starting position is correct before you insert connecting quickfit.

Quickfit head should be in the centre of the camlock when the two panels are joined. Cam lock should be inserted before quickfit.

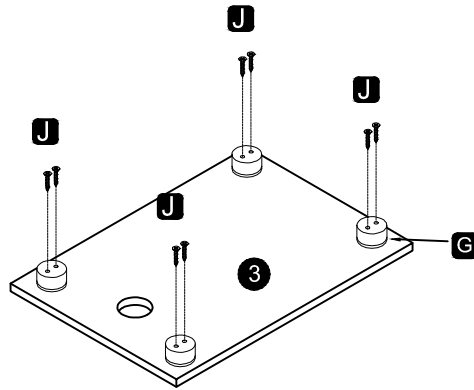




Turn camlock clockwise to tighten.



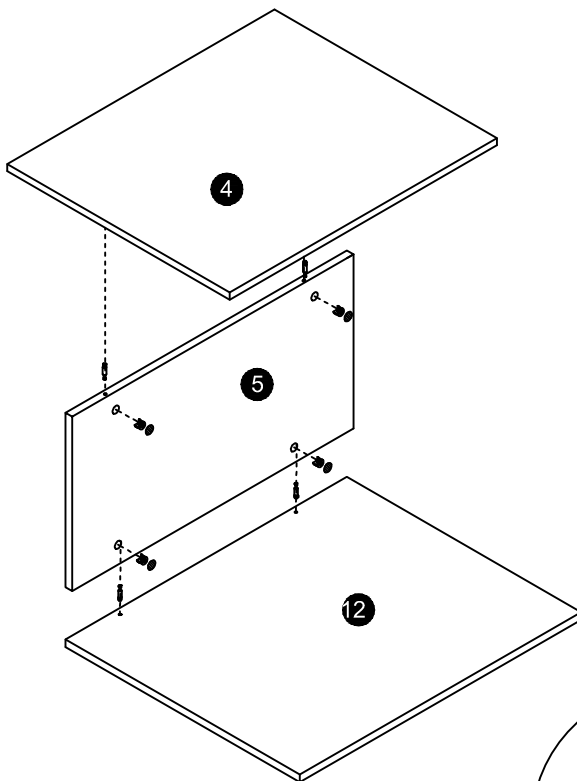
■ Assembly Steps




1

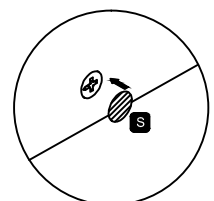
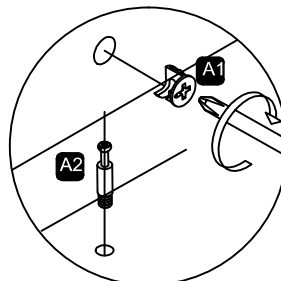


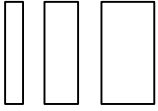
■ SCREWS	
J	4*20
	X 8
G	∅50*30H
	X 4

2



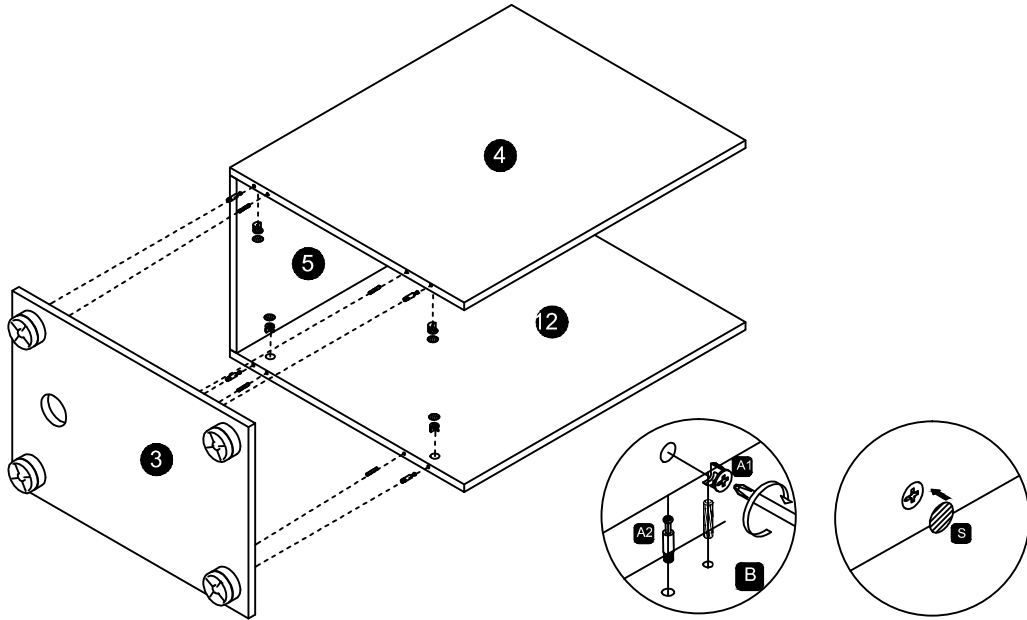
■ SCREWS	
A1	∅15*11.5
	X 4
A2	∅15*11.5
	X 4
S	
	X 4





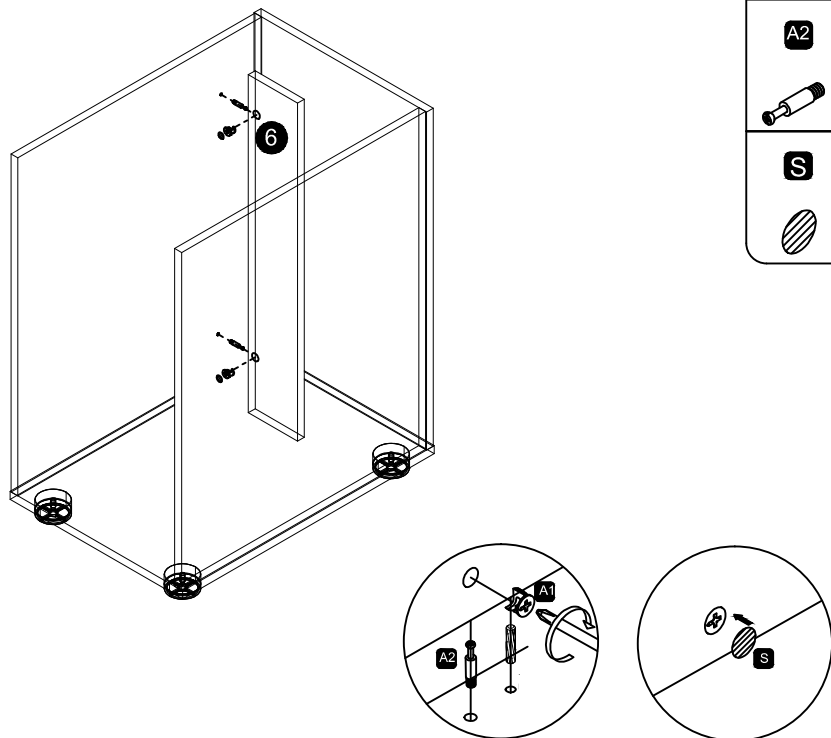
Assembly Steps

3

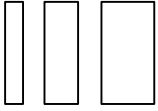


SCREWS	
A1	∅15*11.5
	X 4
A2	∅15*11.5
	X 4
B	∅8*30
	X 4
S	
	X 4

4

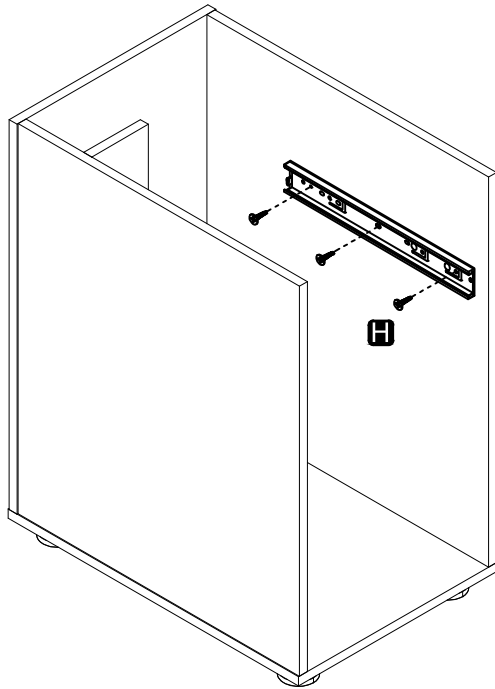




SCREWS	
A1	∅15*11.5
	X 2
A2	∅15*11.5
	X 2
S	
	X 2



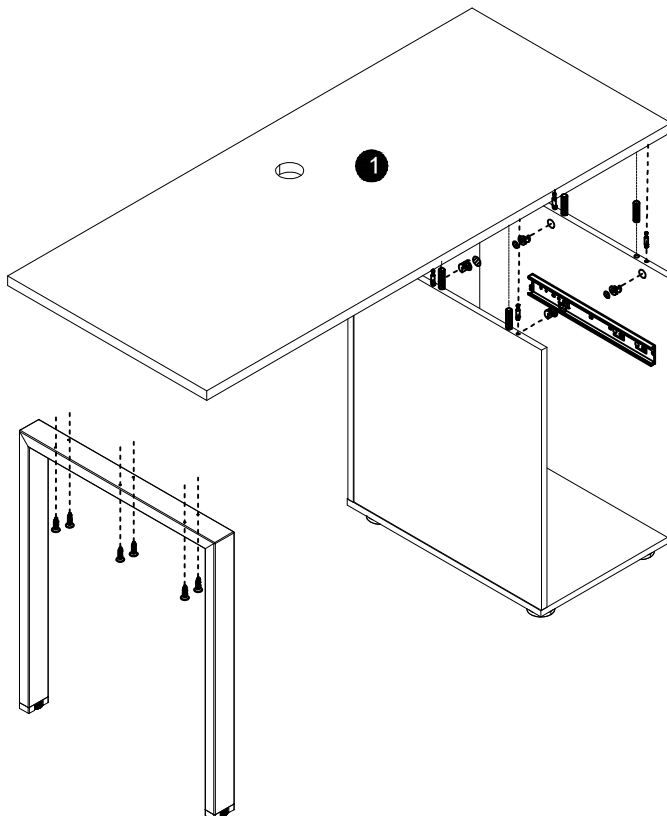
Assembly Steps






5

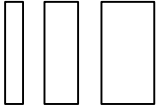


SCREWS	
H	3.5*12
	X 6
C1	12"
	X 2

6

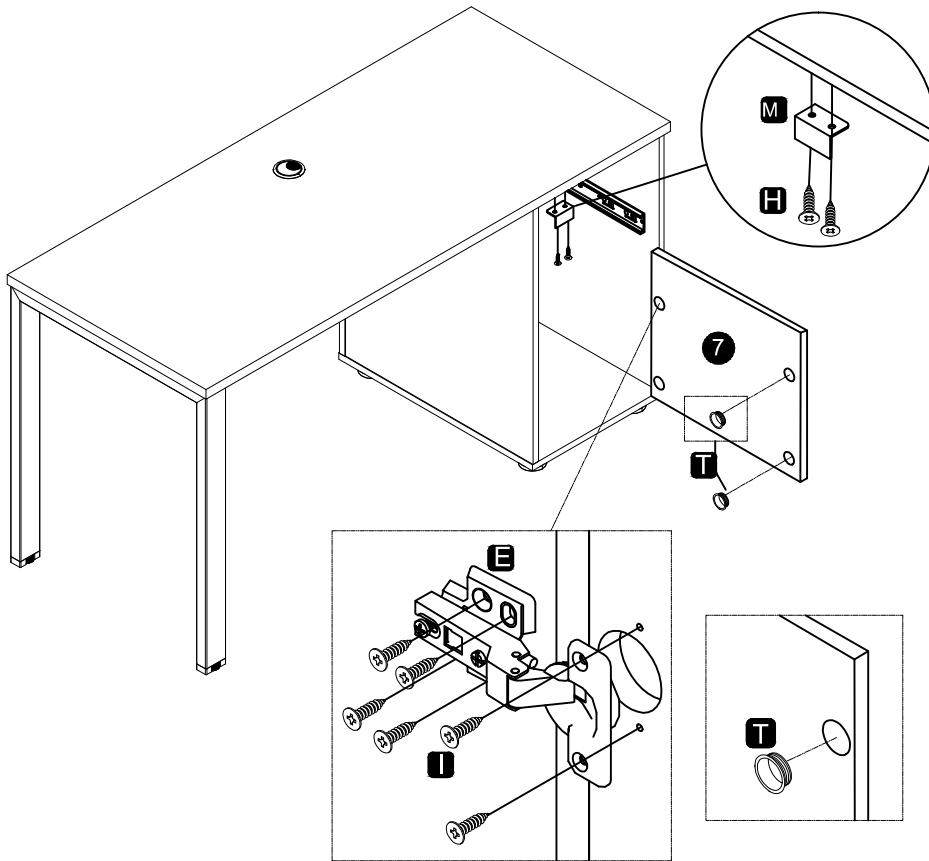







SCREWS	
A1	∅15*11.5
	X 4
A2	∅15*11.5
	X 4
B	∅8*30
	X 4
S	
	X 4
L	4*16
	X 6



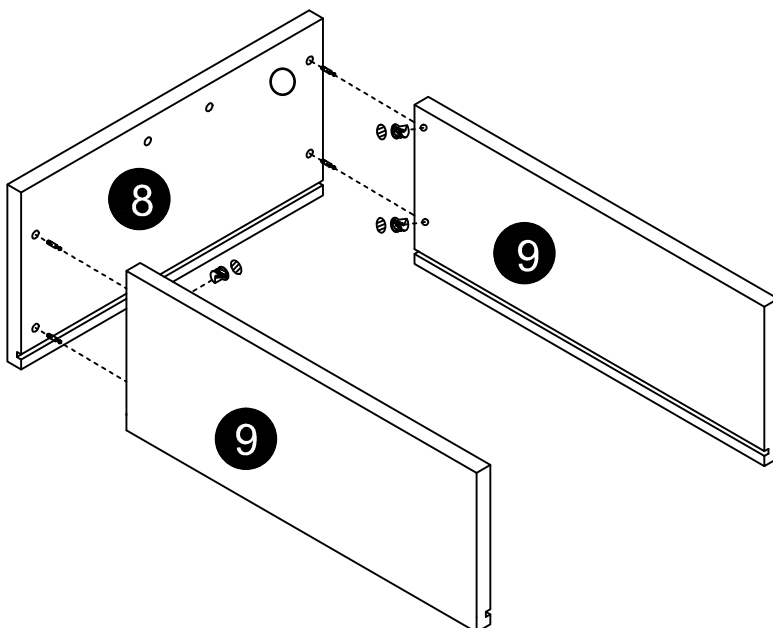
Assembly Steps




7

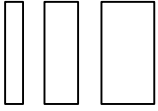


SCREWS	
E 	X 2
I 	4*16 X 12
H 	3.5*12 X 2
M 	X 1
T 	X 2

8

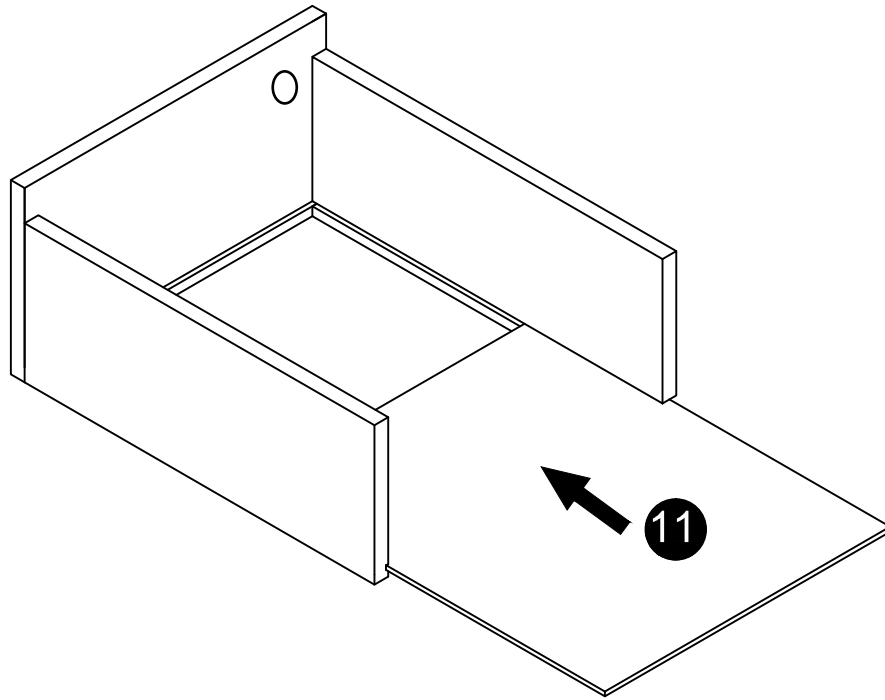


SCREWS	
A1 	∅15*11.5 X 4
A2 	∅15*11.5 X 4
S 	X 4

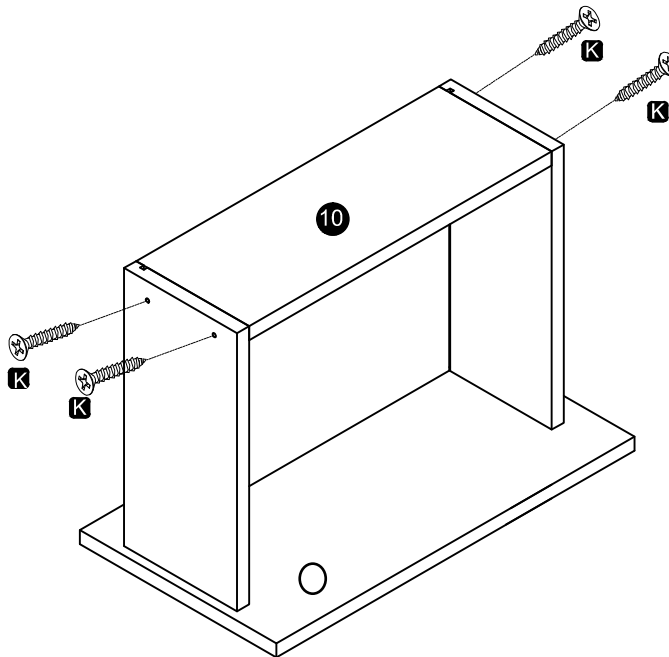




■ Assembly Steps

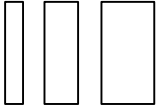
9



10

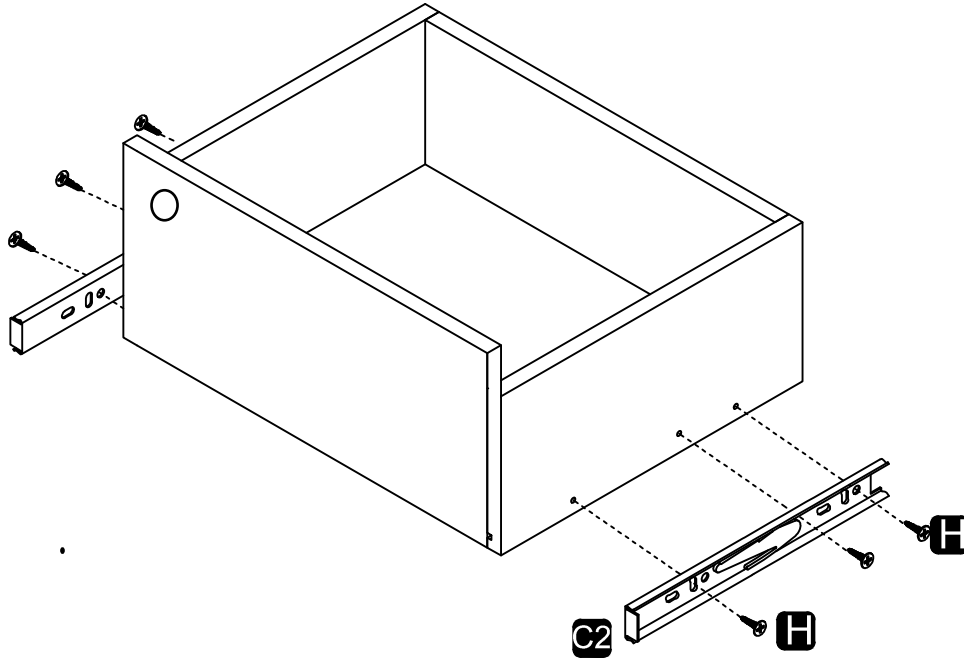


■ SCREWS	
	3.5*35
	X 4



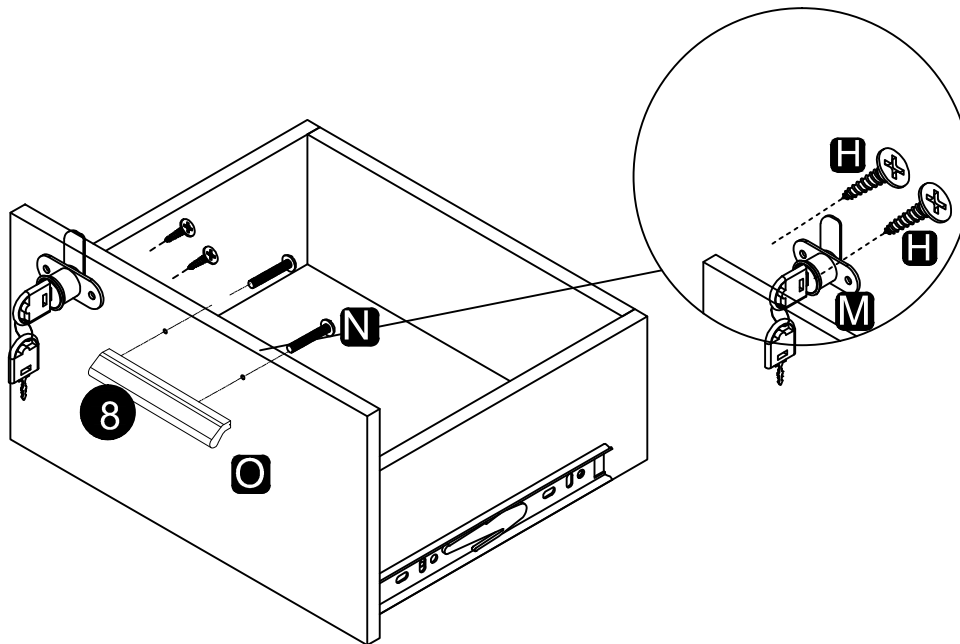
■ Assembly Steps

11

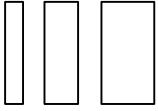


■ SCREWS	
	3.5*12
	X 6
	X 2

12



■ SCREWS	
	X 1
	M4*20
	X 2
	3.5*12
	X 2
	X 1

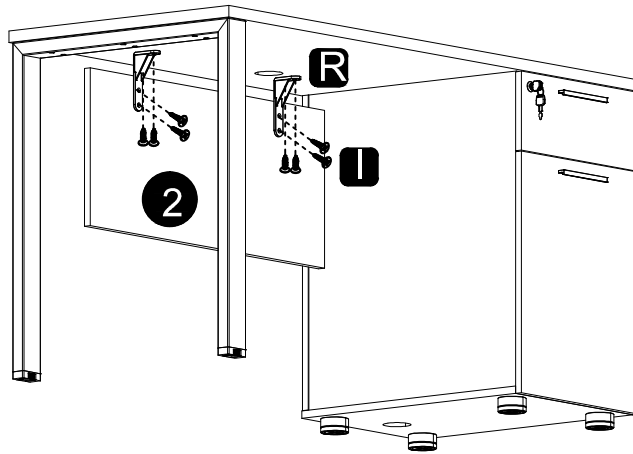


DG05-D0112M

P.13

■ Assembly Steps

13



■ SCREWS

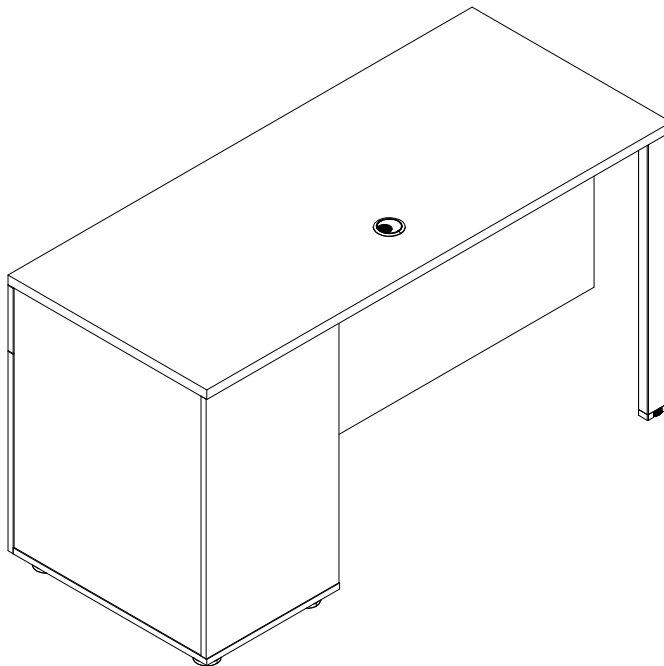
I 4*16

 X 8

R 125*60*25

 X 2

14



FINAL NOTE:

Do not drag the furniture as this may cause damage to the legs. Instead, ask at least 2 persons to lift carefully with caution from either end.

IMPORTANT: CARE GUIDE FOR YOUR MELAMINE BOARD FURNITURE

Please read up on important information regarding your furniture.

- Dust frequently with a clean damp, lint , free cloth.
- Avoid using chemicals or solvents when cleaning the furniture.
- Do not place hot objects on any furniture surface.
- Avoid exposing your furniture to strong sunlight.
- Do not expose your furniture to any liquids.
- Do not allow sharp or rough object scratch the surface of furniture.
- When moving furniture, do not drag it across the floor.