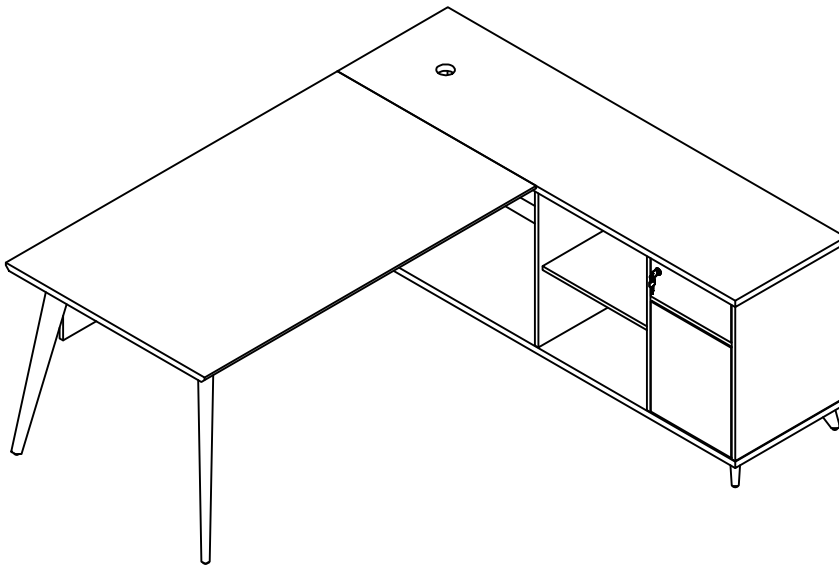


DG01-D0114LQ Executive Desk

ASSEMBLY INSTRUCTION

Thanks for purchasing one of our products, please read carefully the assembly instructions before the installation (Attention: Do not tighten the screws before all screws are in place).



Paris Series Executive Desk	Model No.	Dimension	Package Qty
	DG01-D0114LQ	1400W*1400D*750H	4

120 MINS

**2 PERSONS
ASSEMBLY**

General Care:

-Keep your furniture from direct sunlight-Use desk pads and coasters to protect the surface from dents, scratches, and moisture from hot or cold liquids.

Cleaning:

-For cleaning, wipe the surface with a damp (not wet) cloth or with a clean and dry lint.

IMPORTANT - Please Read These Instructions Carefully Before Assembly.

Keep children and animals away from the work area, small parts could cause choking if swallowed.

Assemble the item as close to its intended position (in the same room) as possible.

Assemble on a soft level surface to avoid damage.

Remove all fittings from the plastic bags and separate them into their groups.

Check you have all the components and tools listed. Make sure you have enough space to layout the parts before assembly.

Do not stand or put weight on the product, which could cause damage.

Additional Tool required is screw-driver.



Dispose of all packaging carefully and responsibly.

Parts of the assembly will be easier with 2 people.

Every few months, check that there are no loose fittings on this unit.

This product should not be discarded with household waste. Take to your local authority waste disposal center.

How to use safely

Spilt liquids should be blotted rather than wiped off. This should be done immediately using a soft cloth after a spillage has occurred, then wipe it clean and dry it as stated above. It's important to carry out this procedure to prevent liquids penetrating the surface as this could cause a separation and/or splitting of the surface material.

Furniture tops may be damaged by hot plates, wet cups and objects with sharp or hard surfaces. It is recommended to use place mats.

Furniture should only be used in accordance with its structure and intended purpose of use. For your safety, the furniture should not be used as the replacement of a ladder, steps or hanger, etc. If some parts are missing or damaged, stop using the furniture until they are replaced with the original replacements.

Doors, drawers, and shelves should not be unnecessarily left open (pulled out) as it can endanger the safety of users, especially children.

The Furniture should be placed at least 1 meter from active heat sources such as radiators and heaters. They should be used in rooms that are dry, closed and protected against the effect of atmospheric conditions including the effect of direct sunlight. Too dry or damp air may cause deformities to some parts of the furniture. Avoid placing the furniture on damp surface.

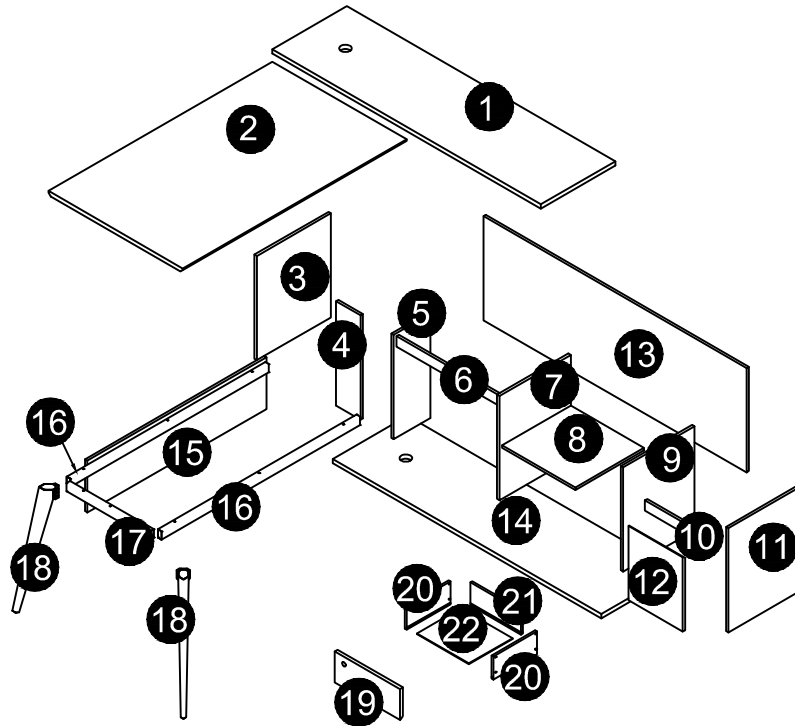
Stop using them in case of easing (unscrewing) of screws, bolts or nuts.

Please Keep this for Future Reference!

PRODUCT CHECK

Upon receiving the furniture, please check product size, carton quantity.

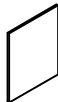

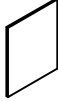
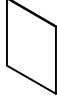


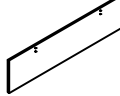
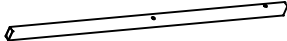
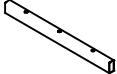

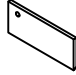


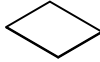
The Paris executive desk should be packaged in 4 cartons. The shipping mark to be show on 1 of 4, 2 of 4, 3 of 4 and 4 of 4





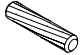

















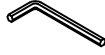


■ Parts list

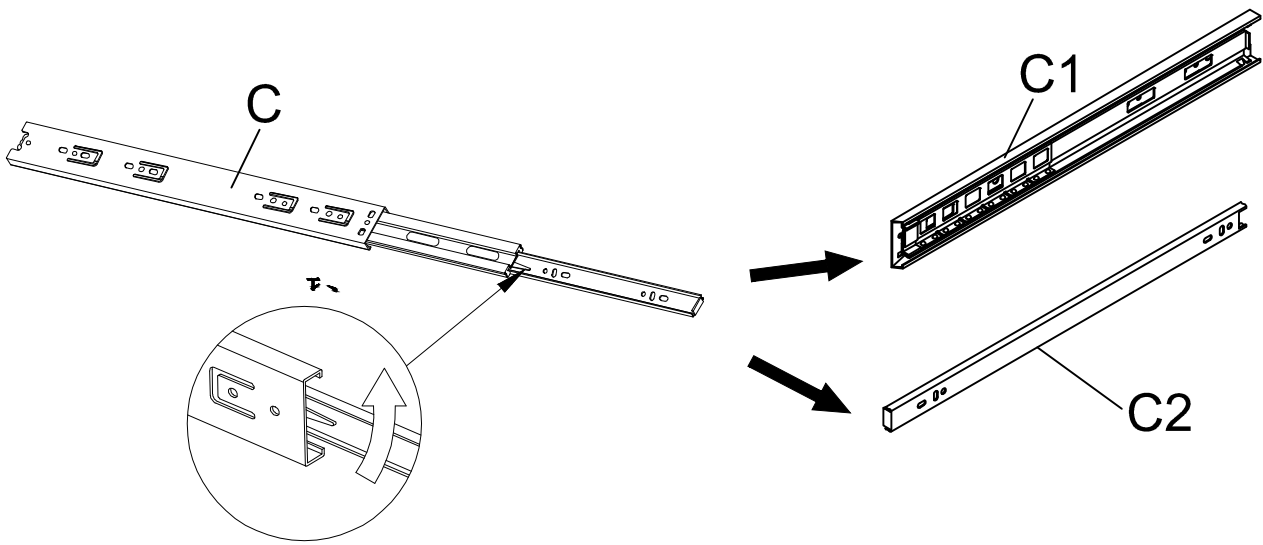
NO.	Dimension	QTY	Drawing
①	1400*400*25	1	
②	1000*700*25	1	
③	605*396*16	1	
④	605*200*16	1	
⑤	605*136*16	1	
⑥	358*60*25	1	
⑦	605*378*16	1	
⑧	388*260*16	1	

■ Parts list

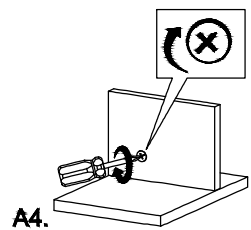
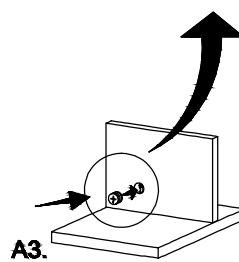
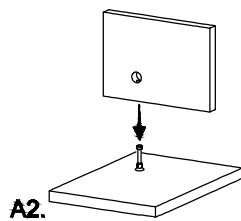
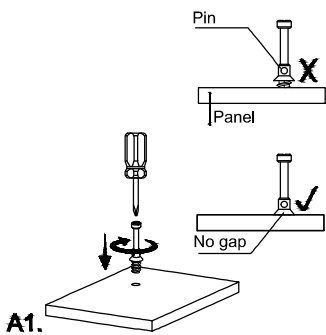
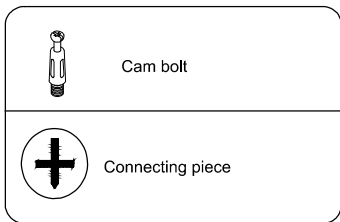
NO.	Dimension	QTY	Drawing
9	605*378*16	1	
10	368*60*16	1	
11	605*378*16	1	
12	364*431*16	1	
13	1364*605*16	1	
14	1400*500*25	1	
15		1	
16	830*50*25	2	
17	365*50*25	1	
18		1	
19	364*150*16	1	
20	350*80*16	2	
21	310*80*16	1	
22	320*327*4	1	

■ Fixing List

NO.	Description	Size(MM)		QTY	NO.	Description	Size(MM)		QTY
A1	Cam Lock	Ø15*11.5		40	A2	Cam bolt	Ø6*32		40
B	Wood dowel	Ø8*30		16	C		12"		2
D	Round wire case			2	E	Door hinge			2
F	Shelp pin			4	G	Legs			4
H	Self tapping screw	3.5*12		14	I	Self tapping screw	4*16		66
J	Self tapping screw	4*30		4	K	Self tapping screw	3.5*35		8
L	Lock sheet			1	M	Lock			1
N				16					
P				4	Q				2
R				2	S				2
T				8	U				1
V				40	W				2

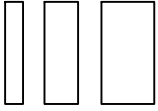


CAM BOLT INSTALLATION AS BELOW:



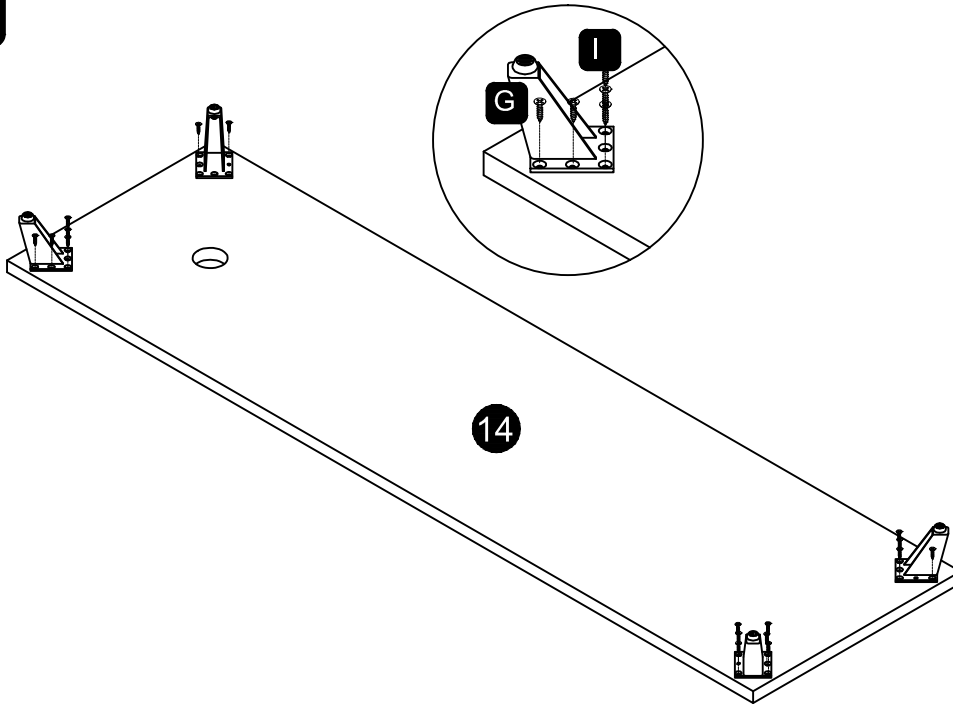
Warm Notice:

Left and right side return can be exchanged before assembly. Pls ensure the direction of side return before installation.



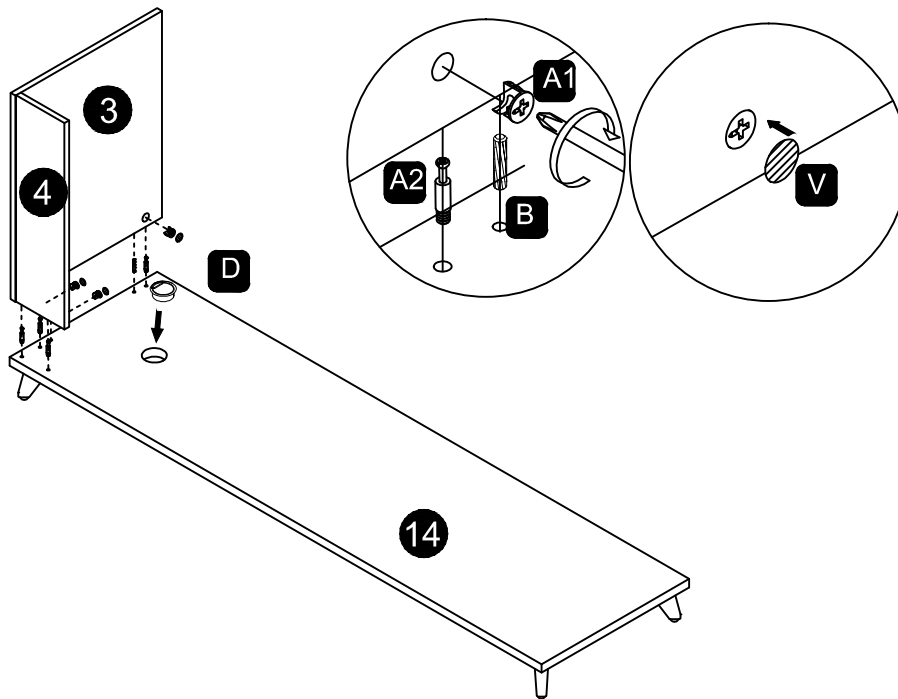
■ Assembly Steps

1



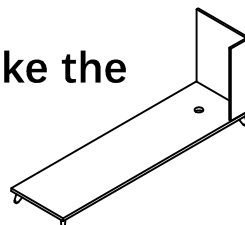
■ SCREWS	
G	
	X 4
I	∅4*16
	X 28

2



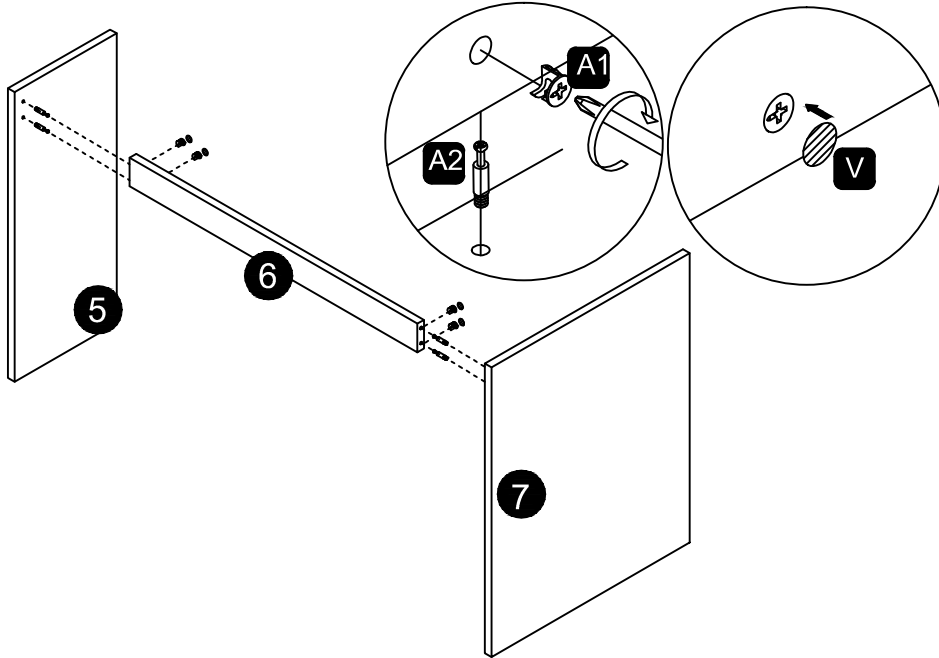
■ SCREWS	
A1	∅15*11.5
	X 4
A2	∅15*11.5
	X 4
B	∅8*30
	X 2
D	
V	
	X 4

The following installation steps take the right installation as an example



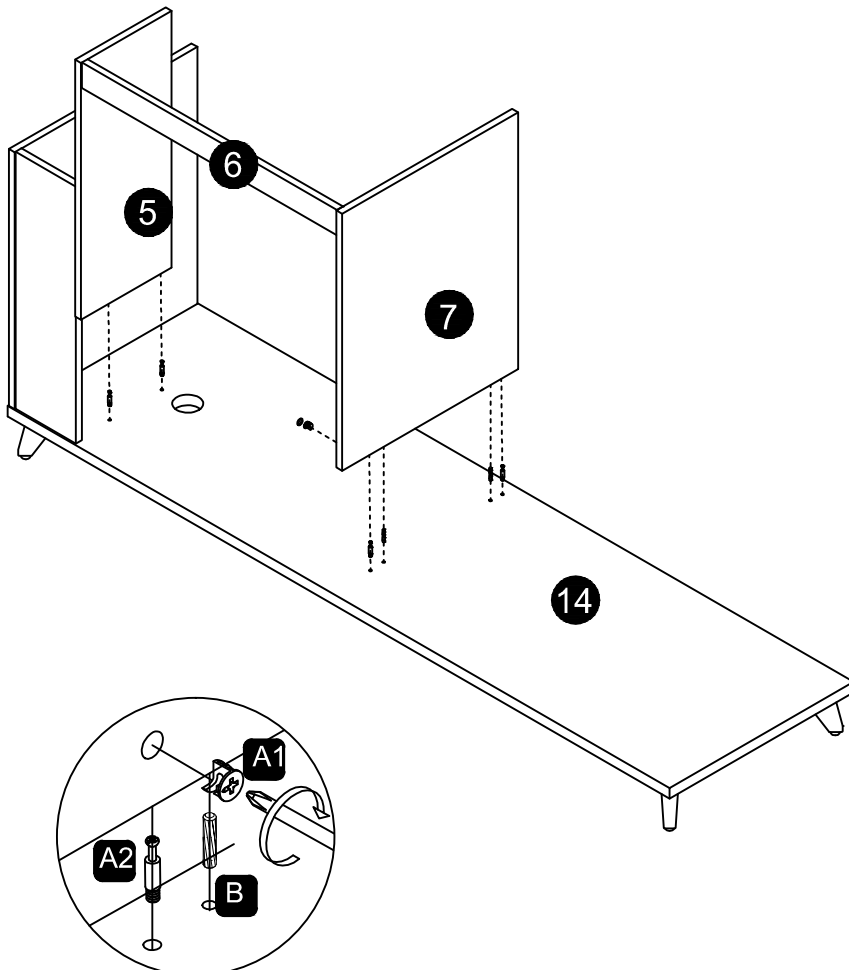
■ Assembly Steps

3

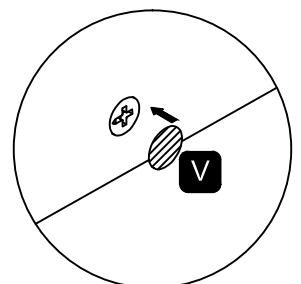


SCREWS	
A1	∅15*11.5
	X 4
A2	∅15*11.5
	X 4
V	
	X 4

4

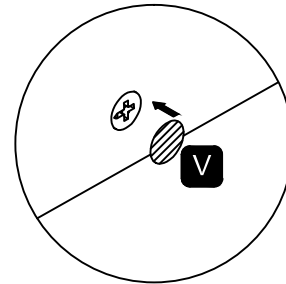
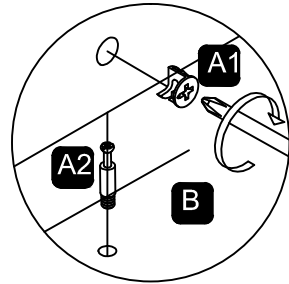
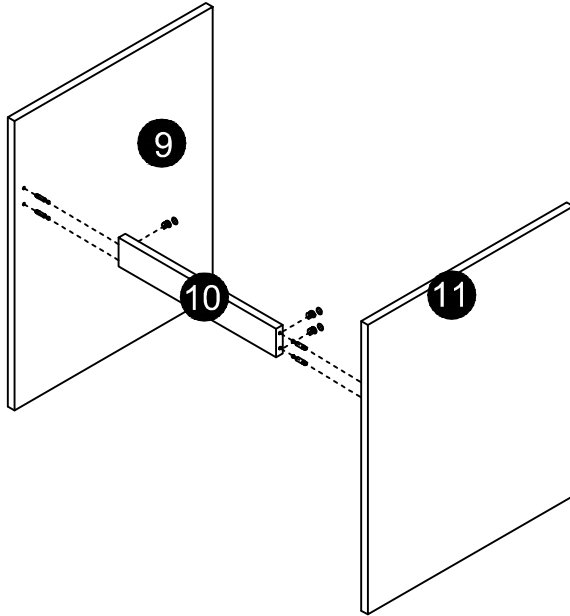


SCREWS	
A1	∅15*11.5
	X 4
A2	∅15*11.5
	X 4
B	∅8*30
	X 4
V	
	X 4



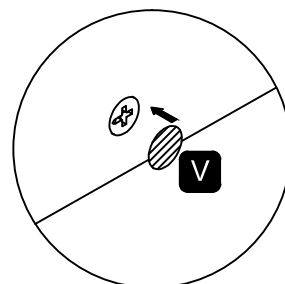
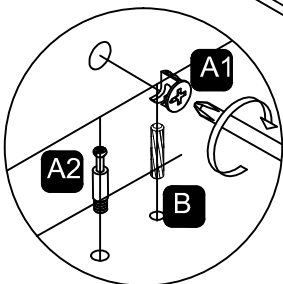
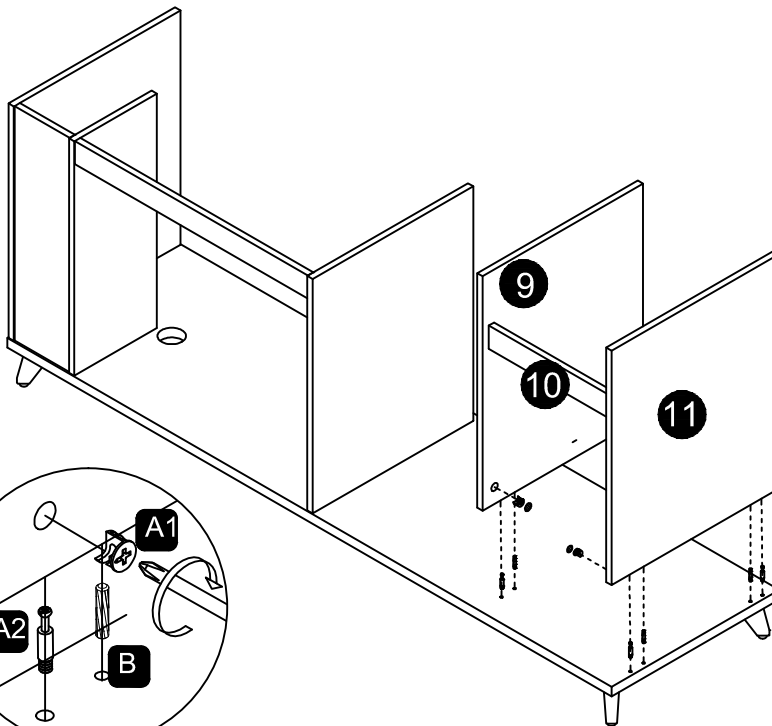
■ Assembly Steps

5

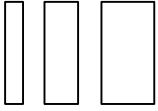


SCREWS	
A1	∅15*11.5
	X 4
A2	∅15*11.5
	X 4
V	
	X 4

6

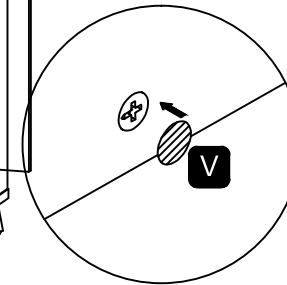
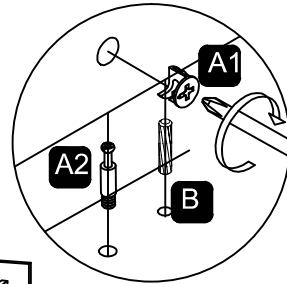
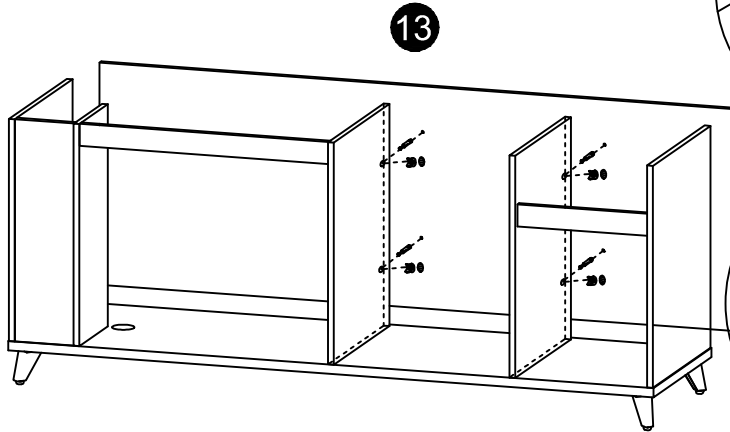






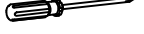
SCREWS	
A1	∅15*11.5
	X 4
A2	∅15*11.5
	X 4
B	∅8*30
	X 4
V	
	X 4



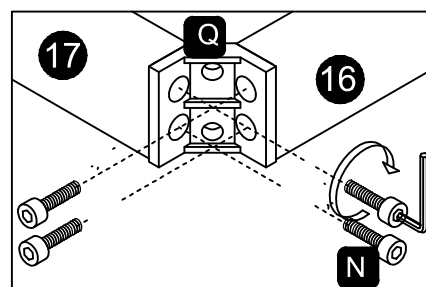
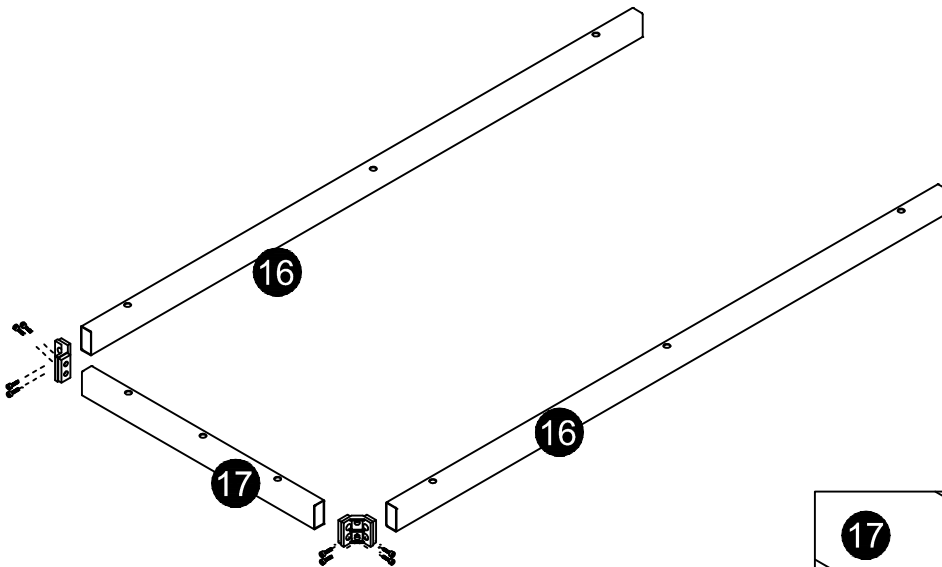
Assembly Steps




7

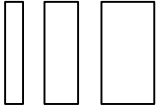


SCREWS	
A1	∅15*11.5
	X 4
A2	∅15*11.5
	X 4
B	∅8*30
	X 4
V	
	X 4
	

8

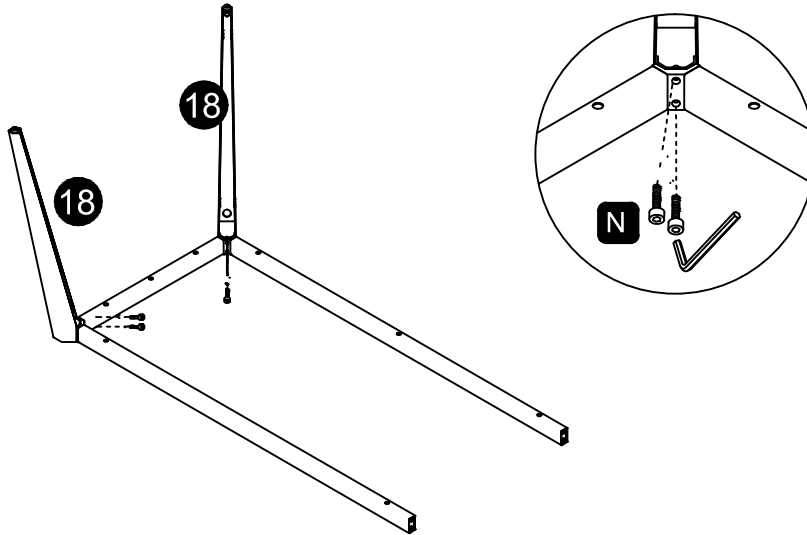




SCREWS	
N	
	X 8
Q	
	X 2
	



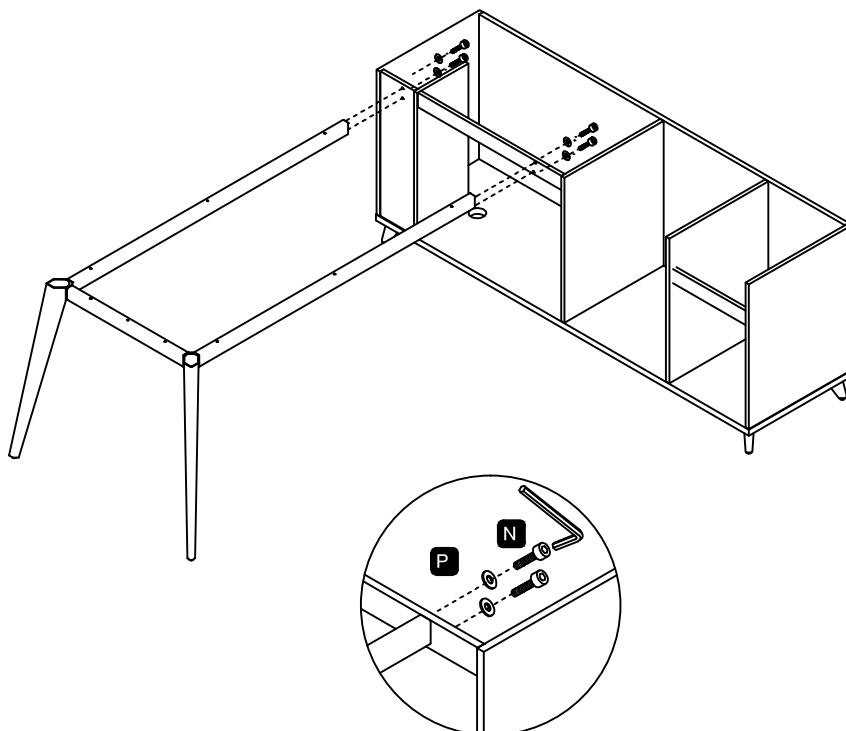
■ Assembly Steps




9

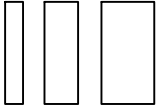


■ SCREWS	
N 	X 4
	

10

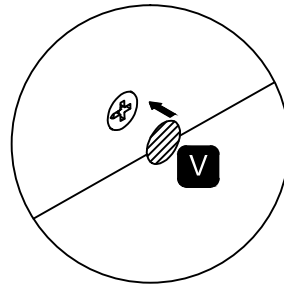
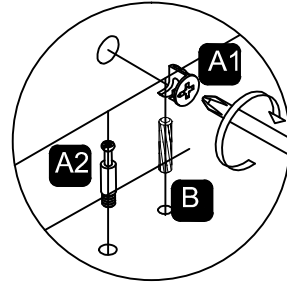
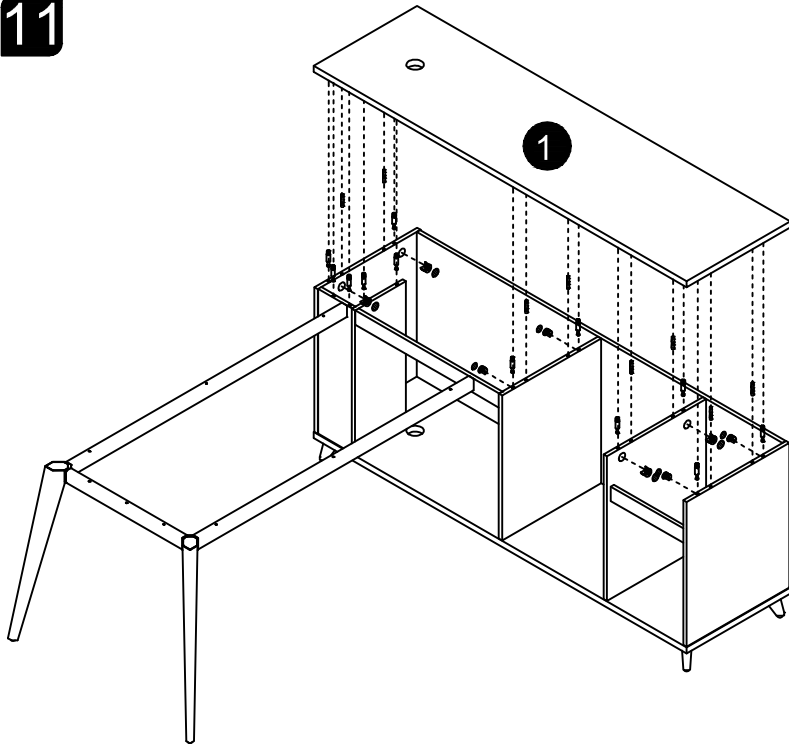


■ SCREWS	
N 	X 4
P 	X 4
	



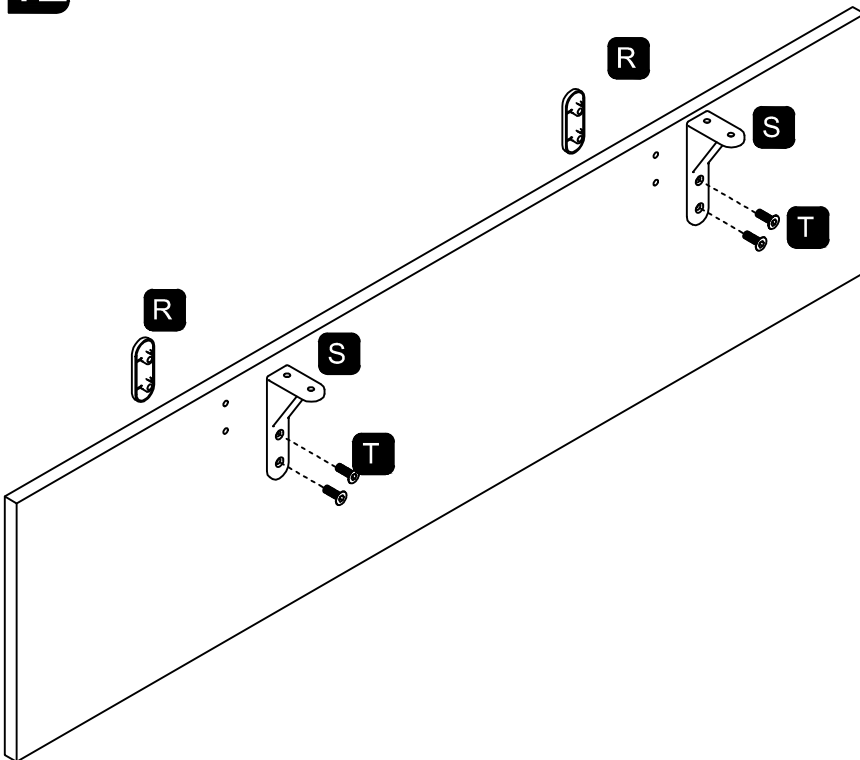
Assembly Steps

11

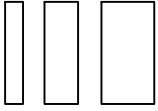


SCREWS	
A1	∅15*11.5
	X 16
A2	∅15*11.5
	X 16
B	∅8*30
	X 8
V	
	X 16

12

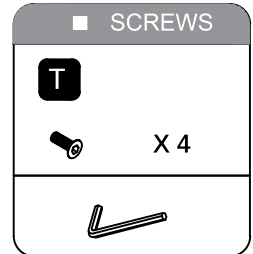
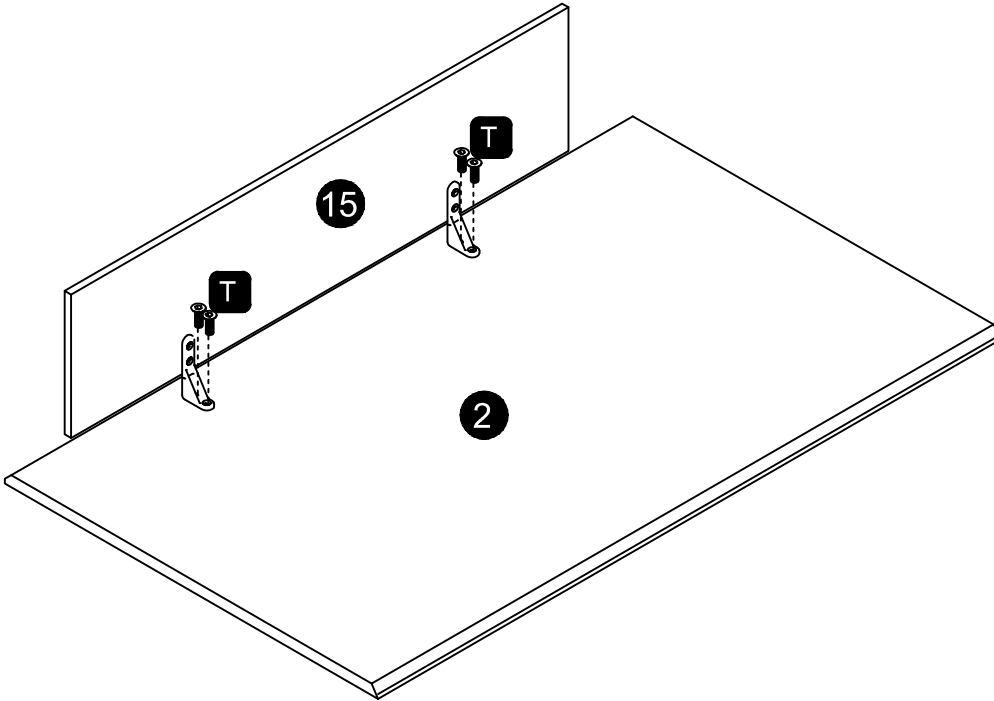


SCREWS	
R	
	X 2
S	
	X 2
T	
	X 4

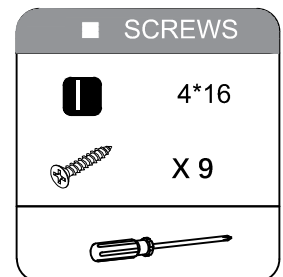
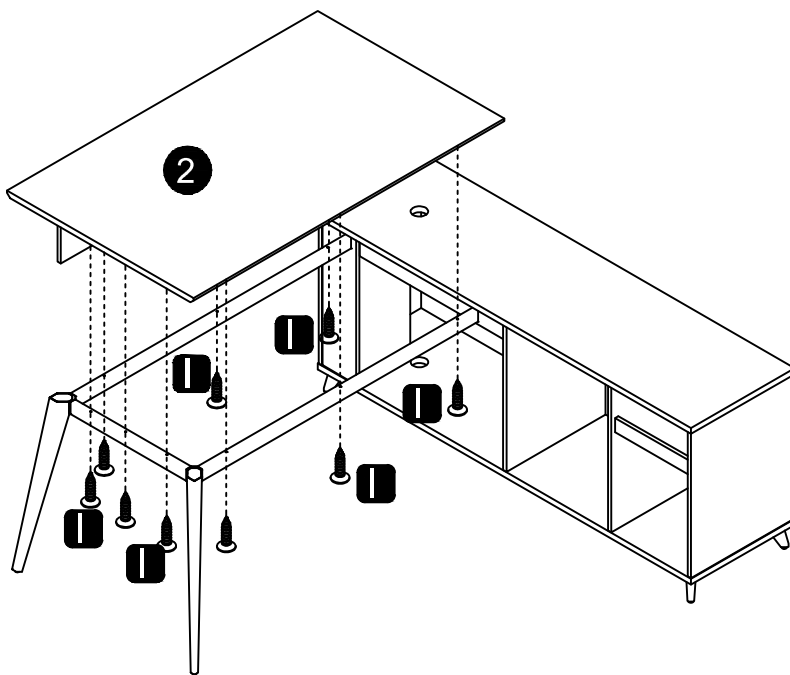


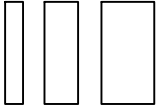
■ Assembly Steps

13



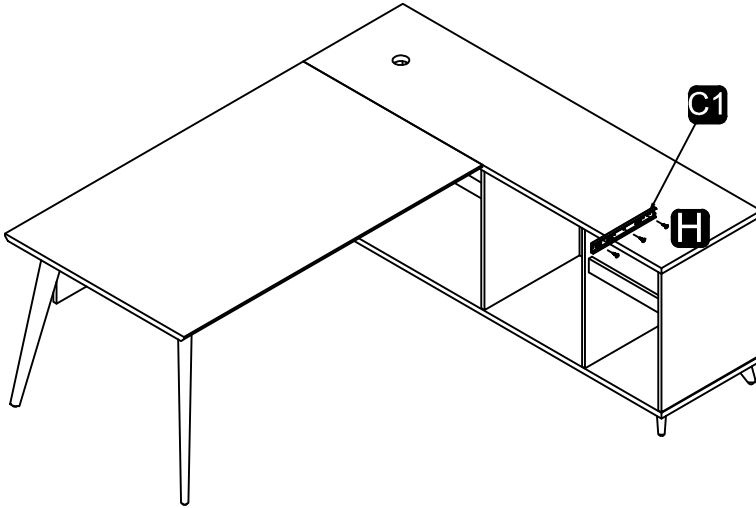
14



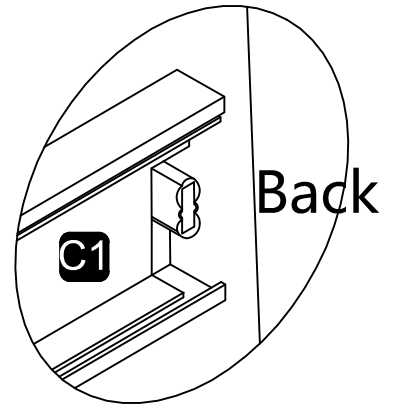


Assembly Steps

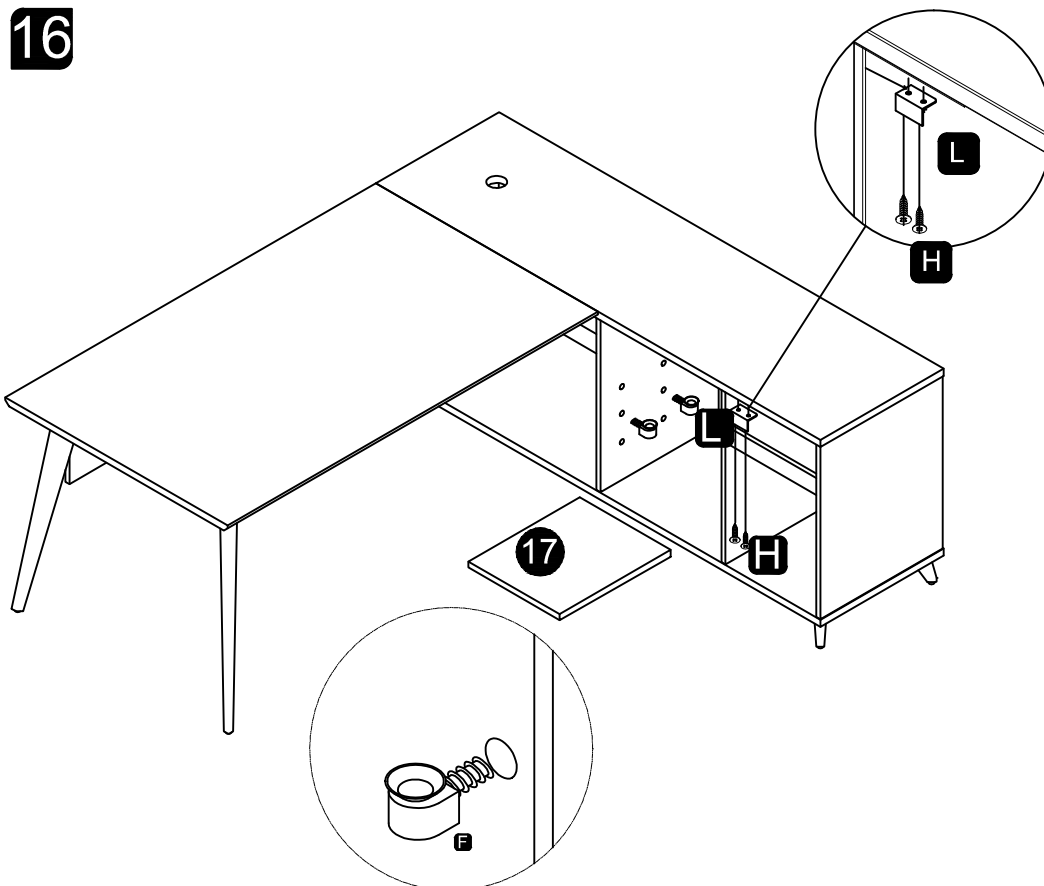
15



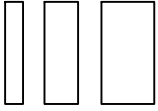
SCREWS	
H	3.5*12
	X 6
C1	12"
	X 2



16

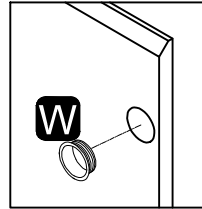
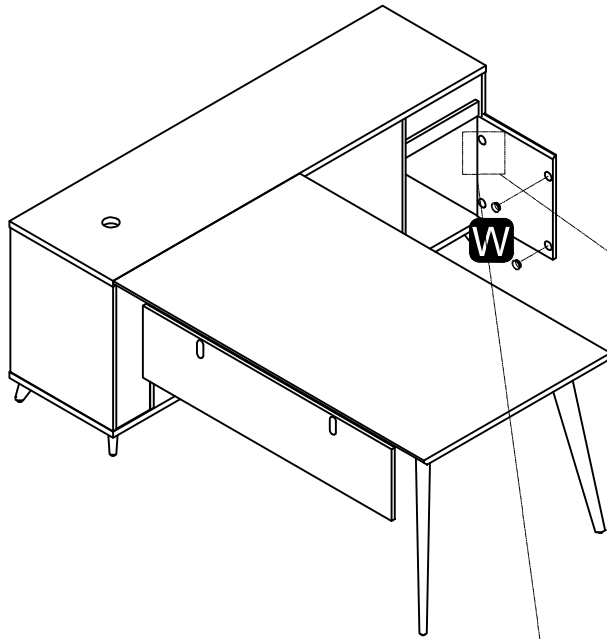


SCREWS	
H	3.5*12
	X 12
L	
	X 1
F	26*12*8
	X 4

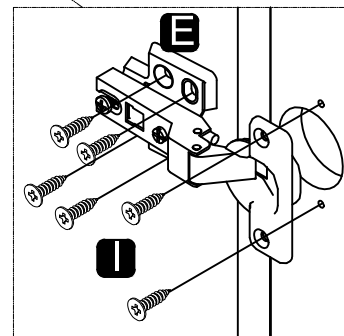


Assembly Steps

17

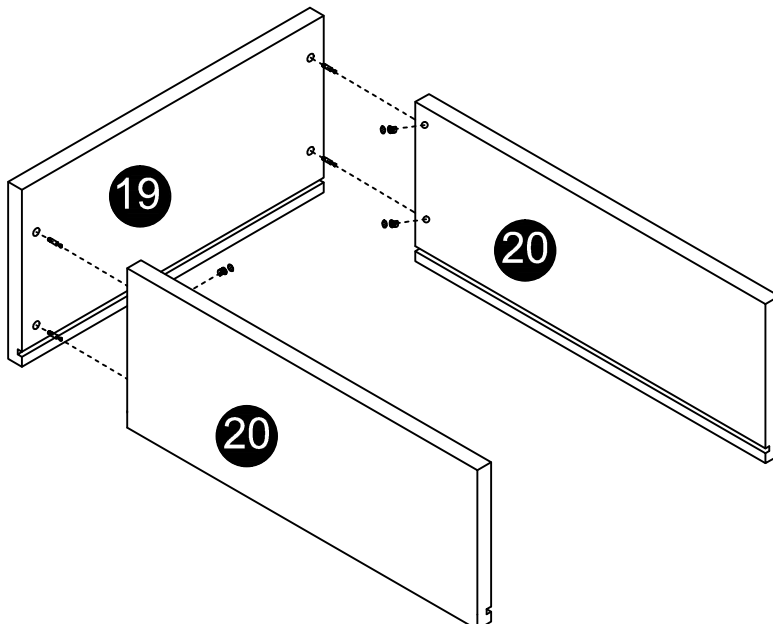


SCREWS	
E 	X 2
I 	4*16
	X 12
W 	X 2

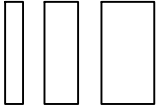


- 1.The side edge of door keep closed with the edge of side board.
- 2.The bottom edge of door align at the bottom edge of side board.

18

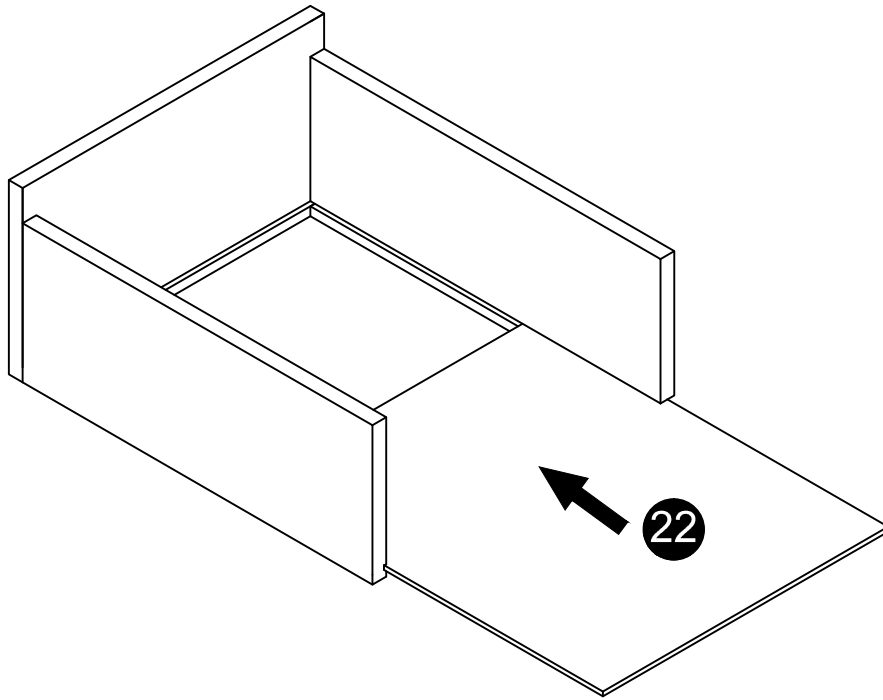


SCREWS	
A1 $\varnothing 15 \times 11.5$ 	X 4
A2 $\varnothing 15 \times 11.5$ 	X 4
V 	X 4

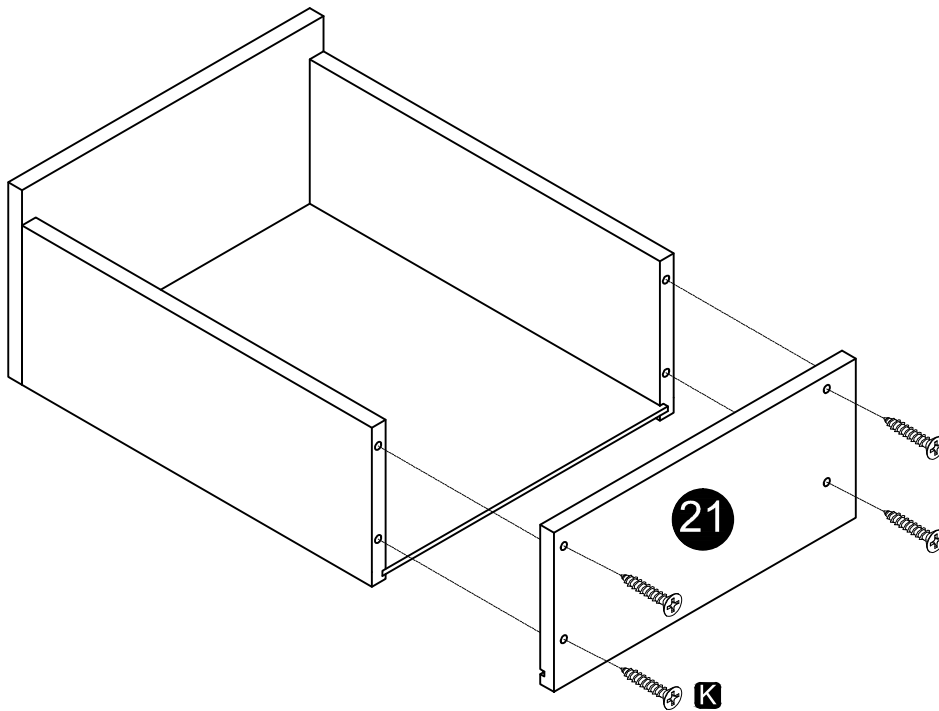



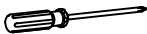
■ Assembly Steps

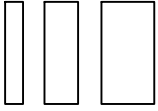
19



20

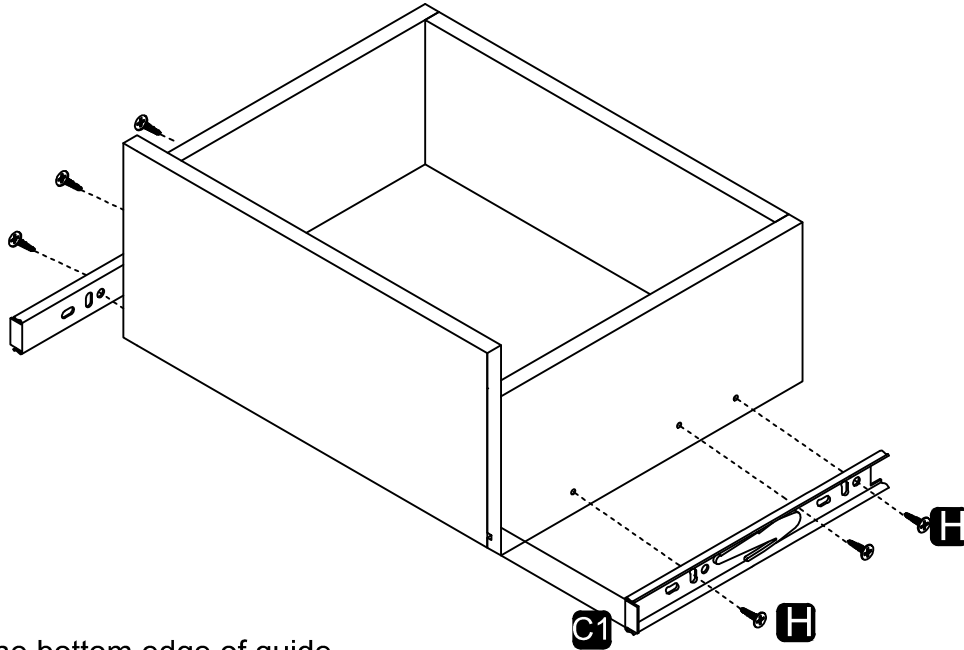


■ SCREWS	
K	3.5*35
	X 4
	



■ Assembly Steps

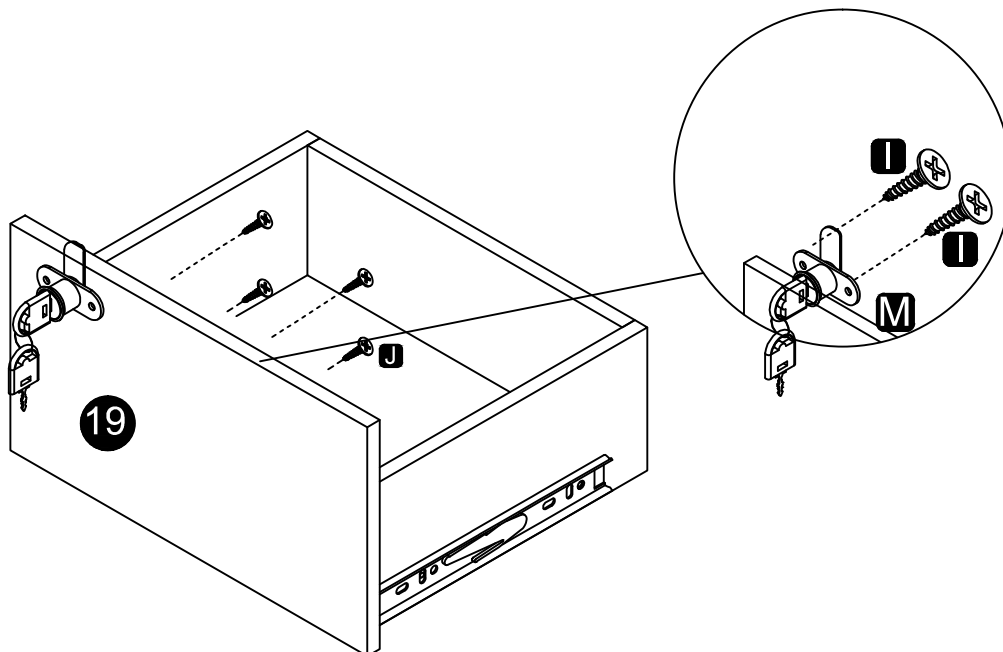
21



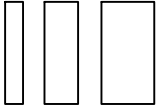
■ SCREWS	
	3.5*12
	X 6
	X 2

- 1.The bottom edge of guide rail should align at the bottom edge of the side board.
- 2.The end of the guide rail align at the frond board.

22



■ SCREWS	
	4*30
	X 4
	4*16
	X 2
	X 1

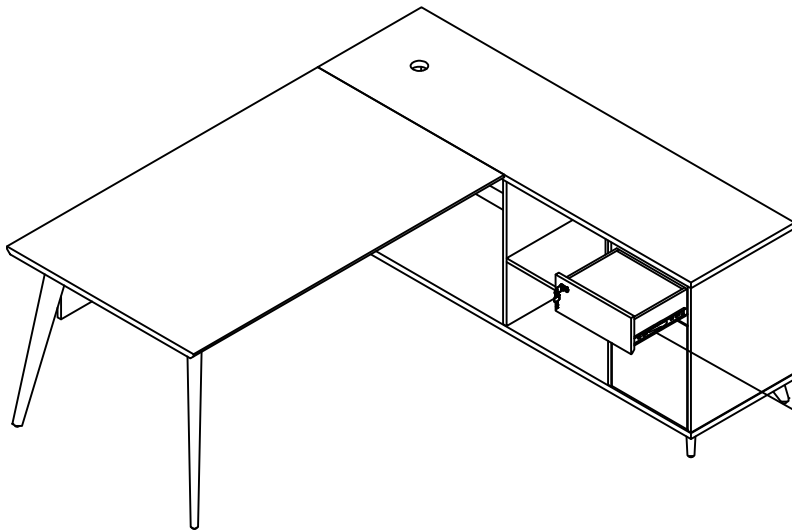


DG01-D0114LQ

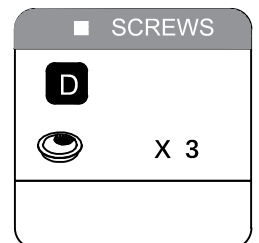
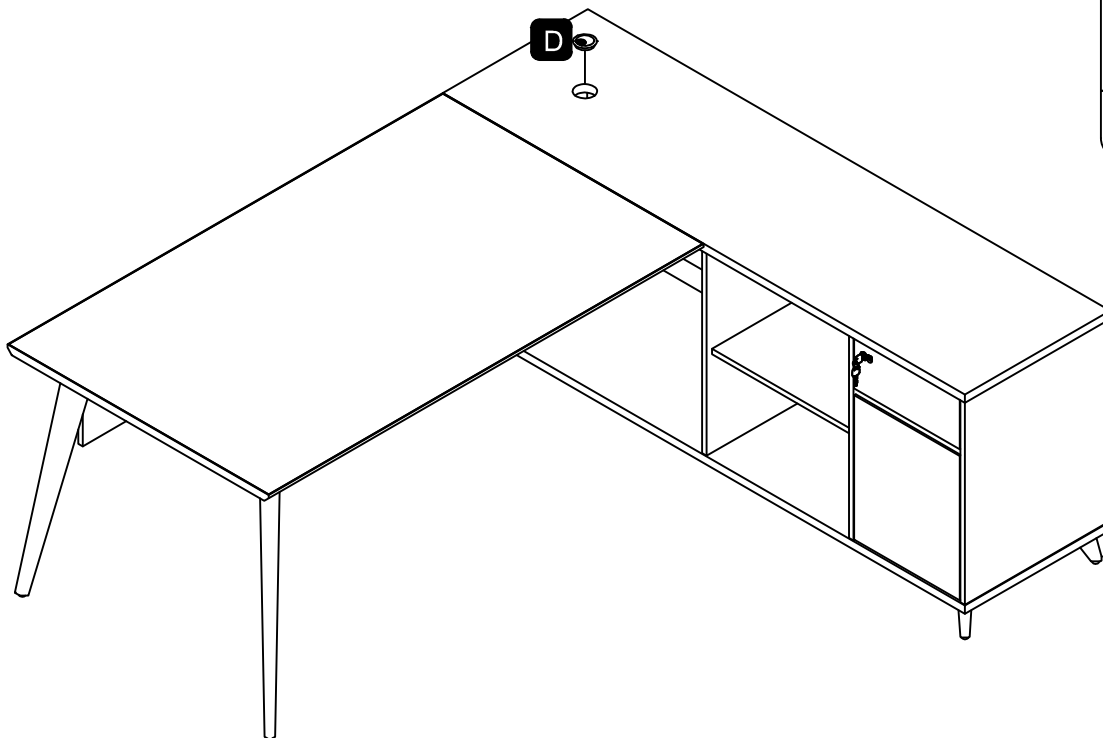
P.18

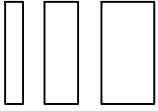
■ Assembly Steps

23



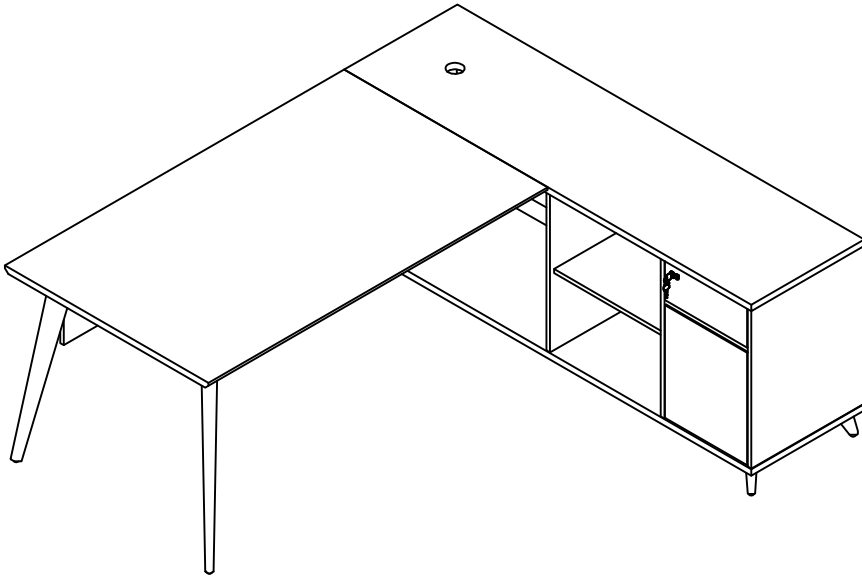
24



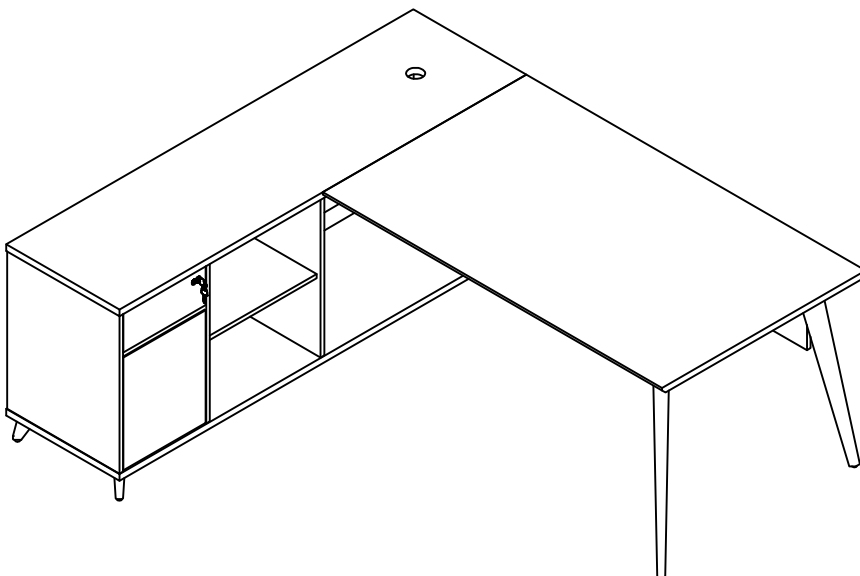


■ Assembly Steps

1. Right side return executive desk



2. Left side return executive desk



FINAL NOTE:

Do not drag the furniture as this may cause damage to the legs. Instead, ask at least 2 persons to lift carefully with caution from either end.

IMPORTANT: CARE GUIDE FOR YOUR MELAMINE BOARD FURNITURE

Please read up on important information regarding your furniture.

- Dust frequently with a clean damp, lint , free cloth.
- Avoid using chemicals or solvents when cleaning the furniture.
- Do not place hot objects on any furniture surface.
- Avoid exposing your furniture to strong sunlight.
- Do not expose your furniture to any liquids.
- Do not allow sharp or rough object scratch the surface of furniture.
- When moving furniture, do not drag it across the floor.